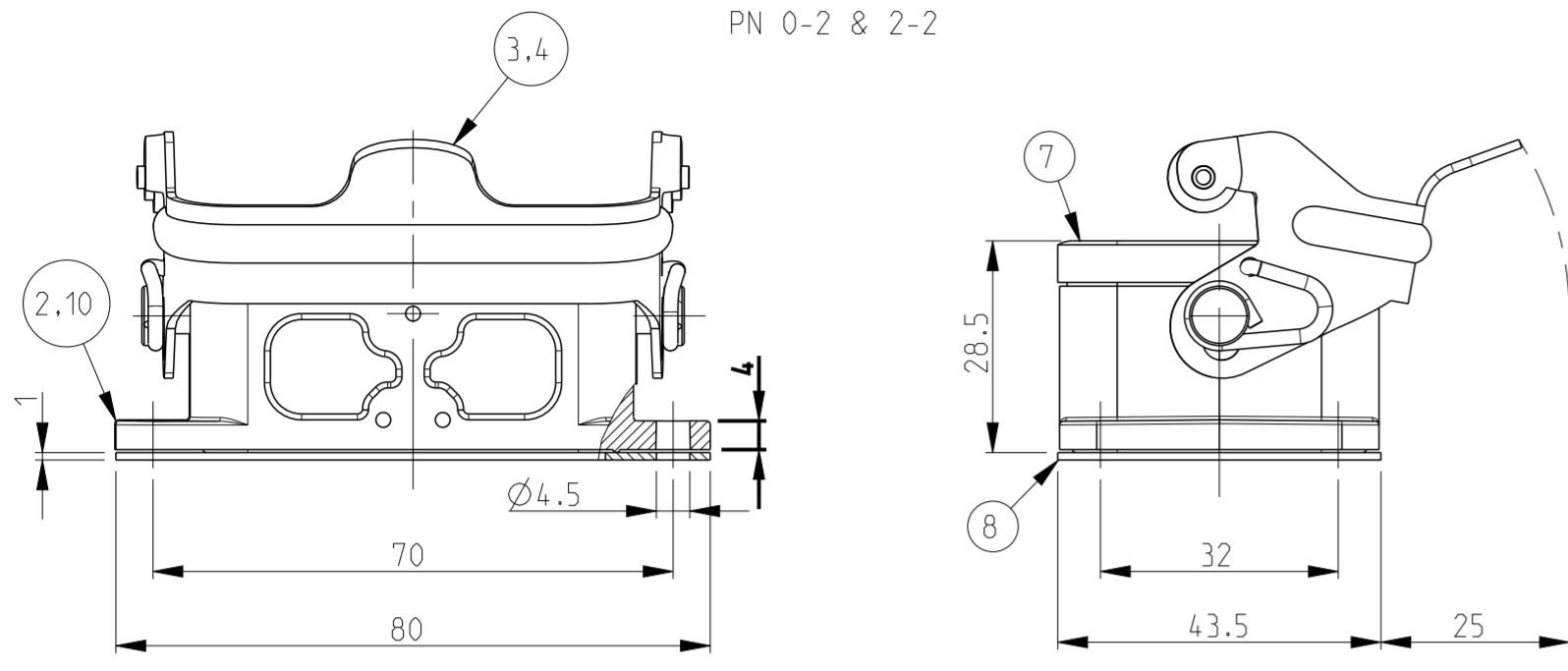


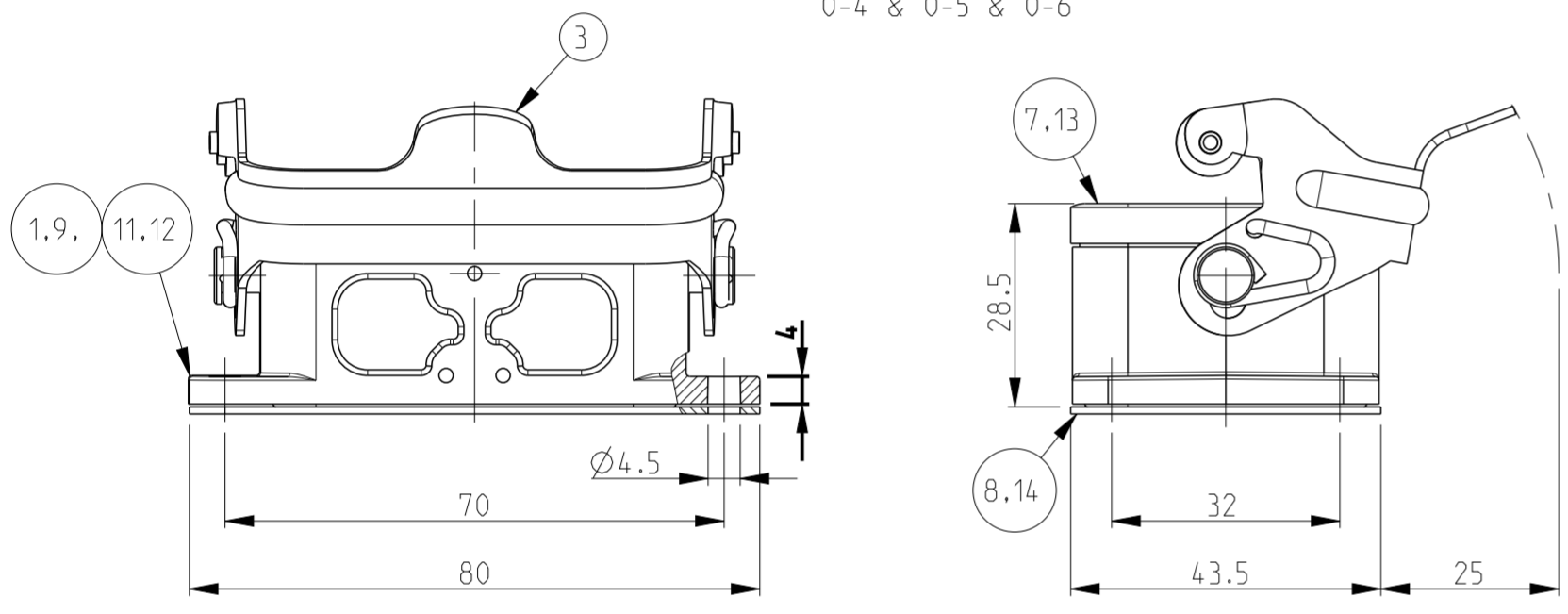
THIS DRAWING IS UNPUBLISHED. RELEASED FOR PUBLICATION .1997
 © COPYRIGHT 1997 BY - ALL RIGHTS RESERVED.

REVISIONS					
P	LTR	DESCRIPTION	DATE	DWN	APVD
B1		ECR-16-015318	16AUG2017	GR	MKO
B2		ECR-16-016768	15NOV2017	GR	MKO
B3		ECR-17-013084	28MAR2018	SG	MKO
B4		ECR-21-123293	19FEB2022	RK	JB

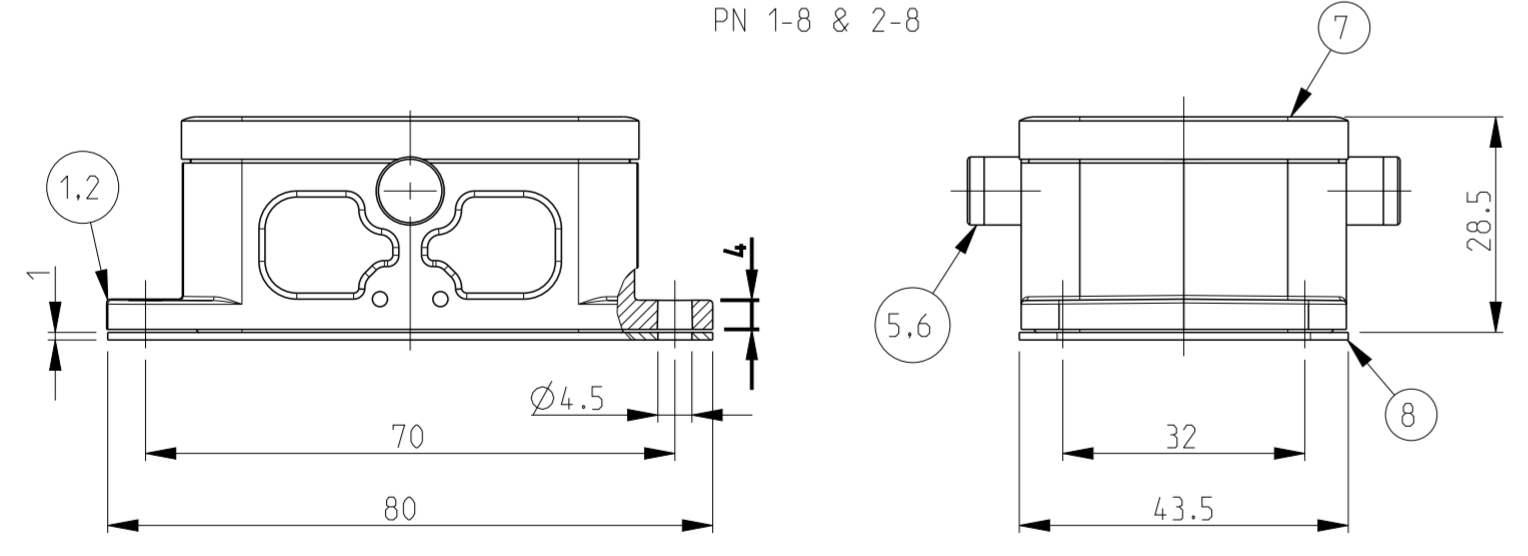
PN 0-2 & 2-2



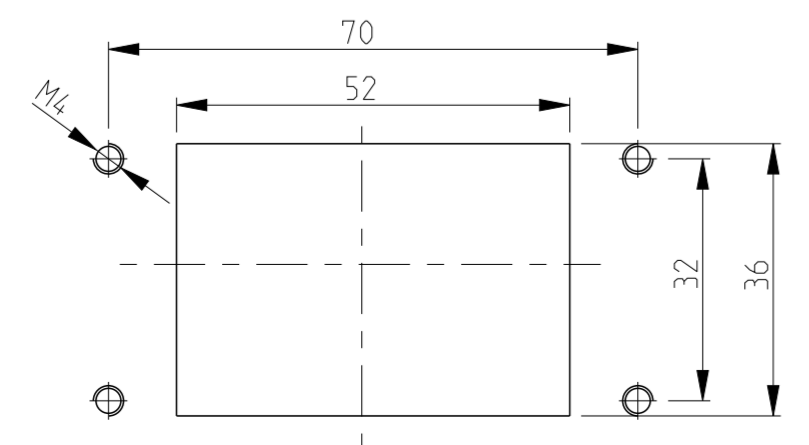
PN 1-2,0-1,0-3,0-4 & 0-5 & 0-6



PN 1-8 & 2-8

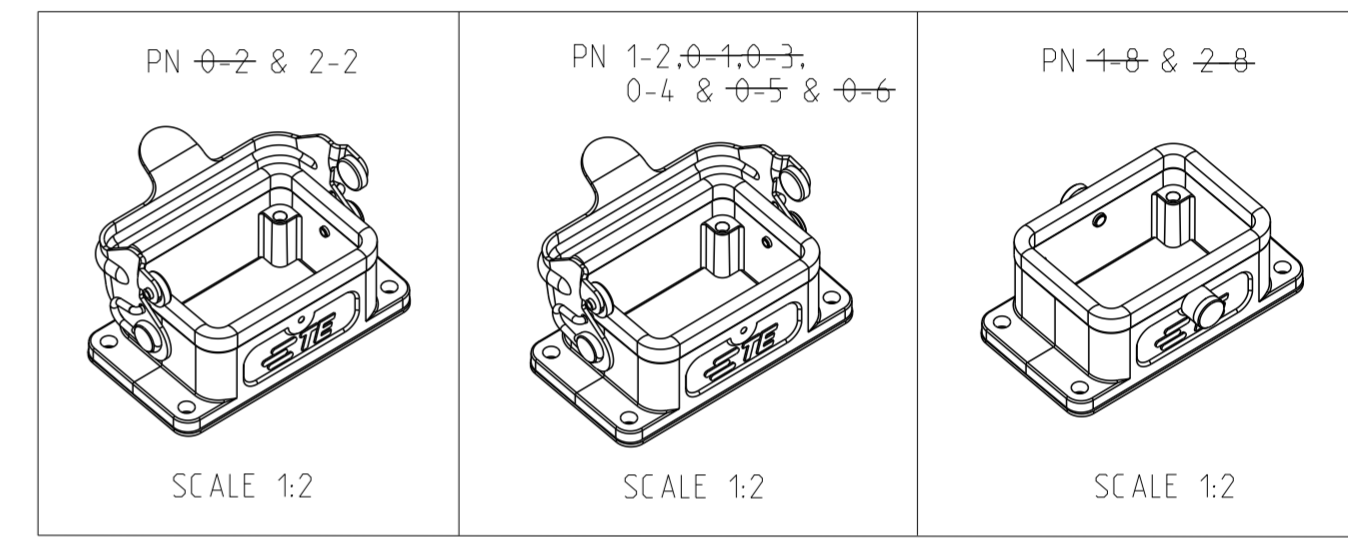


Panel cut-out



NOTES.

- 1 Material:Housing:Aluminium Diecasting Alloy
Seals: Neoprene
- 2 Surface-Varnish Grey
-Aluminium Oxide +
Varnish Black
- 3 Varnish on the inside not necessary
- 4 Packaging
Quantity 5 Pieces in a box



QTY	DESCRIPTION	MATERIAL	SURFACE	COLOR	ITEM NO	NOTES
1	Flange seal	Viton			14	
1	Profile seal	Viton			13	
1	Surface mounted housing bottom entry HB	Aluminium		White RAL 9010	12	Without Logo
1	Surface mounted housing bottom entry HB	Aluminium		Grey	11	Without Logo
1	Surface mounted housing bottom entry HB	Aluminium		Without varnish	10	
1	Surface mounted housing bottom entry HB	Aluminium		Borning ried	9	
1	Flange seal	Neoprene		Black	8	
1	Profile seal	Neoprene		Black	7	
2	ZB-Clip bolt	Stainless steel			6	
2	ZB-Clip bolt	Steel	Zinc plated	Blue	5	
1	LB-Side clip	Stainless steel			4	
1	LB-Side clip	Steel	Zinc plated	Blue	3	
1	Surface mounted housing bottom entry HB-K	Aluminium	Aluminium oxide	Black	2	
1	Surface mounted housing bottom entry HB	Aluminium		Grey	1	

ORDERING TEXT

- HB.6.AG-LB
- HB-K.6.AG-LB
- HB-Z.6.AG-ZVGR
- HB-K/Z.6.AG-ZVGR
- HB.6.AG-LB
- HB.6.AG-LB
- HB.6.AG-LB
- HB.6.AG-LB.KM
- HB.6.AG-LB
- HB.6.AG-LB

THIS DRAWING IS A CONTROLLED DOCUMENT.

DWN: Schweiger 23.07.1997
 CHK: Kramer 26.06.1998
 APVD: Kramer

NAME: Surface mounted housing bottom entry HB6

PRODUCT SPEC: 108-74001/74003
 APPLICATION SPEC: 114-74004/74005

SIZE: A2 CAGE CODE: 00779 DRAWING NO: C-1102244 RESTRICTED TO: B4

SCALE: 1:1 SHEET: 1 OF 1