

- > high-strength jaws and tips bend and snap back into place
- > cross-hatched gripping surfaces, knurled
- > vanadium electric steel; forged, oil-hardened

**Style 1**  
Long, half-round jaws;  
serrated gripping surfaces

**Style 2**  
40° angled jaws

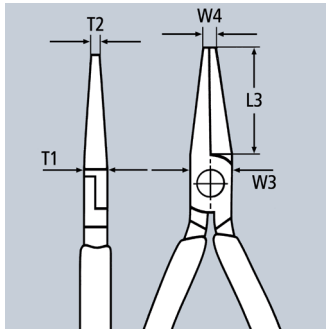
**Style 3**  
Curved tips

**Style 4**  
Long, trapezoidal jaws;  
serrated gripping surfaces

**Style 5**  
70° angled jaws; suitable for pulling  
cotter pins and for hard to reach areas

**Style 6**  
Double bent jaws

**Style 7**  
45° angled, half-round jaws; suitable  
for gripping spark plugs and round  
components



38 11 200  
⊖ ⊗



38 21 200  
∠40° ⊖ ⊗



38 31 200  
⊖ ⊗



38 41 190  
⊖ ⊗



38 71 200  
∠70° ⊖ ⊗



38 81 200 A  
⊖ ⊗



38 81 200 B  
⊖ ⊗



38 91 200  
∠45° ⊖ ⊗

Product Number	Packaging	↔ Inch mm	⊖ ⊗	Pliers	Head	Handles	Style	Dimensions					⚖ lbs
								L3 Inch mm	W3 Inch mm	T1 Inch mm	W4 Inch mm	T2 Inch mm	
38 11 200		8 200	⊖ ⊗	black atramentized	polished	plastic coated	1	2 7/8 73.0	11/16 17.5	3/8 9.5	1/8 3.0	3/32 2.5	0.40
38 21 200		8 200	∠40° ⊖ ⊗	black atramentized	polished	plastic coated	2	2 7/8 73.0	11/16 17.5	3/8 9.5	1/8 3.0	3/32 2.5	0.39
38 31 200		8 200	⊖ ⊗	black atramentized	polished	plastic coated	3	2 7/8 73.0	11/16 17.5	3/8 9.5	1/8 3.0	3/32 2.5	0.39
38 41 190		7 1/2 190	⊖ ⊗	black atramentized	polished	plastic coated	4	1 31/32 50.0	45/64 18.0	5/16 8.0	5/32 4.0	5/16 8.0	0.33
38 71 200		8 200	∠70° ⊖ ⊗	black atramentized	polished	plastic coated	5	2 7/8 73.0	11/16 17.5	3/8 9.5	1/8 3.0	5/64 2.0	0.40
38 81 200 A		8 200	⊖ ⊗	black atramentized	polished	plastic coated	6	2 3/4 69.0	45/64 18.0	3/8 9.5	1/8 3.0	3/32 2.5	0.39
38 81 200 B		8 200	⊖ ⊗	black atramentized	polished	plastic coated	6	2 3/64 62.0	45/64 18.0	3/8 9.5	1/8 3.0	3/32 2.5	0.39
38 91 200		8 200	∠45° ⊖ ⊗	black atramentized	polished	plastic coated	7	2 7/8 73.0	11/16 17.5	3/8 9.5	-	3/32 2.5	0.39