

**MODEL:** CMS-3520-18N | **DESCRIPTION:** SPEAKER**FEATURES**

- micro-speaker
- 85 dB
- rated 1.0 W

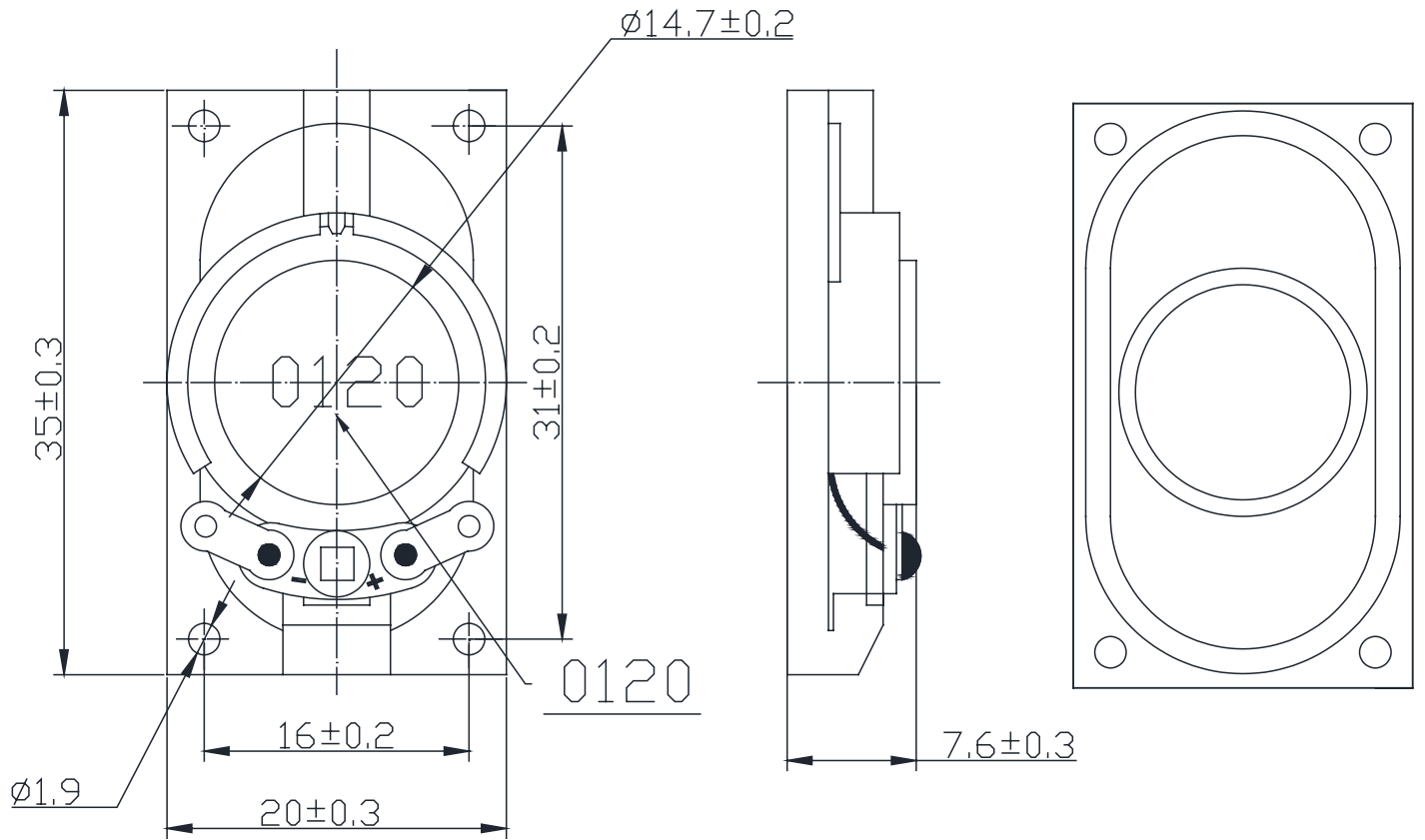
**SPECIFICATIONS**

parameter	conditions/description	min	typ	max	units
input power	max power: 50 second on, 120 seconds off, 10 cycles		1.0	1.5	W
impedance	at 2.0 kHz, 1.0 V	6.8	8	9.2	$\Omega$
resonant frequency (Fo)	at 1.0 V	560	700	840	Hz
frequency response		F0		10,000	Hz
sound pressure level	at 1.0 W, 50 cm, avg at 0.8, 1.0, 1.2, 1.5 kHz	82	85	88	dB
	at 1.0 W, 10 cm, avg at 0.8, 1.0, 1.2, 1.5 kHz	95	98	101	dB
distortion	at 1.0 kHz, rated power			10	%
buzz, rattle, etc.	must be normal at sine wave, frequency range			2.83	V
polarity	cone moves forward w/ positive dc current to "+" terminal				
dimensions	35 x 20 x 7.6				mm
magnet	Nd-Fe-B				
frame material	ABS				
cone material	cloth				
terminal	solder terminals				
weight			5.8		g
operating temperature		-20		60	$^{\circ}\text{C}$
storage temperature		-30		70	$^{\circ}\text{C}$
hand soldering	for maximum 3 seconds	370	380	390	$^{\circ}\text{C}$
RoHS	yes				

Notes: 1. All specifications measured at 15-35 $^{\circ}\text{C}$ , humidity at 45-85%, under 86-106 kPa pressure, unless otherwise noted.

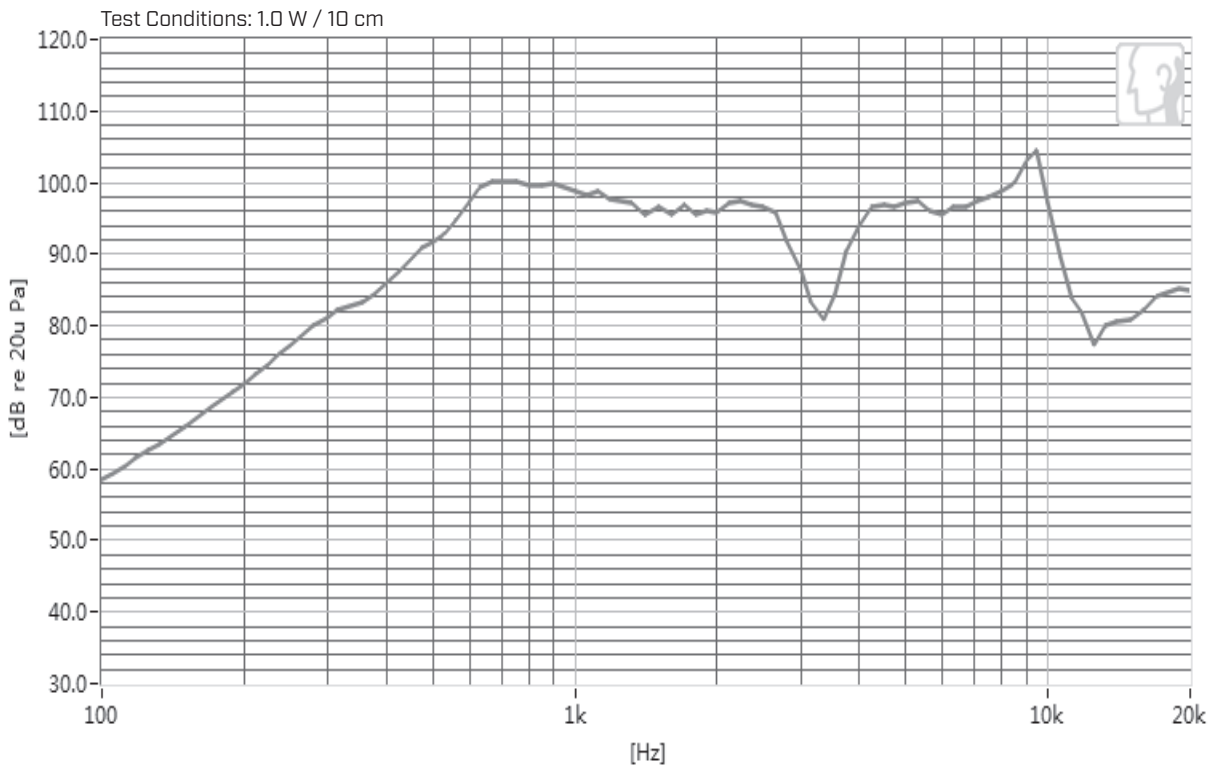
## MECHANICAL DRAWING

units: mm  
tolerance:  $\pm 0.3$  mm

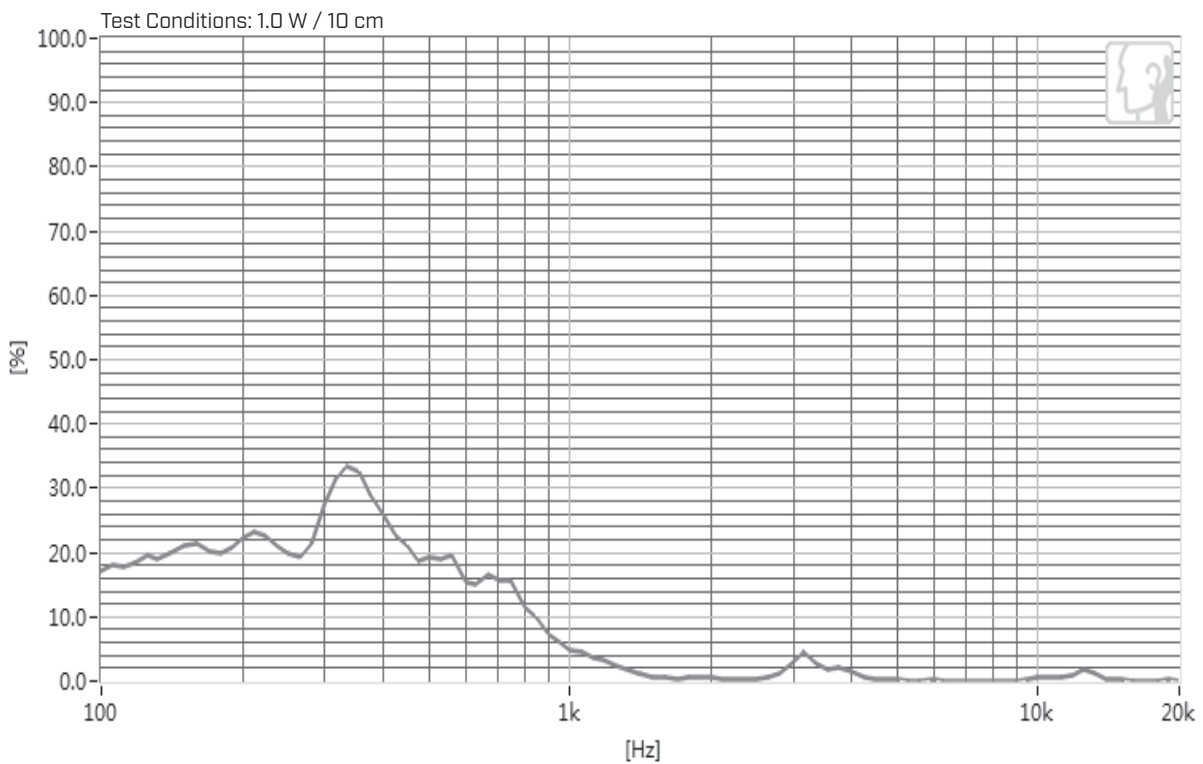


## RESPONSE CURVES

### Frequency Response Curve



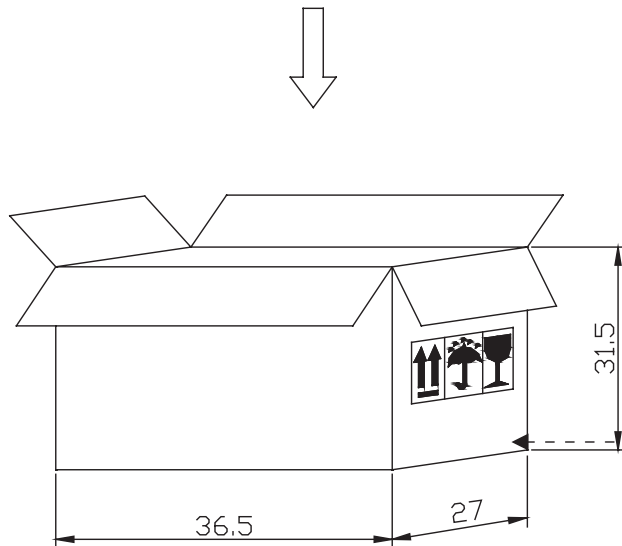
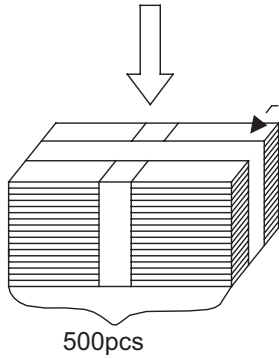
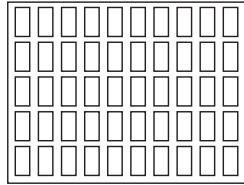
### Total Harmonic Distortion Curve



## PACKAGING

units: mm

Tray QTY: 50 pcs per tray  
 Carton Size: 365 x 270 x 315 mm  
 Carton QTY: 1,000 pcs per carton



Lot No.	XXXXXXXXXX
Part No.	CUI Inv#. CUI Part#.
Quantity.	XXXX Pcs
Date:	
DD MM YY	
MADE IN CHINA	

**RoHs Compliant**

## REVISION HISTORY

rev.	description	date
1.0	initial release	09/16/2020
1.01	logo, datasheet style update	08/05/2022

The revision history provided is for informational purposes only and is believed to be accurate.



CUI Devices offers a one (1) year limited warranty. Complete warranty information is listed on our website.

CUI Devices reserves the right to make changes to the product at any time without notice. Information provided by CUI Devices is believed to be accurate and reliable. However, no responsibility is assumed by CUI Devices for its use, nor for any infringements of patents or other rights of third parties which may result from its use.

CUI Devices products are not authorized or warranted for use as critical components in equipment that requires an extremely high level of reliability. A critical component is any component of a life support device or system whose failure to perform can be reasonably expected to cause the failure of the life support device or system, or to affect its safety or effectiveness.

[cuidevices.com](http://cuidevices.com)