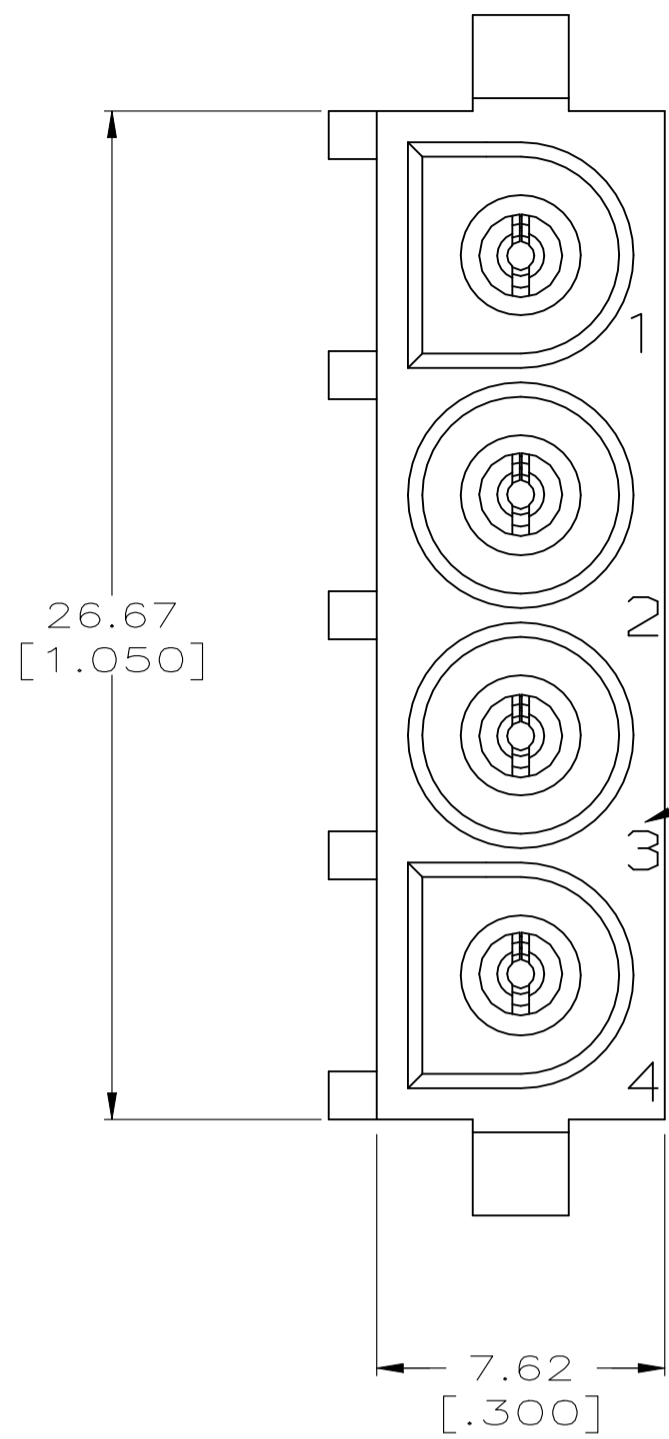
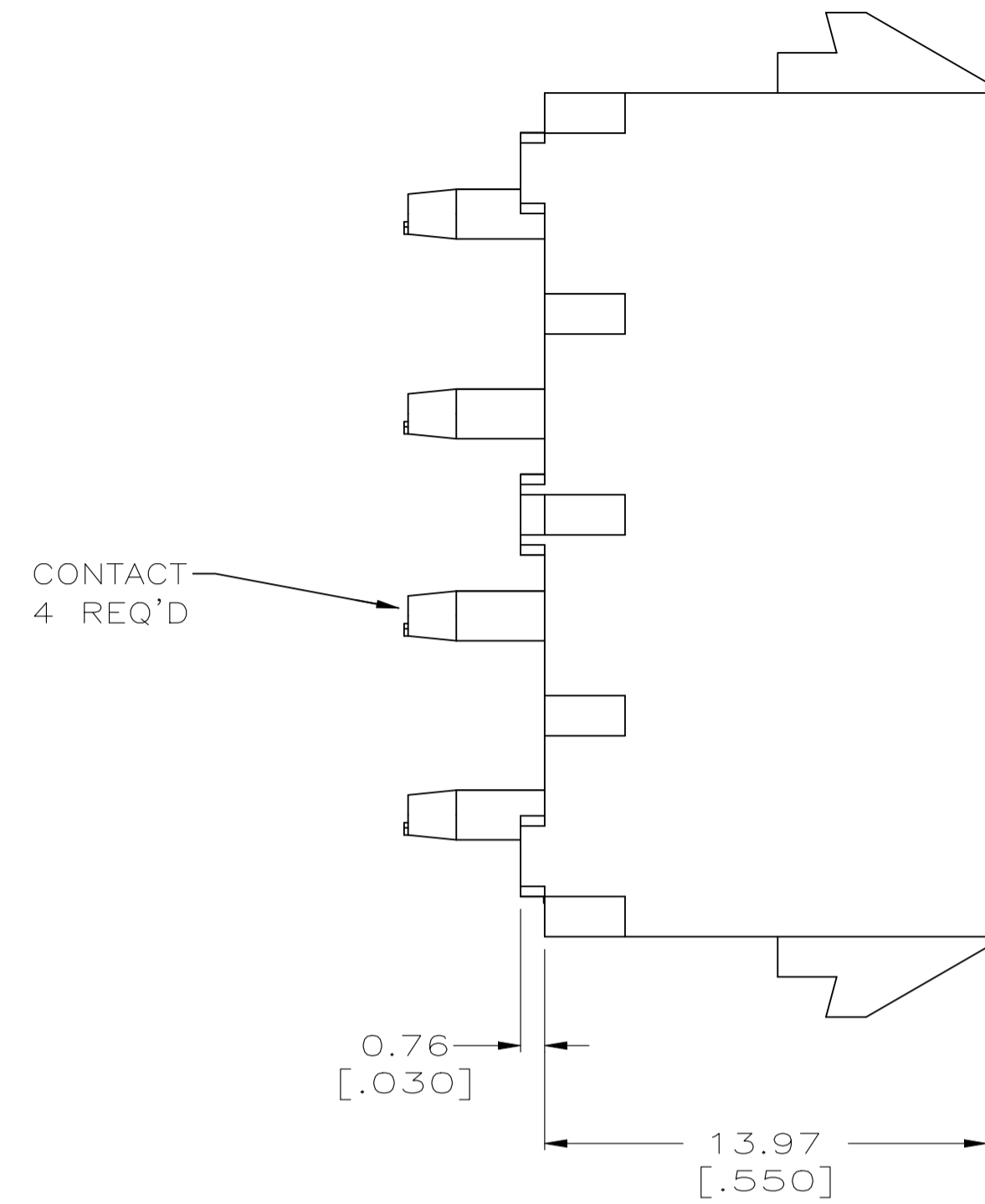
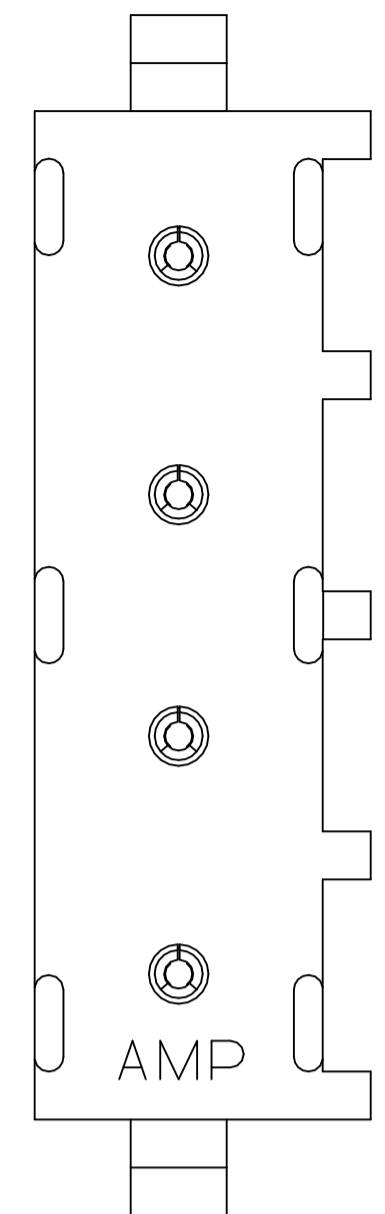
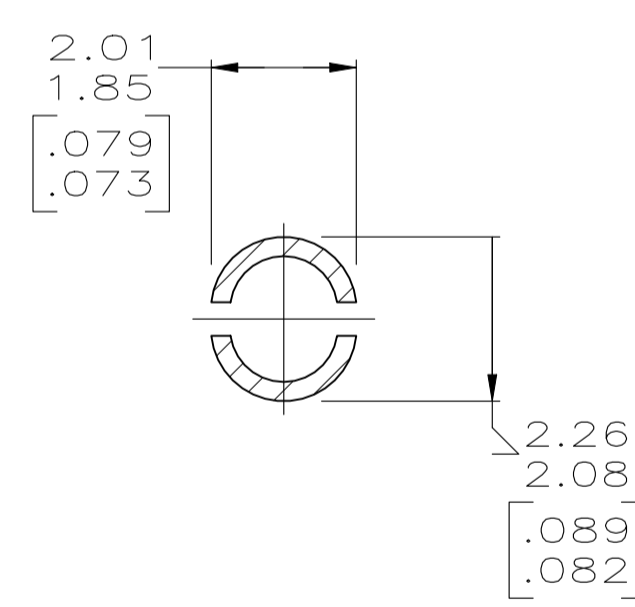
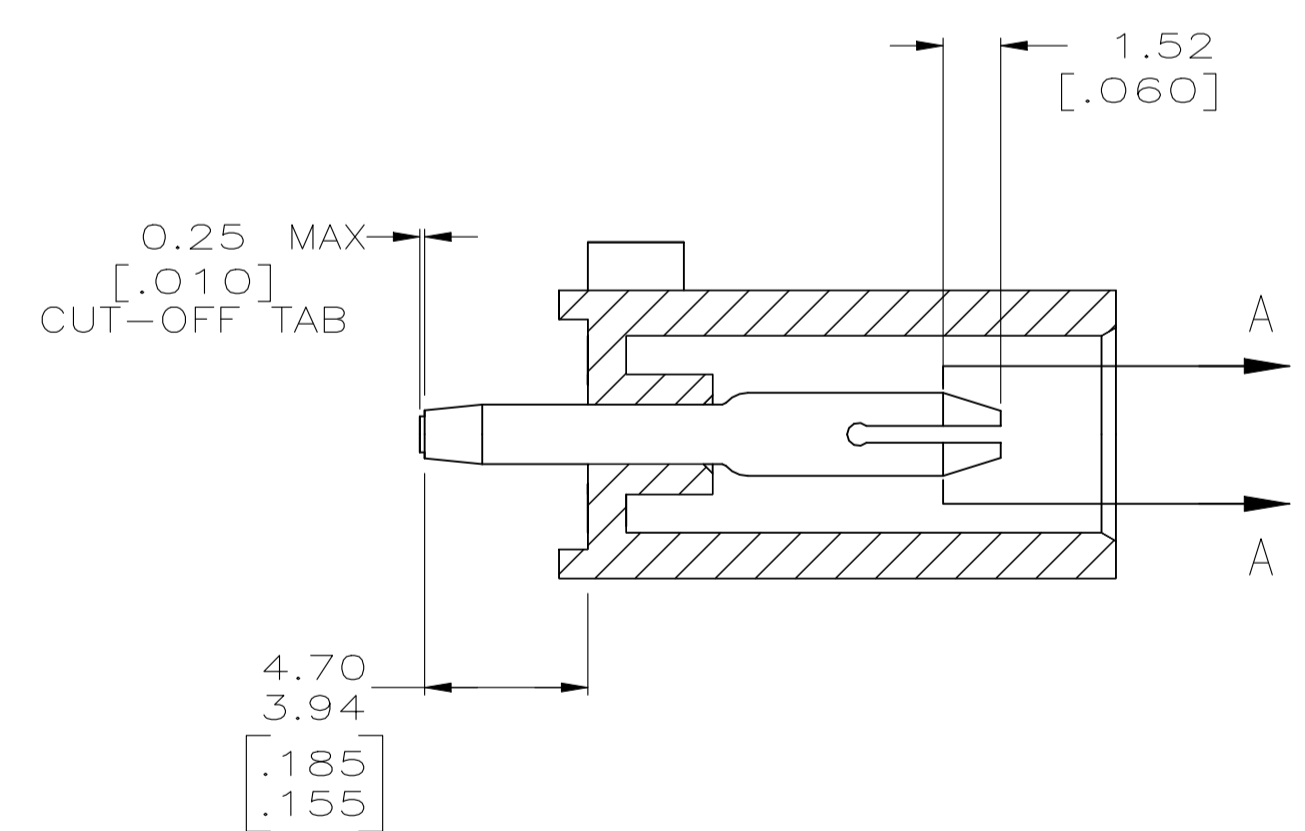


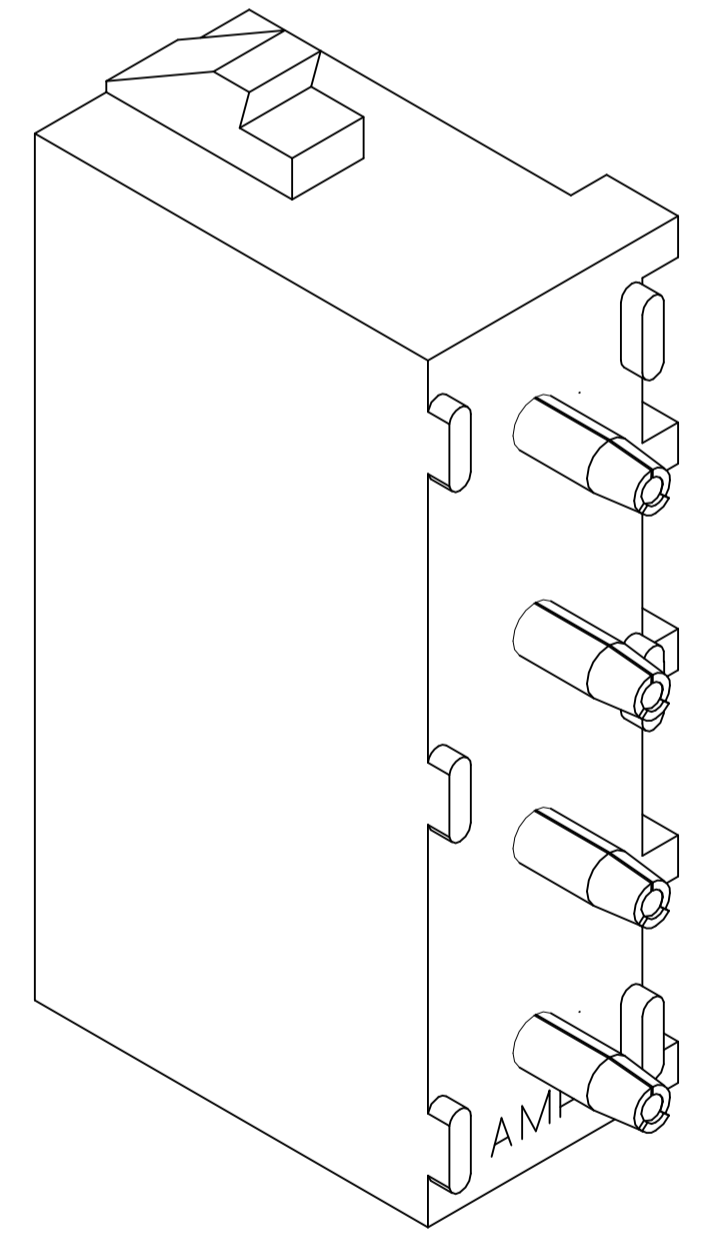
REVISIONS					
REV	DESCRIPTION	DATE	BY	CHK	APP'D
F1	REVISED PER ECR-21-117154	02AUG2022	SKR	VS	



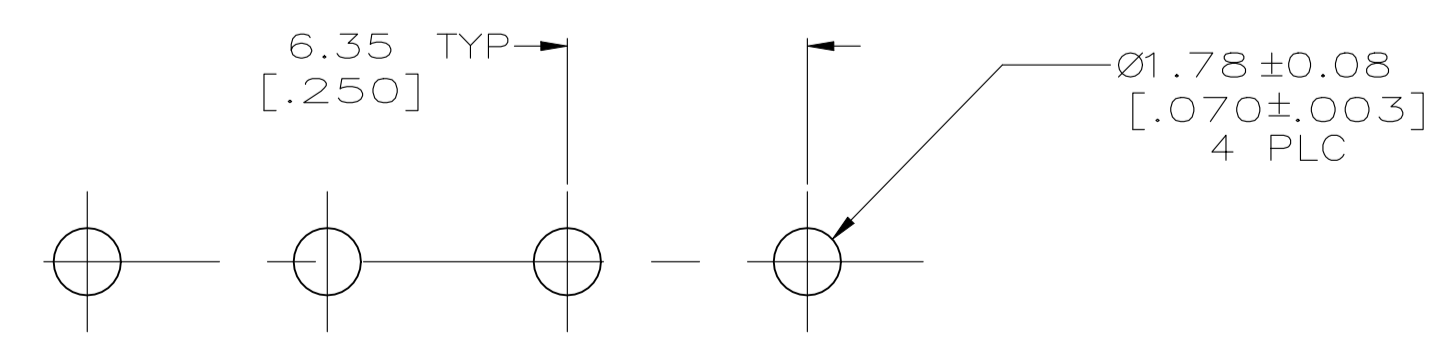
- PARTS COMPLY TO AMP SOLDERABILITY SPECIFICATION 109-11-3.
- CIRCUIT IDENTIFICATION CHARACTERS ARE ADJACENT TO THE INDICATED CAVITIES, BUT LOCATION AND ORIENTATION MAY DIFFER FROM PRINT.
- DIMENSIONS IN BRACKETS ARE IN INCHES.
- DIMENSION SHOWN REPRESENT PRODUCT IN DRY CONDITION. ADDITIONAL 2% GROWTH DUE TO END USE LOCATION MOISTURE ABSORPTION MAY OCCUR AND SHOULD BE ACCOUNTED FOR.



SECTION A-A
SCALE 10:1



3-DIMENSIONAL MODEL
NTS



RECOMMENDED MOUNTING HOLE PATTERN
FOR 1.57 [.062] THICK P.C. BOARD

PHOSPHOR BRONZE, PRE-TIN PIN CONTACT MATERIAL AND FINISH		NYLON, UL94-2, NATURAL HOUSING MATERIAL		770351-1 PART NO	
THIS DRAWING IS A CONTROLLED DOCUMENT.		DIN 10-05-98 R LEWIS R SWING M TRULL 10-05-98		NAME PIN HEADER ASSEMBLY, 4 CIRCUIT UNIVERSAL MATE-N-LOK	
DIMENSIONS: mm [INCHES]		TOLERANCES UNLESS OTHERWISE SPECIFIED: 0 PLC ± - 1 PLC ± - 2 PLC ± 0.13 [.005] [4.5] 3 PLC ± - 4 PLC ± - ANGLES ± 0° 30'		SIZE CAGE CODE DRAWING NO A1 00779 C=770351	
MATERIAL SEE TABLE		FINISH SEE TABLE		WEIGHT 0.000000 CUSTOMER DRAWING	
METRIC		SCALE 5:1		SHEET 1 OF 1 REV F1	