



MADE IN THE USA

### Product Description:

- Protection System - Glove and Bag
- Holds three boxes of gloves and one roll of individual-sized biohazard, linen, or garbage bags
- Two-way keyholes for wall mounting
- Quartz Beige ABS Plastic

### Primary Area for Product Usage:

- Anywhere personal protection equipment is needed

### Dispenses:

- Box(es) no larger than 5.25"W x 10.00"H x 3.75"D (13.3 cm x 25.4 cm x 9.5 cm)
- Rolls no larger than 10.00"W x Ø3.40" (25.4 cm x 8.6 cm)

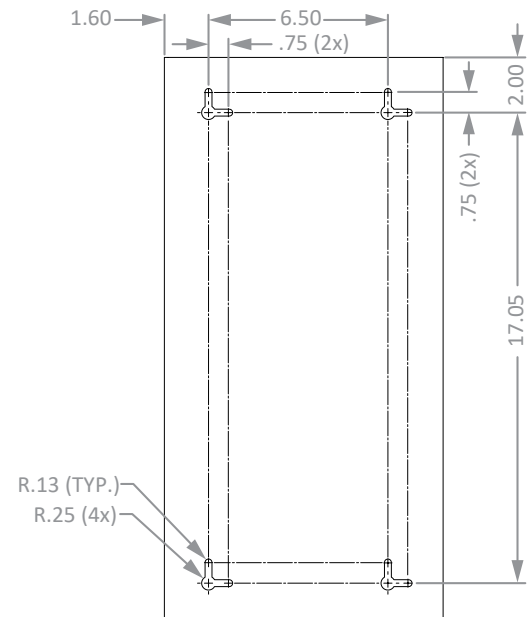
### Package Specifications:

- Package Quantity: 1 per case
- 21"W x 14"H x 10"D (53.3 cm x 35.6 cm x 25.4 cm)
- 9.0 lbs (4.1 kg) - approximated

### Product Specifications (overall external dimensions):

- 10.10"W x 20.40"H x 3.95"D (25.7 cm x 51.8 cm x 10.0 cm)
- 1.3 lbs (0.6 kg) - approximated

### Mounting Specifications:



### Related Products (each sold separately):

- PS004-0111: Protection System - Glove and Bag (shown below)

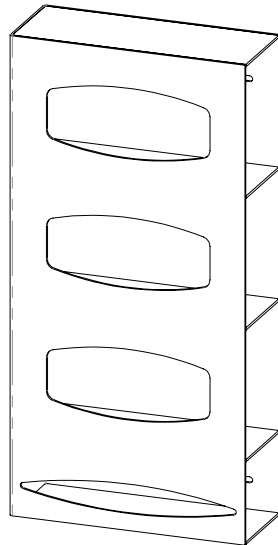




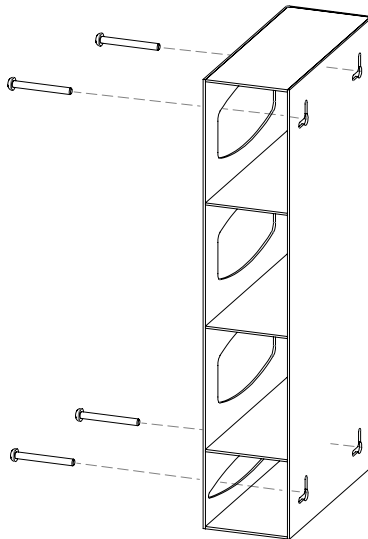
## Installation

Always mount dispensers securely *prior* to loading with product.

- Mountable either vertically or horizontally to fit space constraints.



- Mount securely to a wall with screws approved and supplied by building maintenance.



### Parts included:

- Dispenser

### Tools Required:

- No tools required to assemble dispenser

## Care and Construction

ABS Plastic

### Material Characteristics

#### Designed for Long-Term, Heavy-Duty Applications

The combination of copolymers (Acrylonitrile, Butadiene, and Styrene) gives ABS an excellent combination of strength, rigidity, and toughness. The fauxwood finish is ARVINYL laminate created from a semi-rigid film.

ABS is chemical and stress-crack resistant. It is tough, dimensionally stable, and will hold up to long-term use. To ensure product longevity, fauxwood products should not be mounted in very hot or cold areas.

### Care and Cleaning

Use mild soap and water to clean. Petroleum-based oils, solvents, and paints should not be used.

Standard hospital cleaning supplies are approved for use on our ABS plastic products.