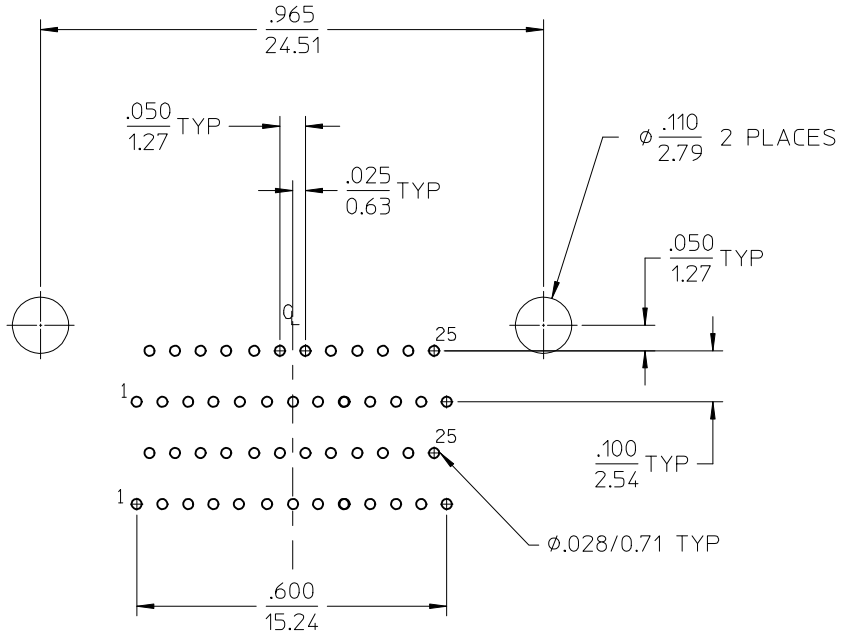
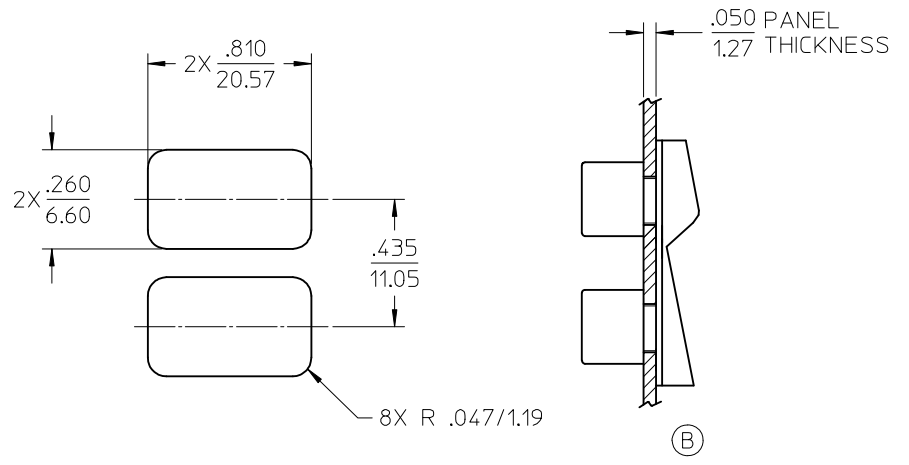


1. MARKING: NONE
2. SEE SHEET 2 FOR PCB LAYOUT AND PANEL CUT-OUT DIMENSIONS.
3. PART IS RoHS COMPLIANT

| | | | | | | | | |
|--|--------------------------------|--|---|--|-----------|--|---|--|
| REMOVE JACKPOST EC NO: IFC2017-0765 DR: MNRUPERT 2017/02/09 CHKD: WJUNG APPR: WJUNG 2017/04/28 | DESCRIPTION REMOVE JACKPOST | QUALITY SYMBOLS | GENERAL TOLERANCES (UNLESS SPECIFIED) | DIMENSION STYLE | SCALE | DESIGN UNITS | THIRD ANGLE PROJECTION | |
| | | $\nabla=0$ $\nabla=0$ | mm INCH 4 PLACES ± --- ± --- 3 PLACES ± --- ± .010 2 PLACES ± 0.25 ± .01 1 PLACE ± 0.25 ± --- ANGULAR ± 1/2° | IN/MM DRAWN BY DATE JLOMASTR 06/04/17 CHECKED BY DATE RDEROSS 06/04/17 APPROVED BY DATE RDEROSS 06/04/17 | NONE | INCH | TITLE COMMERCIAL MICRO D DUAL STACK SIZE 25/50 WITHOUT JACKPOSTS | |
| | | DRAFT WHERE APPLICABLE MUST REMAIN WITHIN DIMENSIONS | MATERIAL NO. | DOCUMENT NO. | SHEET NO. | MOLEX INCORPORATED SD-83619-013 1 OF 2 | | |
| | | SIZE B | 836199202 | SD-83619-013 | 1 OF 2 | | | |

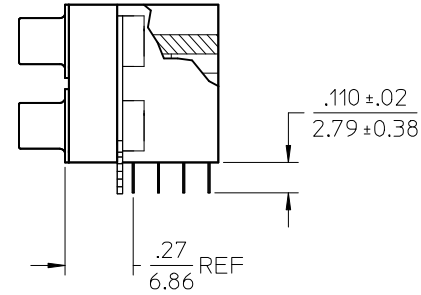
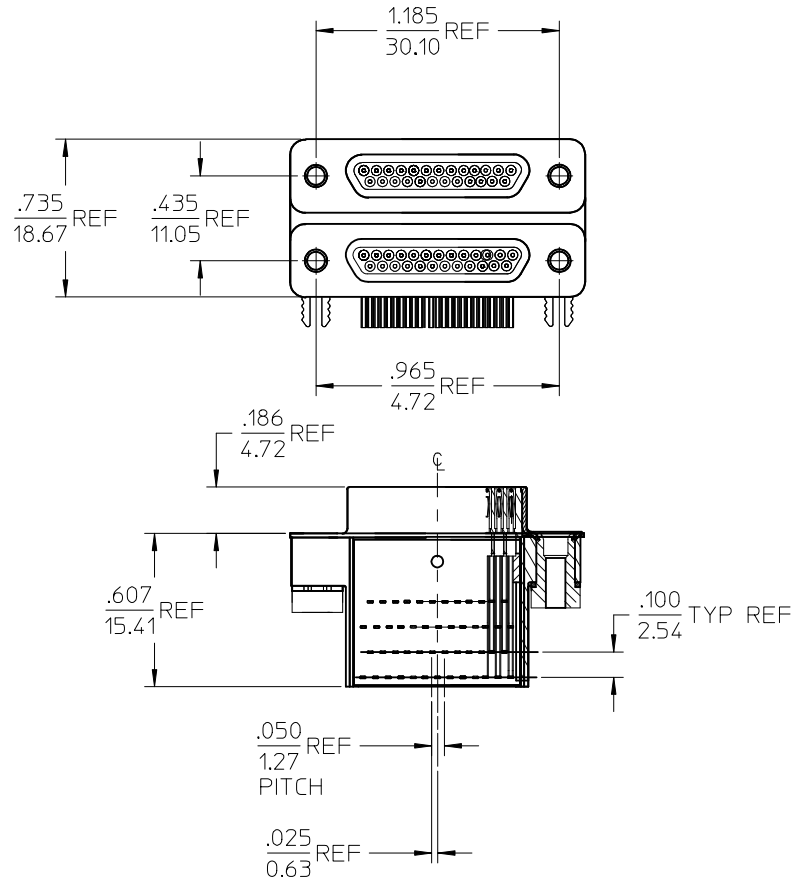


RECOMMENDED
P.C.B. LAY-OUT
SOLDER SIDE



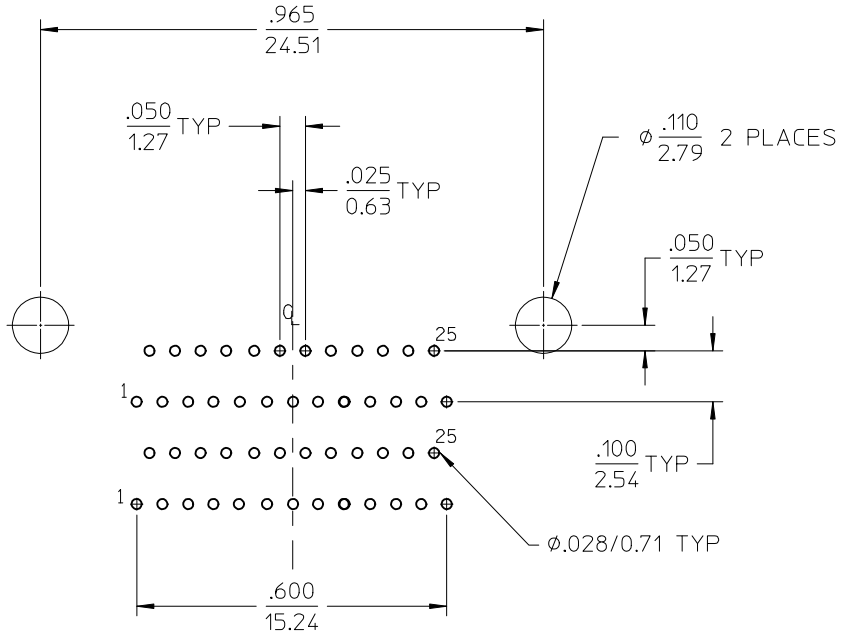
RECOMMENDED
PANEL CUT-OUT

| | | | | | | | | | |
|--|-------------------------------|--|--|------------------------------|---------------------|---|----------------------|------------------------|--|
| REMOVE JACKPOST EC NO: IFC2017-0765 DRAWN: BRUPERT 2017/02/09 CHKD: APPR: WLEUNG 2017/04/28 REV B | QUALITY SYMBOLS ▽=0 ▽=0 | GENERAL TOLERANCES (UNLESS SPECIFIED) | | DIMENSION STYLE IN/MM | | SCALE 1:1 | DESIGN UNITS INCH | THIRD ANGLE PROJECTION | |
| | | | mm INCH | DRAWN BY JLOMASTR | DATE 06/04/17 | TITLE COMMERCIAL MICRO D DUAL STACK SIZE 25/50 WITHOUT JACKPOSTS | | | |
| | | | 4 PLACES ± --- ± --- 3 PLACES ± --- ± .010 2 PLACES ± 0.25 ± .01 1 PLACE ± 0.25 ± --- | CHECKED BY RDEROSS | DATE 06/04/17 | | | | |
| | | | ANGULAR ±1/2° | APPROVED BY RDEROSS | DATE 06/04/17 | MOLEX INCORPORATED | | | |
| | | DRAFT WHERE APPLICABLE MUST REMAIN WITHIN DIMENSIONS | MATERIAL NO. 836199202 | DOCUMENT NO. SD-83619-013 | SHEET NO. 2 OF 2 | | | | |

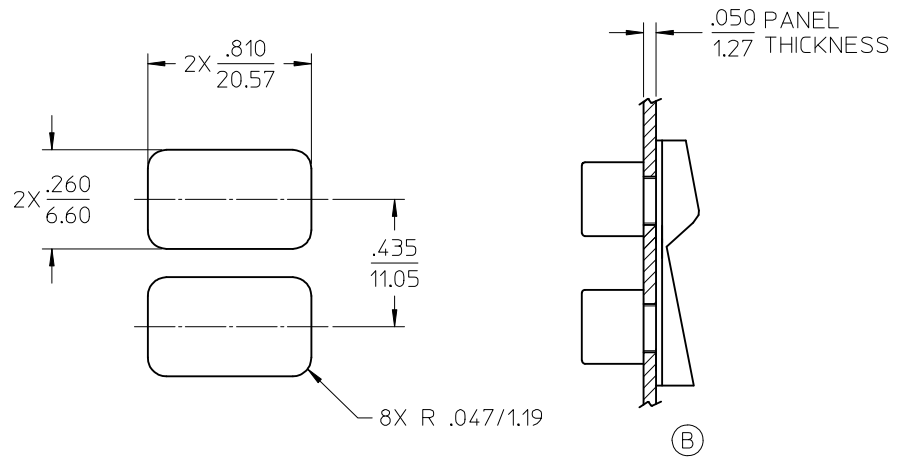


- MARKING: NONE
- SEE SHEET 2 FOR PCB LAYOUT AND PANEL CUT-OUT DIMENSIONS.
- PART IS RoHS COMPLIANT

| | | | | | | | | | |
|---|-------------------------------|---------------------------------------|---------|---|---------------------|--|----------------------|------------------------|--|
| REMOVE JACKPOST EC NO: IPG2017-0765 DR: MNRUPERT 2017/02/09 CHKD: APPR: WJLUNG 2017/04/28 B | QUALITY SYMBOLS ▽=0 ▽=0 | GENERAL TOLERANCES (UNLESS SPECIFIED) | | DIMENSION STYLE IN/MM | | SCALE NONE | DESIGN UNITS INCH | THIRD ANGLE PROJECTION | |
| | | 4 PLACES ± --- ± --- | mm INCH | DRAWN BY JLOMASTR | DATE 06/04/17 | TITLE COMMERCIAL MICRO D DUAL STACK SIZE 25/50 WITHOUT JACKPOSTS | | | |
| | | 3 PLACES ± --- ± .010 | | CHECKED BY RDEROSS | DATE 06/04/17 | | | | |
| | | 2 PLACES ± 0.25 ± .01 | | APPROVED BY RDEROSS | DATE 06/04/17 | MOLEX INCORPORATED | | | |
| 1 PLACE ± 0.25 ± --- | | MATERIAL NO. 836199202 | | DOCUMENT NO. SD-83619-013 | SHEET NO. 1 OF 2 | | | | |
| DRAFT WHERE APPLICABLE MUST REMAIN WITHIN DIMENSIONS | | ANGULAR ±1/2° | | THIS DRAWING CONTAINS INFORMATION THAT IS PROPRIETARY TO MOLEX INCORPORATED AND SHOULD NOT BE USED WITHOUT WRITTEN PERMISSION | | | | | |



**RECOMMENDED
P.C.B. LAY-OUT
SOLDER SIDE**



**RECOMMENDED
PANEL CUT-OUT**

| | | | | | | | | | |
|---|-------------------------------|---------------------------------------|--|--------------------------|------------------|---|------------------------------|------------------------|--|
| REMOVE JACKPOST EC NO: IFC2017-0765 DRAWN: BRUPERT 2017/02/09 CHKD: APPR: WLEUNG 2017/04/28 REV B | QUALITY SYMBOLS ▽=0 ▽=0 | GENERAL TOLERANCES (UNLESS SPECIFIED) | | DIMENSION STYLE IN/MM | | SCALE 1:1 | DESIGN UNITS INCH | THIRD ANGLE PROJECTION | |
| | | | mm INCH | DRAWN BY JLOMASTR | DATE 06/04/17 | TITLE COMMERCIAL MICRO D DUAL STACK SIZE 25/50 WITHOUT JACKPOSTS | | | |
| | | | 4 PLACES ± --- ± --- 3 PLACES ± --- ± .010 2 PLACES ± 0.25 ± .01 1 PLACE ± 0.25 ± --- | CHECKED BY RDEROSS | DATE 06/04/17 | MOLEX INCORPORATED | | | |
| | | | ANGULAR ± 1/2° | APPROVED BY RDEROSS | DATE 06/04/17 | MATERIAL NO. 836199202 | DOCUMENT NO. SD-83619-013 | SHEET NO. 2 OF 2 | |
| DRAFT WHERE APPLICABLE MUST REMAIN WITHIN DIMENSIONS | | | THIS DRAWING CONTAINS INFORMATION THAT IS PROPRIETARY TO MOLEX INCORPORATED AND SHOULD NOT BE USED WITHOUT WRITTEN PERMISSION | | | | | | |