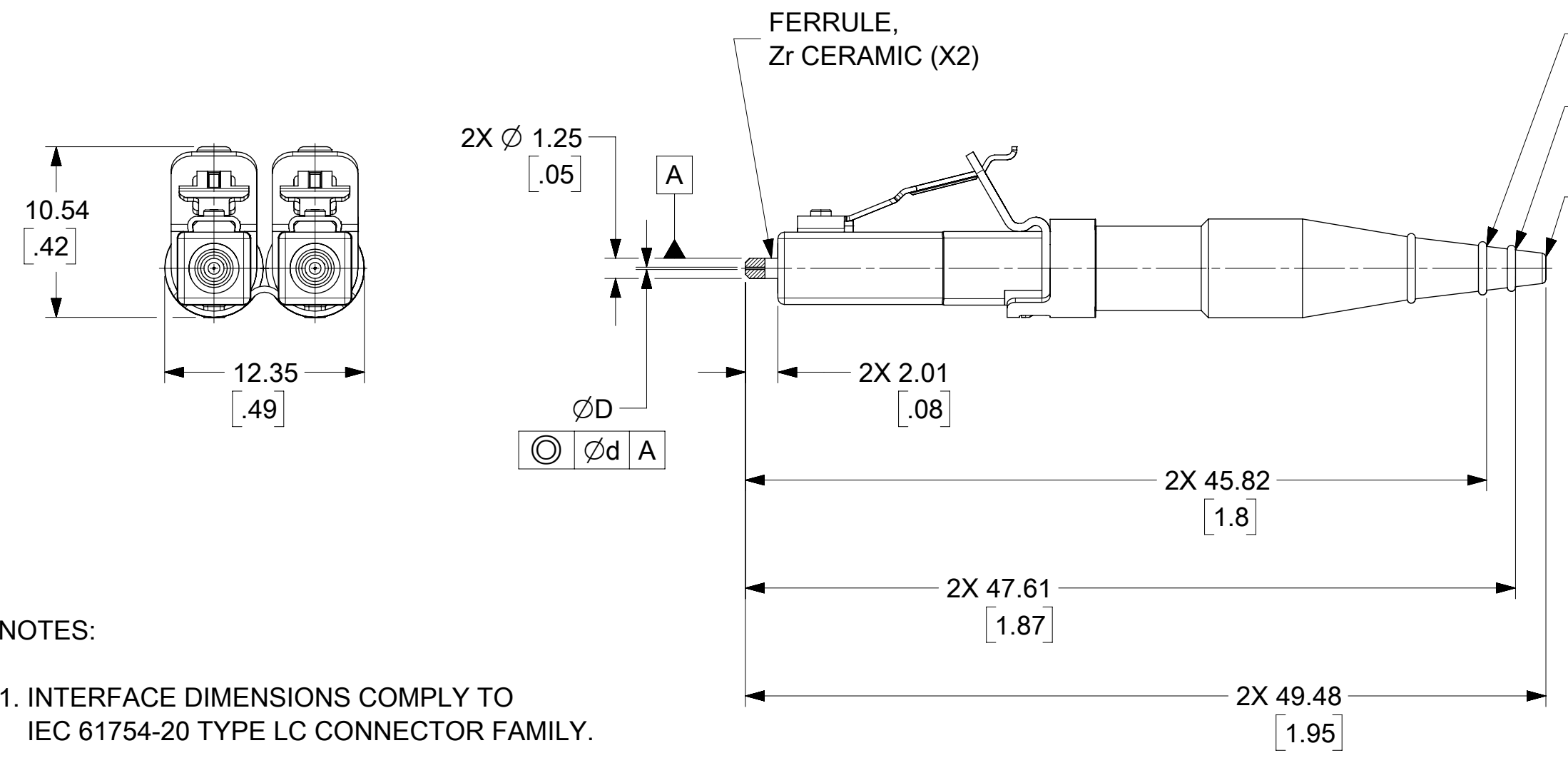
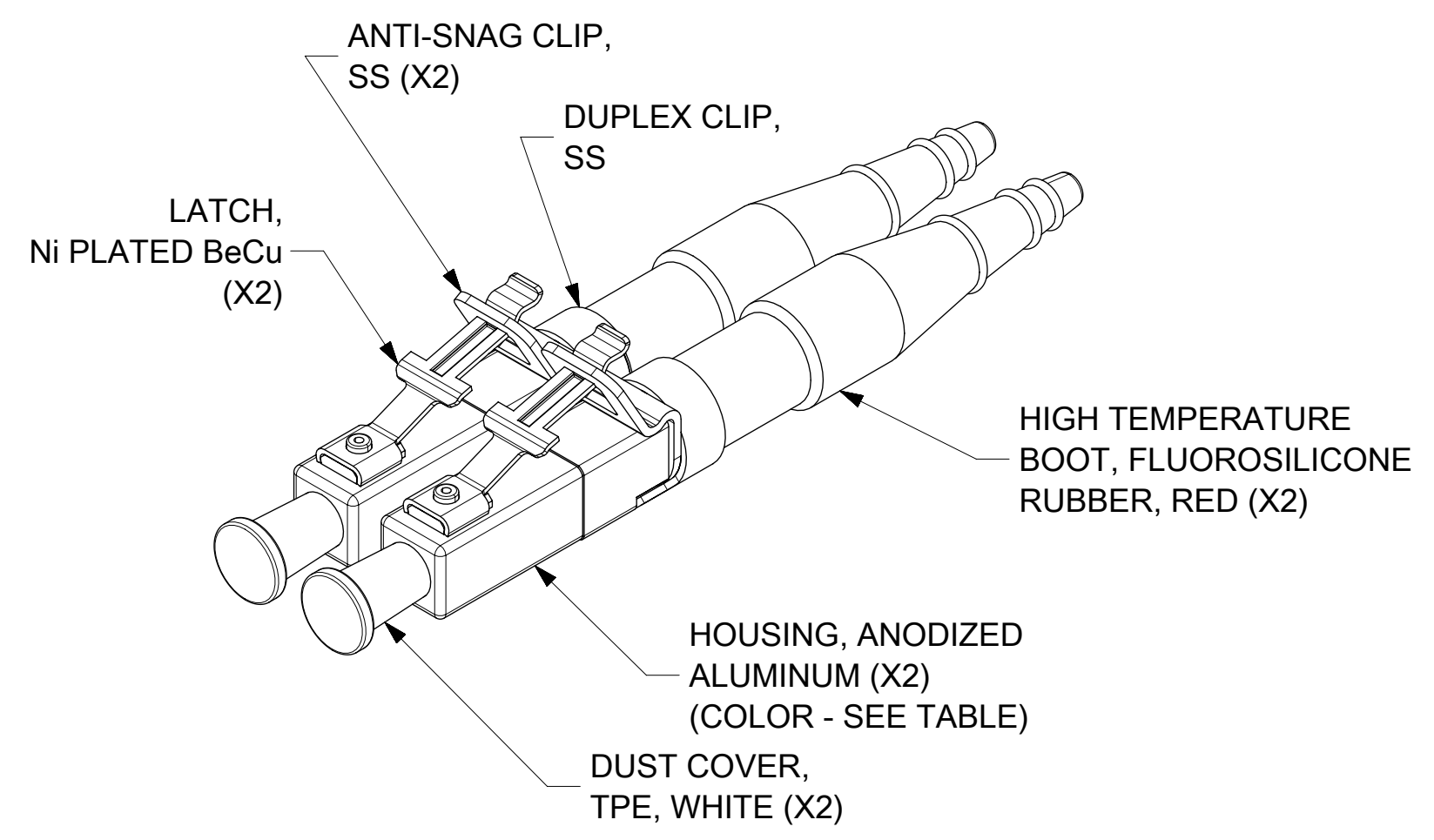
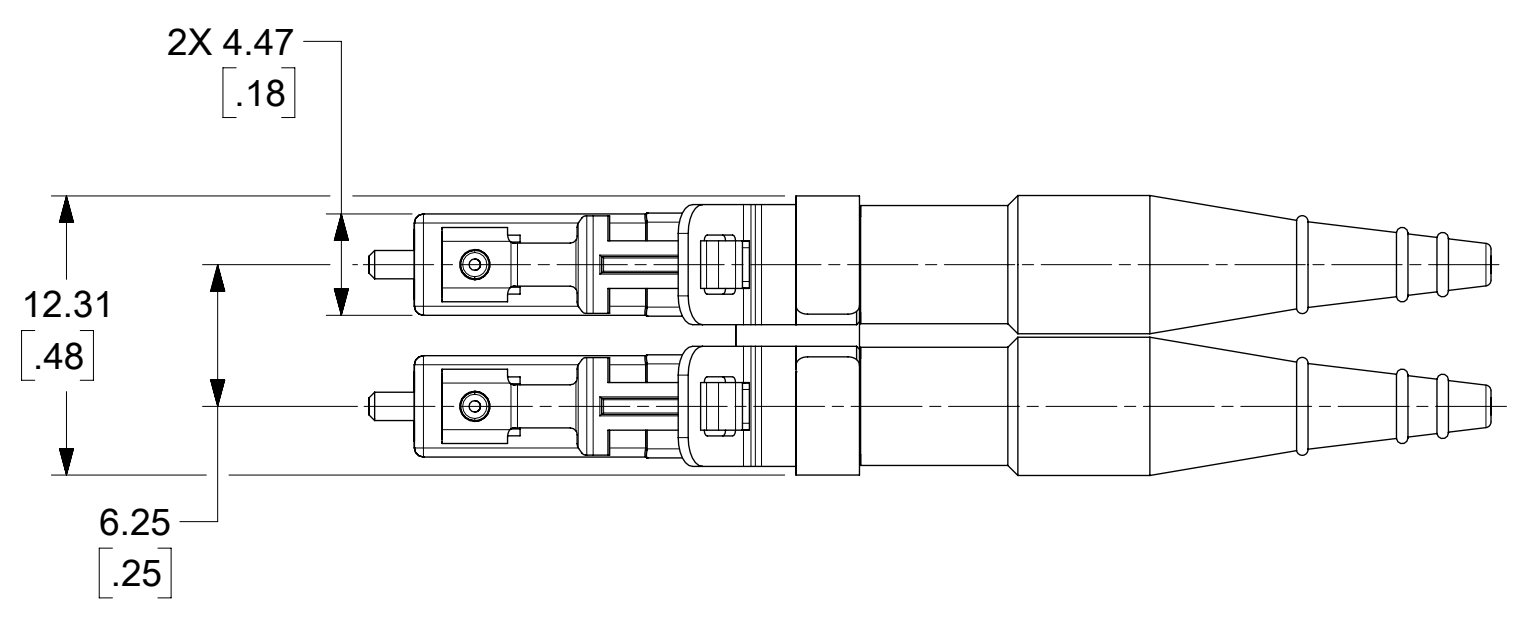


CONNECTOR P/N	CONNECTOR TYPE	HOUSING COLOR	ØD (µm)	Ød (µm)
1063975320	Single Mode	Blue	125.5 +0.5/-0	0.5
1063975321			126.0 +1.0/-0	1.0
1063975520	Multimode	Gold	127.0 +3.0/-0	3.0



NOTES:

- INTERFACE DIMENSIONS COMPLY TO IEC 61754-20 TYPE LC CONNECTOR FAMILY.
- BOOT TO BE CUT AT LINES AS SHOWN DEPENDING ON THE CABLE SIZE.
- FOR TERMINATION PROCEDURE USE STANDARD LC TERMINATION PROCEDURE. (RECOMMENDED CRIMP TOOL P/N 867445000)
- CONNECTOR TESTED TO PASS FOLLOWING STANDARDS:
 - TELCORDIA GR-326-CORE. THERMAL CYCLE CONDITIONS MODIFIED TO BE -60°C TO +150°C (REFER TO TEST REPORT TR8797)
 - EIA-364 (REFER TO TEST REPORT TR8797)

CONNECTOR IS SOLD AS A KIT. CUSTOMER IS RESPONSIBLE TO PERFORM THEIR OWN TEST TO VERIFY THEIR TERMINATION PROCESS AS A FINISHED PRODUCT.

BOOT CUT LINES

FUNCTIONAL SYMBOLS	THIS DRAWING CONTAINS INFORMATION THAT IS PROPRIETARY TO MOLEX ELECTRONIC TECHNOLOGIES, LLC AND SHOULD NOT BE USED WITHOUT WRITTEN PERMISSION		CURRENT REV DESC:		molex
	DIMENSION UNITS	SCALE	EC NO: 655686		
▽A = 0	MM/INCH	3:1	DRWN: IGUMIN	2021/02/15	LC2+ METAL HIGH TEMP CONNECTOR, DUPLEX
▽E = 0	GENERAL TOLERANCES (UNLESS SPECIFIED)		CHK'D: GGENCHANOK	2021/02/18	
▽P = 0	ANGULAR TOL ± 1.0°		APPR: GGENCHANOK	2021/02/18	PRODUCT CUSTOMER DRAWING
DIVISIONAL SYMBOLS	4 PLACES ±		INITIAL REVISION:	DOCUMENT NUMBER	DOC TYPE DOC PART REVISION
	3 PLACES ±		DRWN: EEFUNG	2010/06/03	SD-106397-5320
	2 PLACES ±		APPR: WCHEN	2010/06/10	PSD 001 B1
	1 PLACE ±				
	0 PLACES ±				
DRAFT WHERE APPLICABLE MUST REMAIN WITHIN DIMENSIONS	THIRD ANGLE PROJECTION	DRAWING	SERIES	MATERIAL NUMBER	CUSTOMER
		C-SIZE	106397	SEE TABLE	
					SHEET NUMBER
					1 OF 1

DOCUMENT STATUS	P1	RELEASE DATE	2021/02/18 16:18:17
-----------------	----	--------------	---------------------