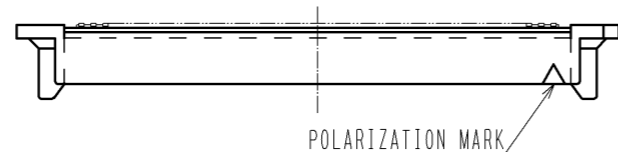
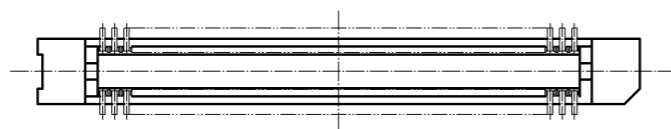
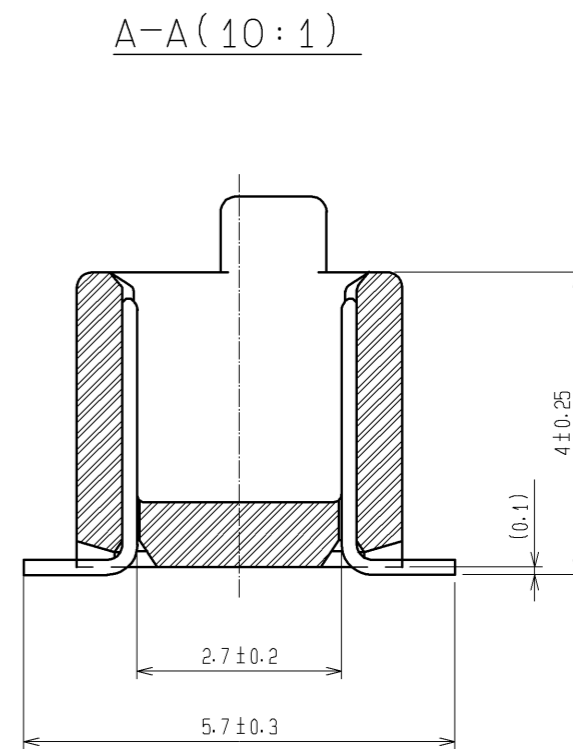
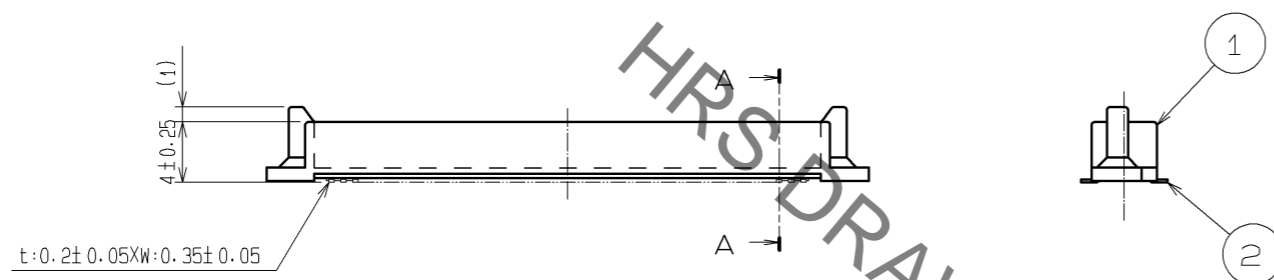
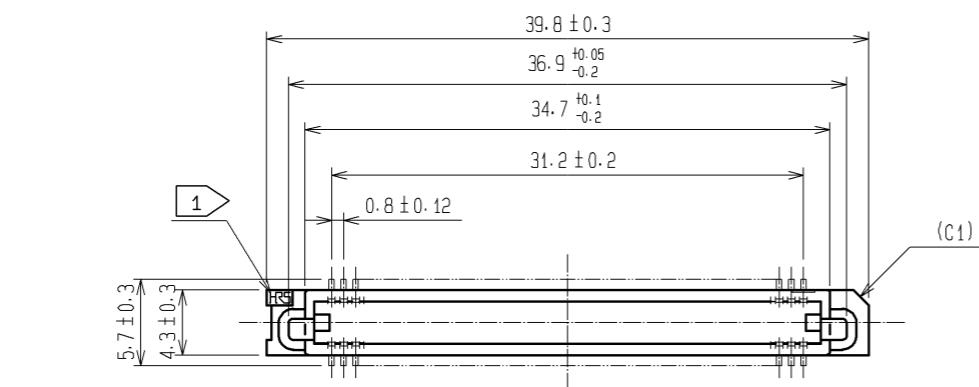
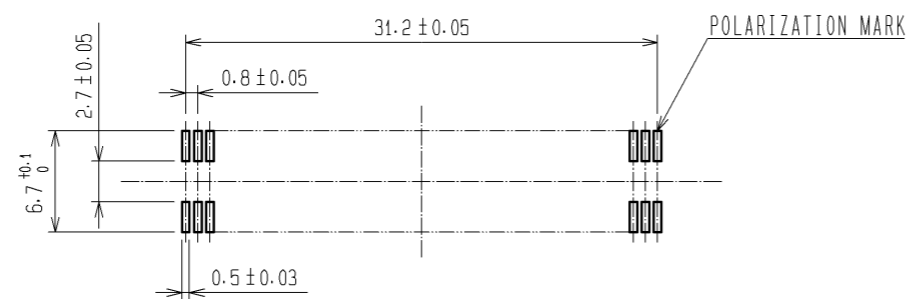


May.1.2023 Copyright 2023 HIROSE ELECTRIC CO., LTD. All Rights Reserved.
In case of consideration for using Automotive equipment / device which demand high reliability, kindly contact our sales window correspondents.



RECOMMENDED LAND PATTERN DIMENSION OF PCB (MOUNTING SIDE)
(RECOMMENDED METAL MASK THICKNESS $t=0.15$)



HRS DRAWING FOR REFERENCE

- NOTES
- ① HRS MARK SHOULD BE OPTIONAL.
 2. LEAD CO-PLANARITY SHALL BE 0.1mm MAX.
 3. FOR MODIFICATION, ETC., PREVENTIVE HOLE FOR SINK MARK MAY BE ADDED ACCORDING TO CIRCUMSTANCES.
 4. THE DIMENSIONS IN PARENTHESES ARE FOR REFERENCE.

| | | | | | | | |
|--------------------------------------|----------|------------------------|-----------|--------------------------|--|---------|------|
| 1 | PPS | LIGHT BROWN UL94V-0 | 2 | PHOSPHOR BRONZE | CONTACT AREA: GOLD 0.1μm min. LEAD AREA: GOLD FLASH UNDER PLATING: NICKEL 1μm min. | | |
| NO. | MATERIAL | FINISH . REMARKS | NO. | MATERIAL | FINISH . REMARKS | | |
| UNITS mm | | SCALE 2 : 1 | COUNT | DESCRIPTION OF REVISIONS | DESIGNED | CHECKED | DATE |
| HRS HIROSE ELECTRIC CO., LTD. | | APPROVED : HS. OKAWA | 08.06.26 | DRAWING NO. | EDC3-071329-25 | | |
| | | CHECED : HT. YAMAGUCHI | 08.06.25 | PART NO. | FX6A-80P-0.8SV(71) | | |
| | | DESIGNED : SY. KAMIGA | 08.06.23 | CODE NO. | CL576-0207-9-71 | | |
| | | DRAWN : TP. MATSUMOTO | 08.06.18 | | 1/1 | | |