

NOTES:

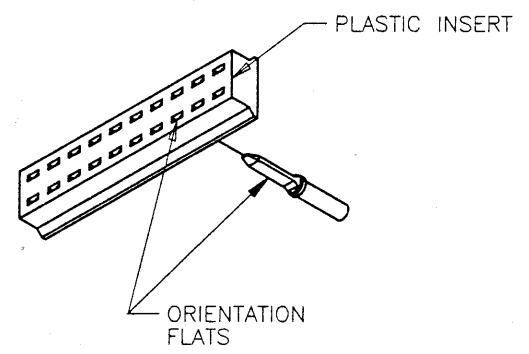
- THIS INSERT IS DESIGNED FOR USE IN RAYCHEM CONNECTOR HOUSING MTC100-JH1-XXX. (SEE RAYCHEM INFORMATION DRAWING D-659-0097 AND HOUSING SPECIFICATION CONTROL DRAWING FOR FURTHER DETAILS).
- PART DESCRIBED HEREON IS SUPPLIED AS SHOWN. IF CONTACTS, SEALING PLUGS, AND TOOLS ARE DESIRED, THE FOLLOWING MODIFICATION NUMBER IS TO BE ADDED TO THE PART NUMBER ON THE KIT PACKAGING LABEL ONLY:

| MOD NO. | DESCRIPTION |
|---------|---------------------------------------|
| 022 | WITH CONTACTS AND SEALING PLUGS |
| 023 | WITH CONTACTS, SEALING PLUGS AND TOOL |

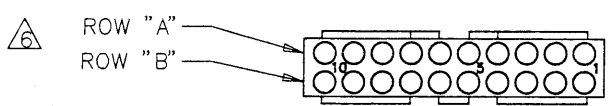
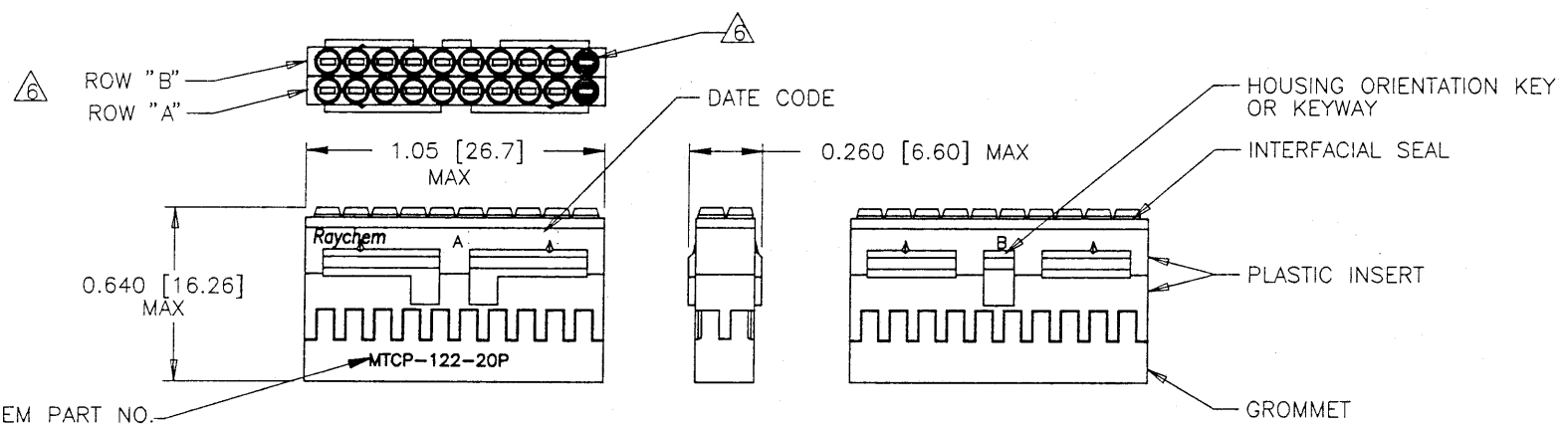
REFERENCE RAYCHEM INFORMATION DRAWING D-659-0097 FOR CRIMP TOOLS OR ADDITIONAL CONTACTS, SEALING PLUGS OR TOOLS.
- GROMMET DESIGNED TO SEAL ON WIRES HAVING AN INSULATION DIAMETER OF 0.030 TO 0.065.
- PERFORMANCE:
THIS PRODUCT IS DESIGNED TO MEET THE APPLICABLE REQUIREMENTS OF RAYCHEM SPECIFICATION C-6115.
- MATERIALS:

| | |
|-------------------------|--|
| A) PLASTIC INSERT | HIGH GRADE POLYARYLENE THERMOPLASTIC |
| B) GROMMET | FLUOROSILICONE PER MIL-R-25988 |
| C) INTERFACIAL SEAL | FLUOROSILICONE PER MIL-R-25988 |
| D) RETENTION CLIPS (20) | BERYLLIUM COPPER 172 PER QQ-C-533 OR |
| (INSIDE PLASTIC INSERT) | 301 STAINLESS STEEL PER TEC-100-309 SPECIAL TEMPER |

| REVISIONS | | | |
|-----------|---------------------------|------------|---------------|
| LTR | DESCRIPTION | DATE | APPROVED |
| B | REVISED PER ECN #T-012895 | 89SEP11 | BLAIR |
| C | REVISED PER ECN #T-20815 | 96/5/20 | M. BLAIR |
| D | REVISED PER ECN-22-142121 | 04/04/2022 | J. MONTEMAYOR |



⚠ NUMBER ONE (1) CAVITIES ARE MARKED IN CONTRASTING COLOR. ROWS "A" AND "B" ARE AN INTEGRAL PART OF THE INSERT. ROWS "A" AND "B" ARE IDENTIFIED ON THE SIDE OF THE INSERT AS "A" AND "B".



SPECIFICATION CONTROL DRAWING

| | | | | | | | |
|--|------------------------|------------|-----------|--|-----------------|---|-----|
| UNLESS OTHERWISE SPECIFIED DIMENSIONS ARE IN INCHES. METRIC DIMENSIONS ARE IN BRACKETS. DECIMALS .XXX ± .XX ± ANGLES .X ± WEIGHT 0.0049 lbs [2.223 g] MAX | DRAWN | HAWKINGS | 88 SEP 07 | Raychem | | RAYCHEM CORPORATION 300 CONSTITUTION DRIVE MENLO PARK, CALIFORNIA 94025 | |
| | CHECKED | | | TITLE | | | |
| | APPROVED | G.F. BLAIR | 88 OCT 10 | INSERT, PIN, 20 CAVITY, SIZE 22-20 REMOVABLE CONTACT 1" CONNECTOR MTC100 SERIES | | | |
| | APPROVED | | | CAD NAME 002375-1.DWG | | | |
| | THIRD ANGLE PROJECTION | | | SIZE | CODE IDENT. NO. | DWG. NO. | REV |
| | | C | 06090 | MTCP-122-20P | D | DO NOT SCALE THIS DRAWING | |
| | | | | | | SHEET 1 OF 1 | |

If this document is printed it becomes uncontrolled. Check with the web for latest revision.

SHEET MTCP-122-20P