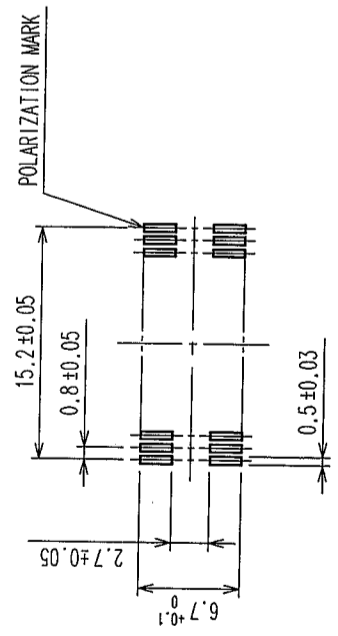
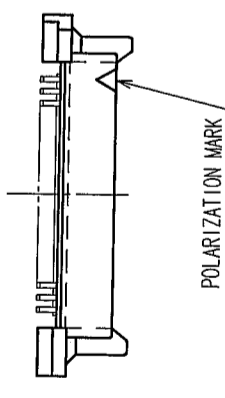
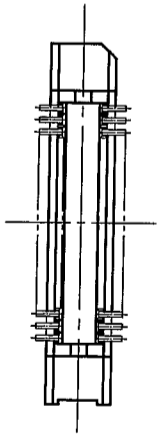
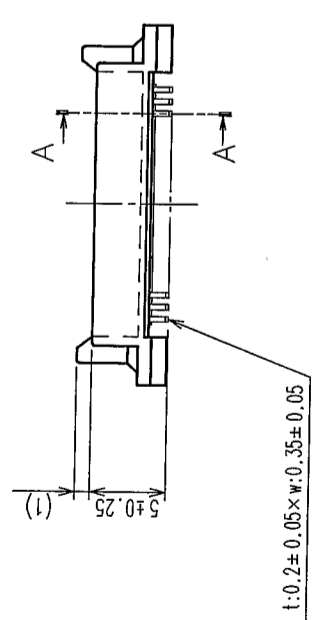
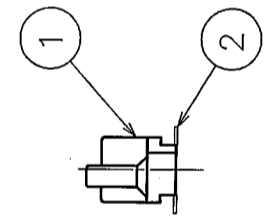
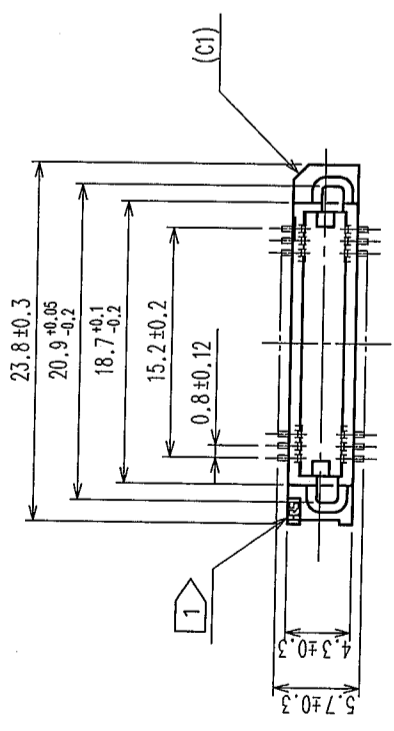
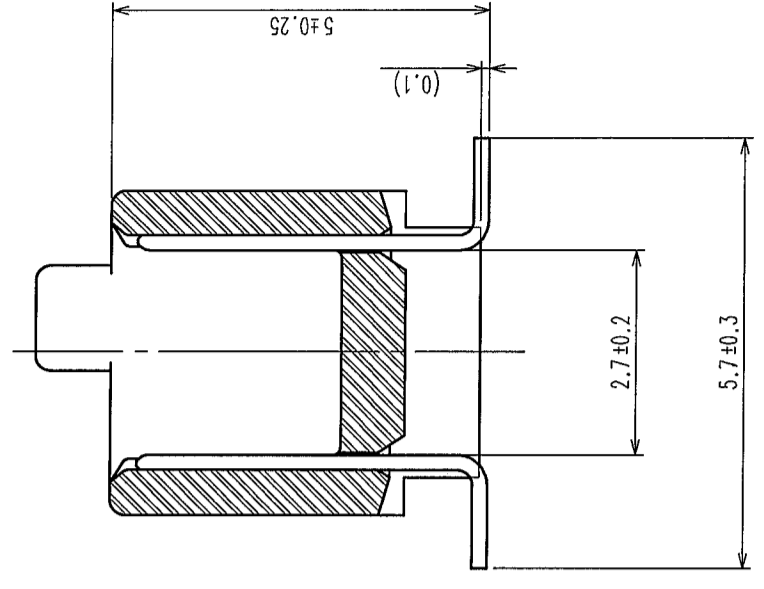


COUNT	DESCRIPTION OF REVISIONS	BY	CHKD	DATE	COUNT	DESCRIPTION OF REVISIONS	BY	CHKD	DATE
△					△				
△					△				
△					△				



A-A (10:1)



HRS DRAWING FOR REFERENCE

- NOTE 1 HRS MARK SHALL BE OPTIONAL.
 2 LEAD CO-PLANARITY SHALL BE 0.1mm MAX.
 3 THE DIMENSIONS IN PARENTHESES ARE FOR REFERENCE.
 4 EMBOSSED CARRIER TAPE PACKAGING SHALL BE APPLIED FOR THIS PRODUCT.
 5 THIS PRODUCT HAS TAPE FOR VACUUM PICKUP.
 6 SEE NEXT PAGE FOR DETAIL OF STICKING POSITION, ETC.
 FOR MODIFICATION, ETC., PREVENTIVE HOLE FOR SINK MARK MAY BE ADDED ACCORDING TO CIRCUMSTANCES.

RECOMMENDED P.C.B. LAND PATTERN (MOUNT SIDE)

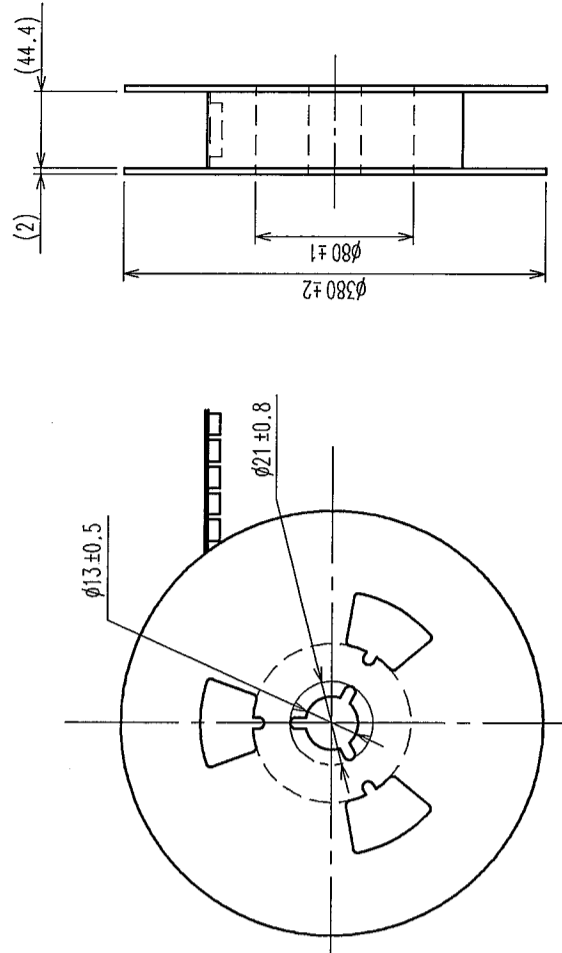
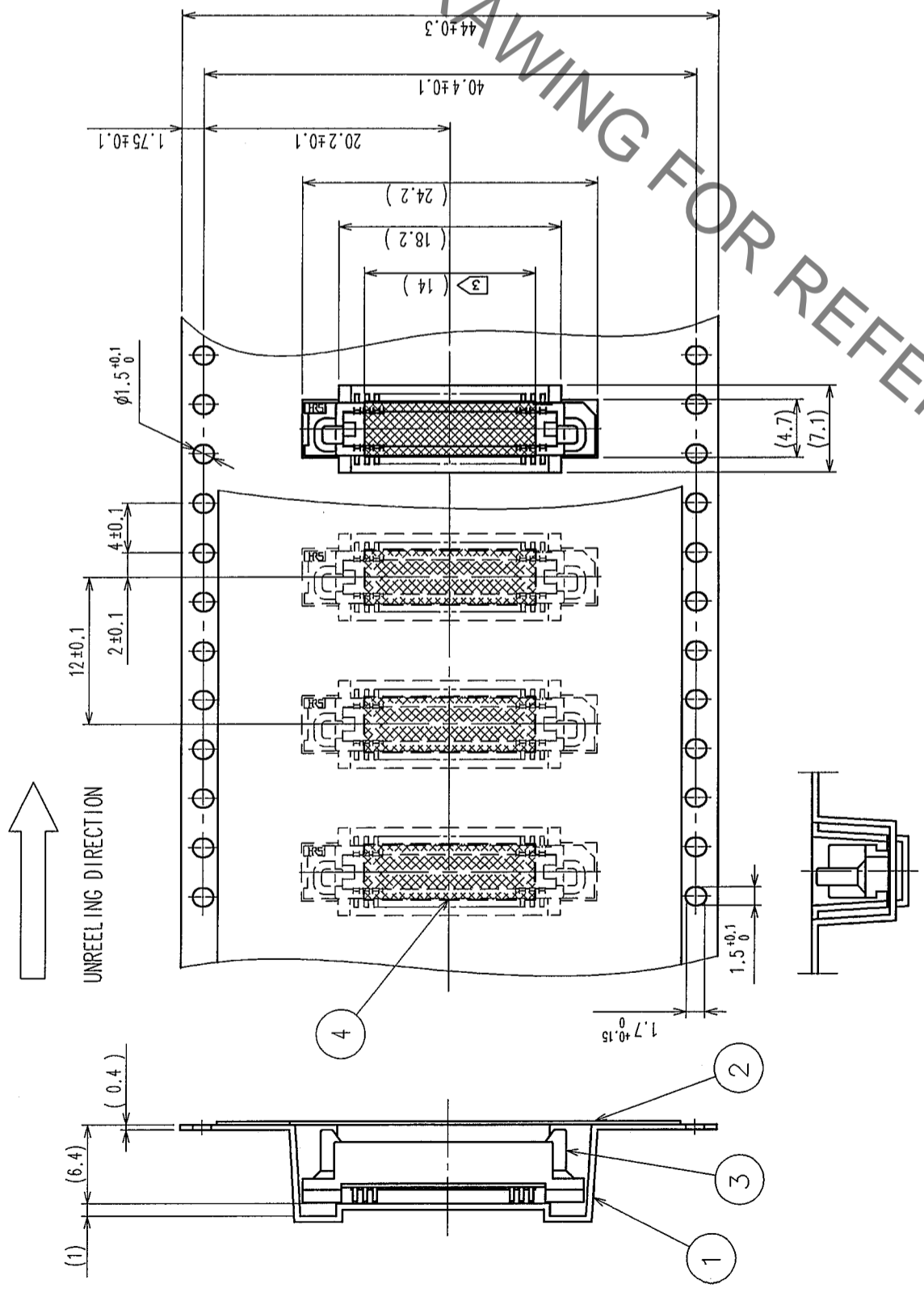
1	POLYPHENYLENE SULFIDE	LIGHT BROWN	UL94V-0	2	PHOSPHOR BRONZE				
NO.	MATERIAL	FINISH, REMARKS	NO.	MATERIAL	FINISH, REMARKS	DESIGNED	CHECKED	APPROVED	RELEASED
CODE NO. (OLD)	CL					Y. Aoyagi	X. Ogawa	H. Okawa	
						'05.09.15	'05-09-26	'05-09-26	
DRAWING NO.		PART NO.		CONTACT AREA : GOLD 0.1μm min.		LEAD AREA : TIN-PLATING 1μm min.		UNDER PLATING : NICKEL 1μm min.	
EDC3-071320-23		FX6A-40P-0.8SV1(93)							
SCALE		UNITS		CODE NO.		CL		HRS	
2 : 1		mm		CL576-0223-5-93					

TO			
----	--	--	--

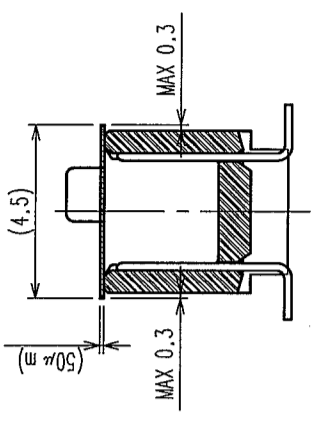
2 In case of consideration for using Automotive equipment / device which demand high reliability, kindly contact our sales window correspondents.

8

COUNT	DESCRIPTION OF REVISIONS	BY	CHKD	DATE	COUNT	DESCRIPTION OF REVISIONS	BY	CHKD	DATE

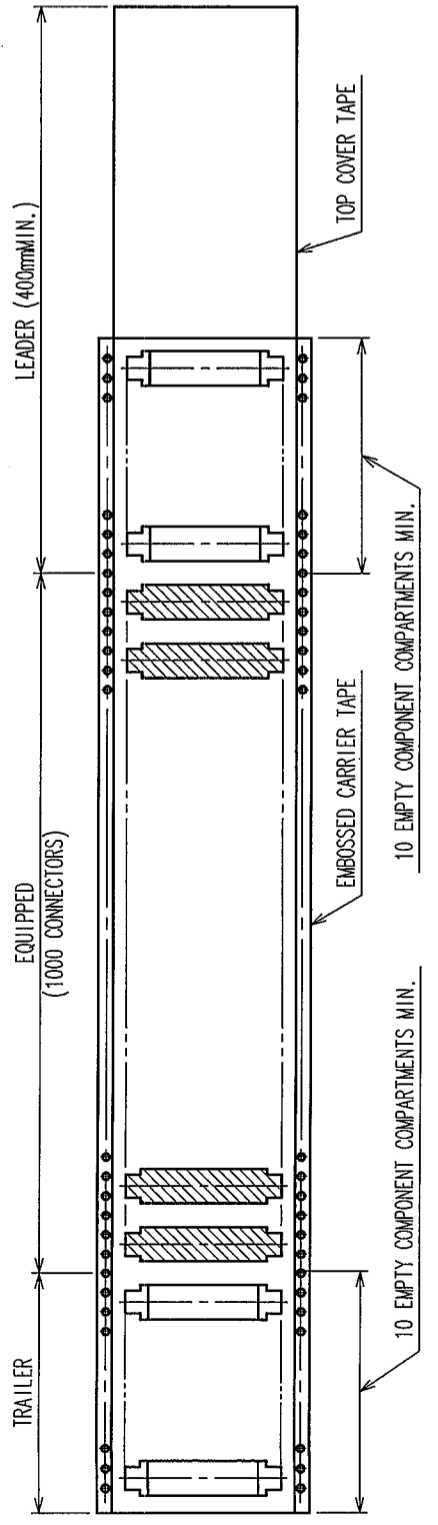


REEL DIMENSION (FREE)



DETAIL OF TAPE FOR VACUUM PICKUP (5:1)

- NOTE 1 THE DIMENSIONS IN PARENTHESES ARE FOR REFERENCE.
 2 1 REEL : 1000 CONNECTORS
 3 REMOVE THE VACUUM PICK-UP TAPE AFTER MOUNTING THE CONNECTOR.



2	POLYESTER	TOP COVER TAPE	4	POLYIMIDE	TAPE FOR VACUUM PICKUP (CONNECTOR)
1	POLYSTYRENE	EMBOSSED CARRIER TAPE	3		
NO.	MATERIAL	FINISH, REMARKS	NO.	MATERIAL	FINISH, REMARKS
CL					
DRAWN Y. AOYAGI '05.09.15			DESIGNED T. Mota '05.09.26		
CHECKED K. Ogawa '05.09.26			APPROVED H. Okawa '05.09.26		
RELEASED					
DRAWING NO. EDC3-071320-23		PART NO. FX6A-40P-0.8SV1 (93)			
SCALE 2 : 1		CODE NO. CL576-0223-5-93			
UNITS mm		HIROSE ELECTRIC CO., LTD			

HRS DRAWING FOR REFERENCE

TO