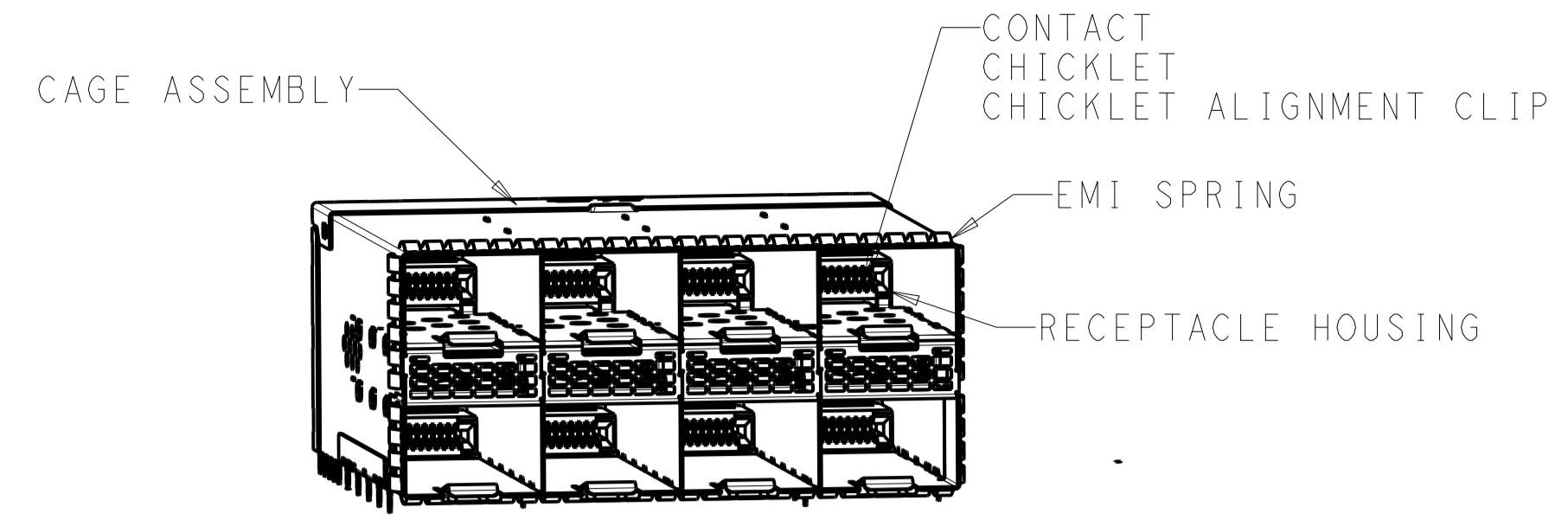


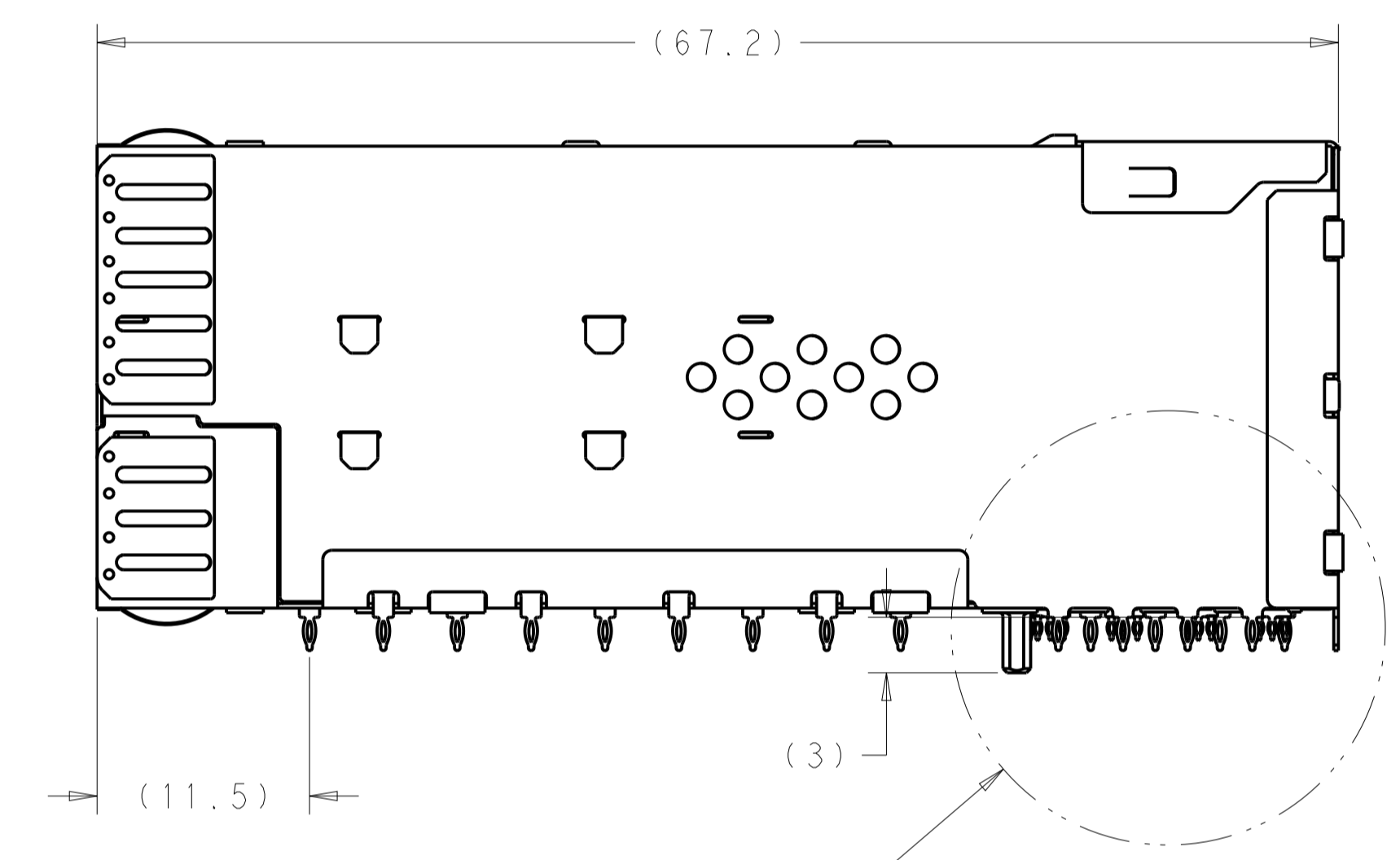
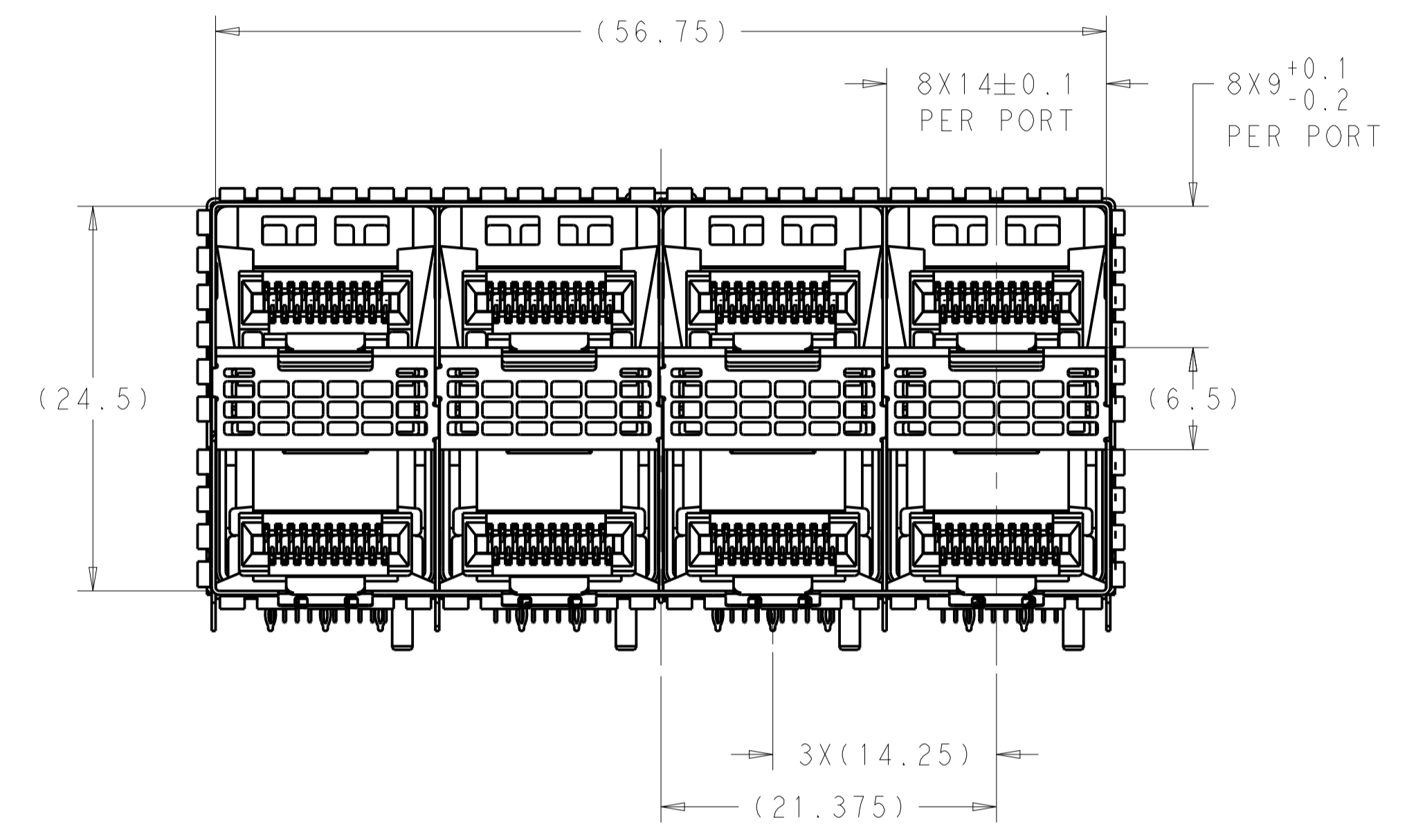
LOC	DIST	REVISIONS			
P	LTN	DESCRIPTION	DATE	DWN	APVD
A		RELEASE TO REV A	23OCT2019	JY	SH
B		REVISED PER ECO-20-013376	03APR2020	JW	SH



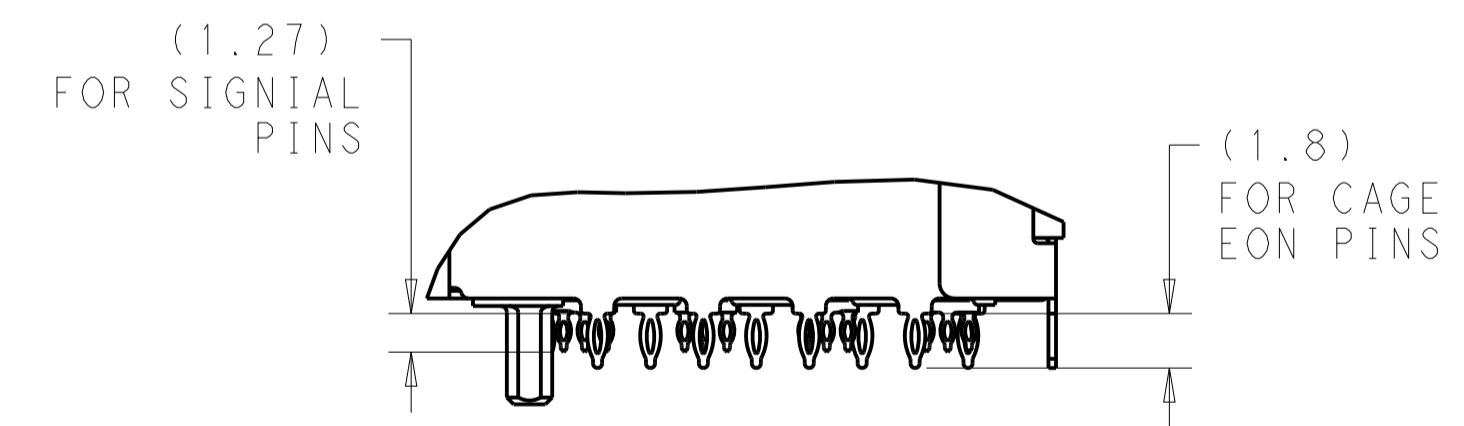
2357514-1
SCALE 3:2

- MATERIALS:**
 CAGE ASSEMBLY - STAINLESS STEEL
 CONNECTOR HOUSING - LCP, BLACK, UL 94V-0 RATED
 CHICKLET - LCP, BLACK, UL 94V-0 RATED
 CHICKLET ALIGNMENT CLIP - LCP, BLACK, UL94V-0 RATED
 CONTACT - COPPER ALLOY
 LIGHTPIPE-POLYCARBONATE, CLEAR
 EMI SPRINGS - PHOSPHOR BRONZE PER ASTM B 103,
 0.8µm MIN TIN OVER NICKEL PATING
- CONTACT FINISH:**
 0.76µm MIN GOLD PER ASTM B 844 AT MATING INTERFACE,
 1.25µm MIN MATTE TIN PER ASTM B 545 AT PCB INTERFACE
 ALLOVER 2.54µm MIN NICKEL PER QQ-N-290.
- PCB MINIMUM THICKNESS FOR SINGLE SIDE= 1.5mm MIN**
 PCB MINIMUM THICKNESS FOR BELLY TO BELLY=3mm MIN

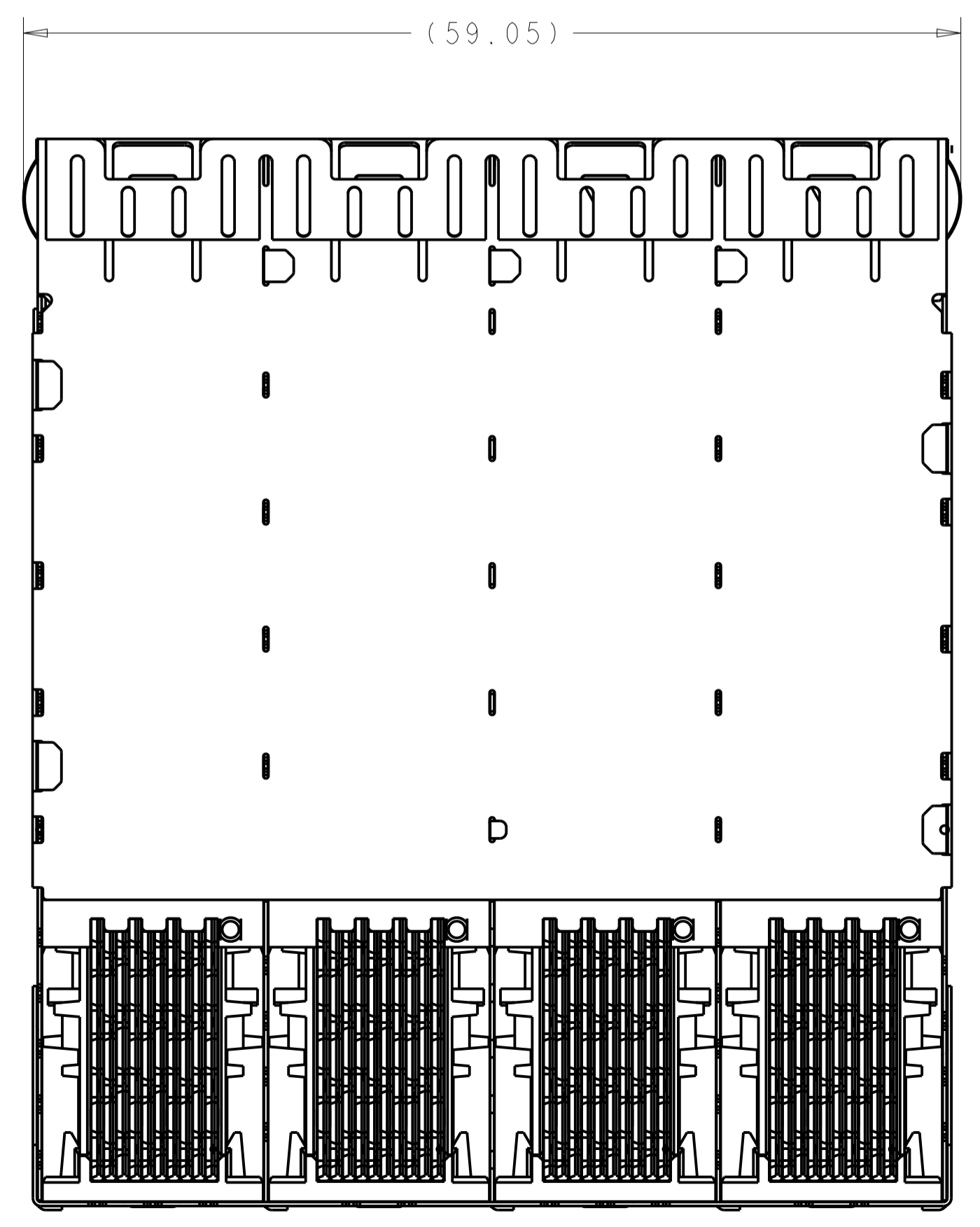
- ⚠ FOR HOLE SIZE AND PLATINGS, SEE APPLICATION SPECIFICATION 114-13319
- ⚠ LIGHT PIPE PAD LAYOUT IS FOR 0805 LOW PROFILE LED PACKAGE WITH A HEIGHT OF 0.8mm
- ⚠ DIMENSIONS APPLY FOR EMI SPRINGS ONLY
- ⚠ THE ENTIRE AREA OF THE CONNECTOR FOOTPRINT, INDICATED BY THE DASHED LINE, TO BE CONSIDERED THE KEEP-OUT AREA FOR COMPONENTS AND SIGNAL TRACES, TOP SIDE ONLY, TOP SIDE TRACES ALLOWED WITHIN CONNECTOR HOLE PATTERN



SEE DETAIL B



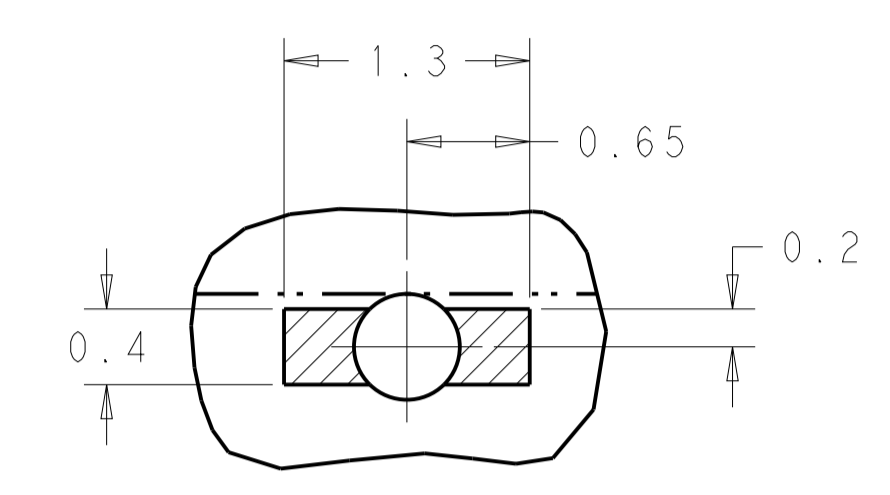
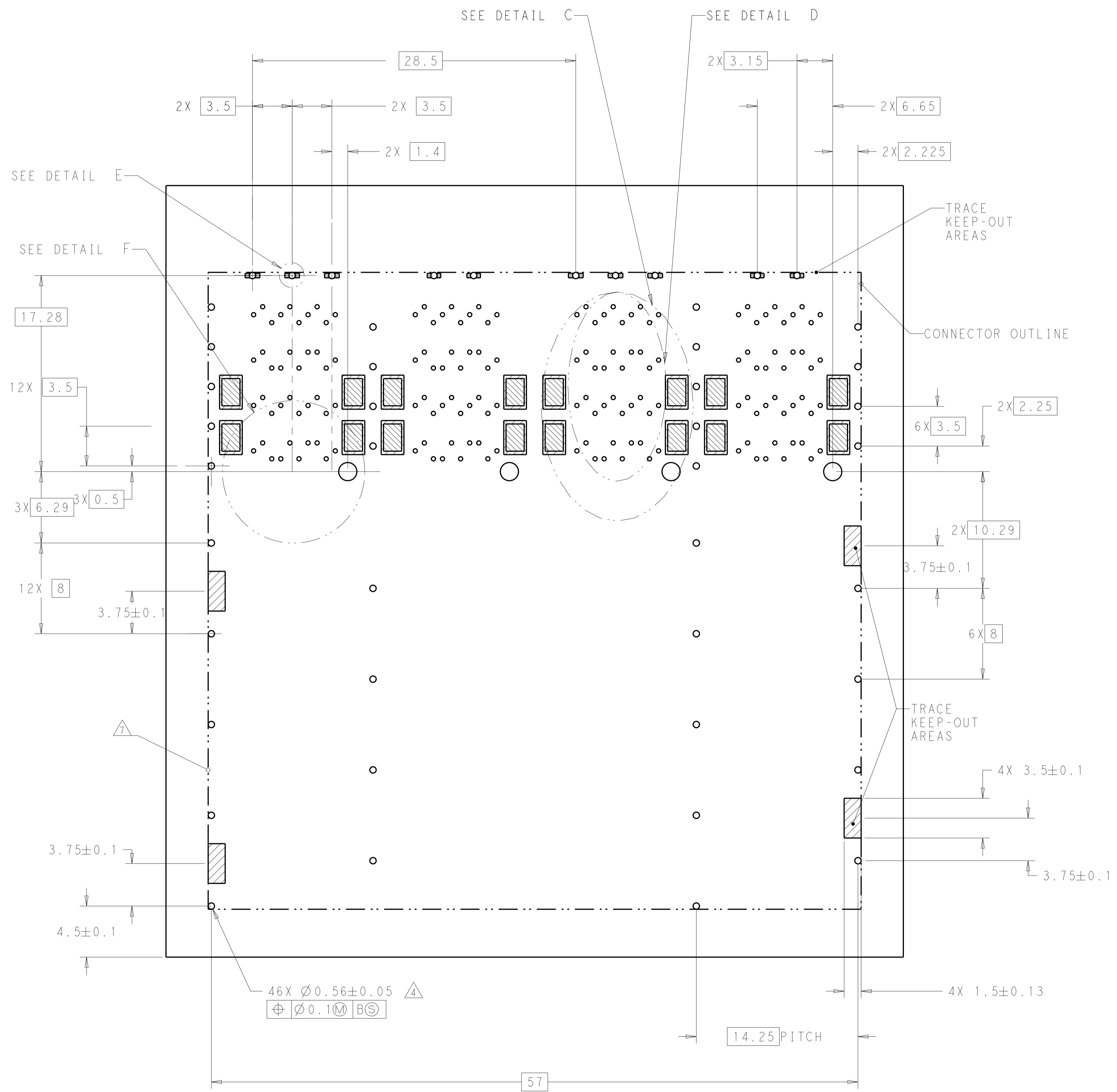
DETAIL B
SCALE 4:1



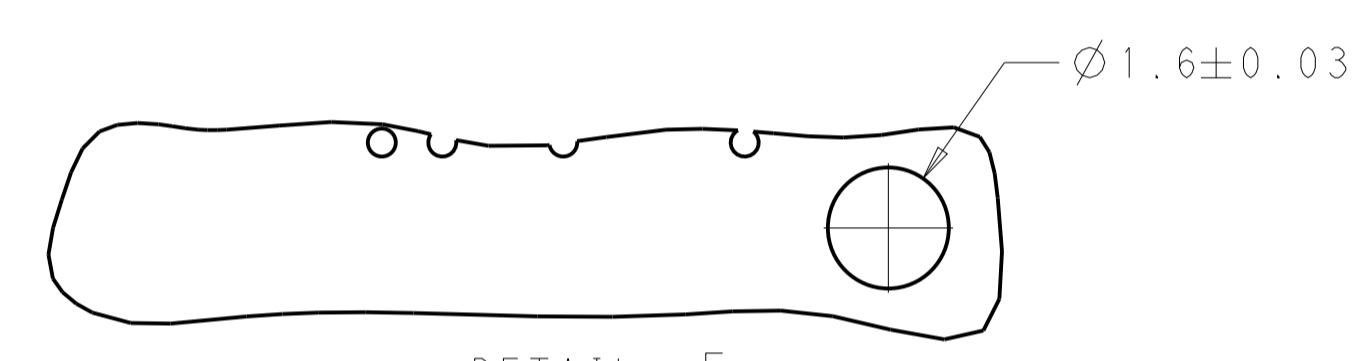
59.5	NO LIGHTPIPE AIRFLOW ENHANCE TYPE	2357514-1
(E)	CAGE TYPE	PART NUMBER

THIS DRAWING IS A CONTROLLED DOCUMENT.		DWN: J. WANG 30MAY2019	TE Connectivity
DIMENSIONS: mm		CHK: S. HAN 30MAY2019	
TOLERANCES UNLESS OTHERWISE SPECIFIED:		APVD: S. HAN 30MAY2019	
0 PLC ± 1 PLC ±0.25 2 PLC ±0.25 3 PLC ±0.25 4 PLC ± ANGLES ±		NAME: RECEPTACLE ASSEMBLY, 2X4 zSFP+ STACKED BELLY TO BELLY PRODUCT SPEC: 108-60129 APPLICATION SPEC: 114-13319 SIZE: A1 CAGE CODE: 00779 DRAWING NO: 2357514 RESTRICTED TO:	
MATERIAL: SEE NOTES		FINISH: SEE NOTES	WEIGHT: - CUSTOMER DRAWING: - SCALE: 3:1 SHEET 1 OF 4 REV B

LOC		DIST		REVISIONS			
GP	00	PLN	LTN	DESCRIPTION	DATE	DWN	APVD
				SEE SHEET 1			



DETAIL E
 10 PLACES
 SCALE 25:1



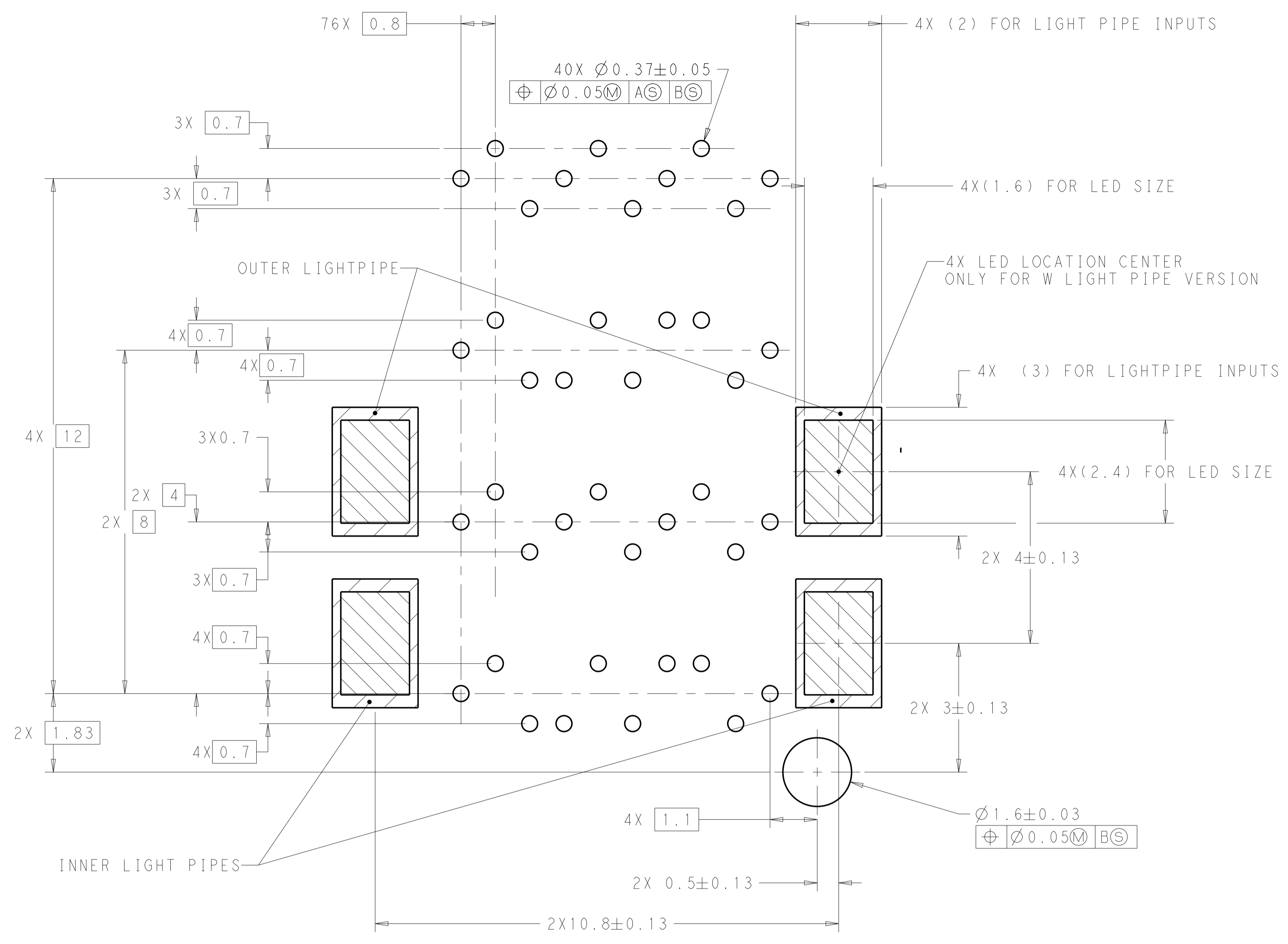
DETAIL F
 4 PLACES
 SCALE 10:1

RECOMMENDED SINGLE SIDE PCB LAYOUT
 SCALE 5:1

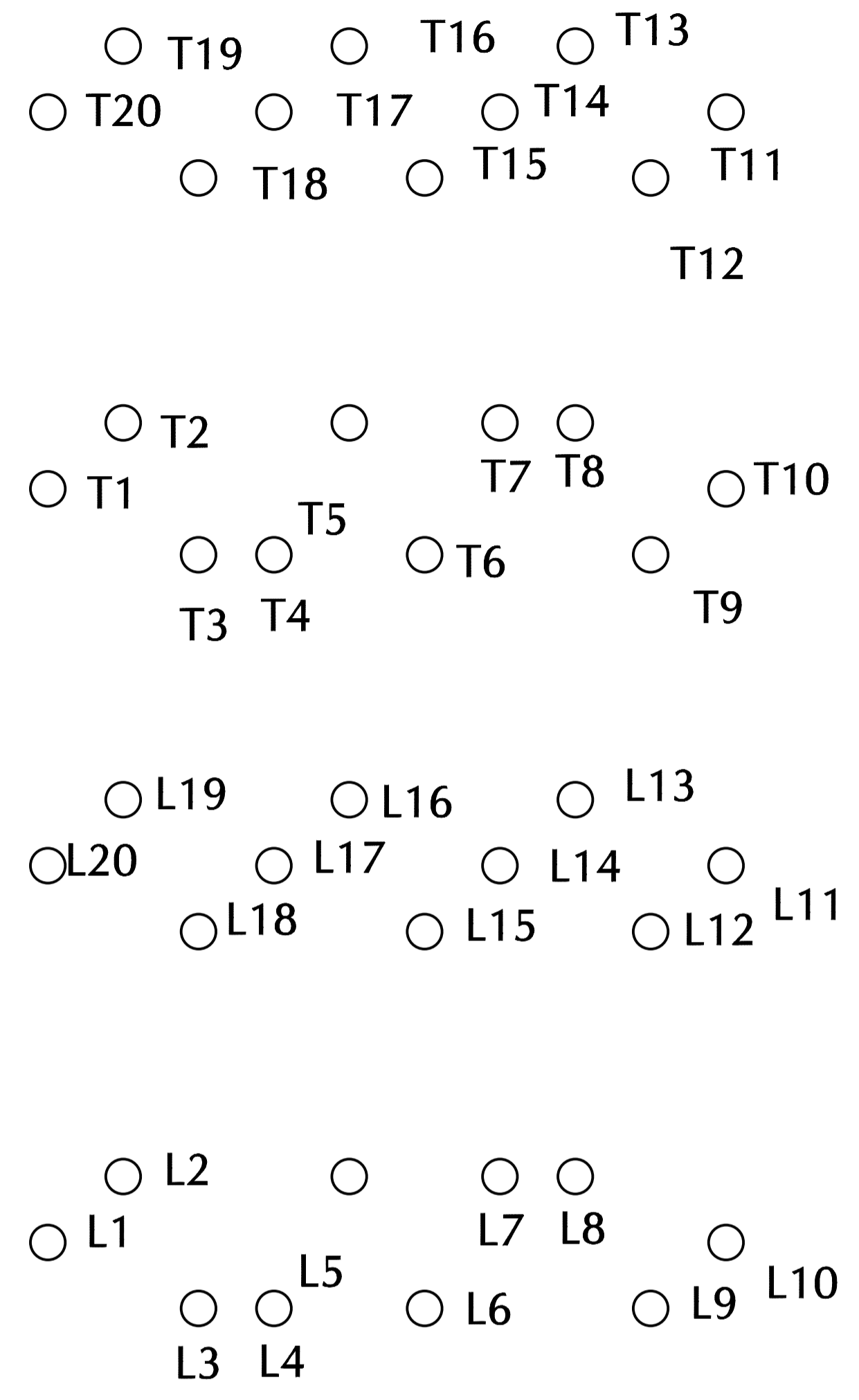
THIS DRAWING IS A CONTROLLED DOCUMENT.		DWN: J. WANG 30MAY2019	TE Connectivity
DIMENSIONS: mm		CHK: S. HAN 30MAY2019	
TOLERANCES UNLESS OTHERWISE SPECIFIED:		APVD: S. HAN 30MAY2019	NAME: RECEPTACLE ASSEMBLY, 2X4 zSFP+ STACKED BELLY TO BELLY
0 PLC ±0.25	1 PLC ±0.25	PRODUCT SPEC: 108-60129	SIZE: A1
2 PLC ±0.25	3 PLC ±0.25	APPLICATION SPEC: 114-13319	CAGE CODE: 2357514
4 PLC ±0.25	ANGLES ±0.1	WEIGHT: -	RESTRICTED TO: -
MATERIAL: SEE NOTES	FINISH: SEE NOTES	CUSTOMER DRAWING	SCALE: 3:1 SHEET 2 OF 4 REV B

LOC	DIST	REV	DATE	BY	APPD
GP	00				

REVISIONS			
REV	DATE	BY	APPD
-	-	-	-
SEE SHEET 1			

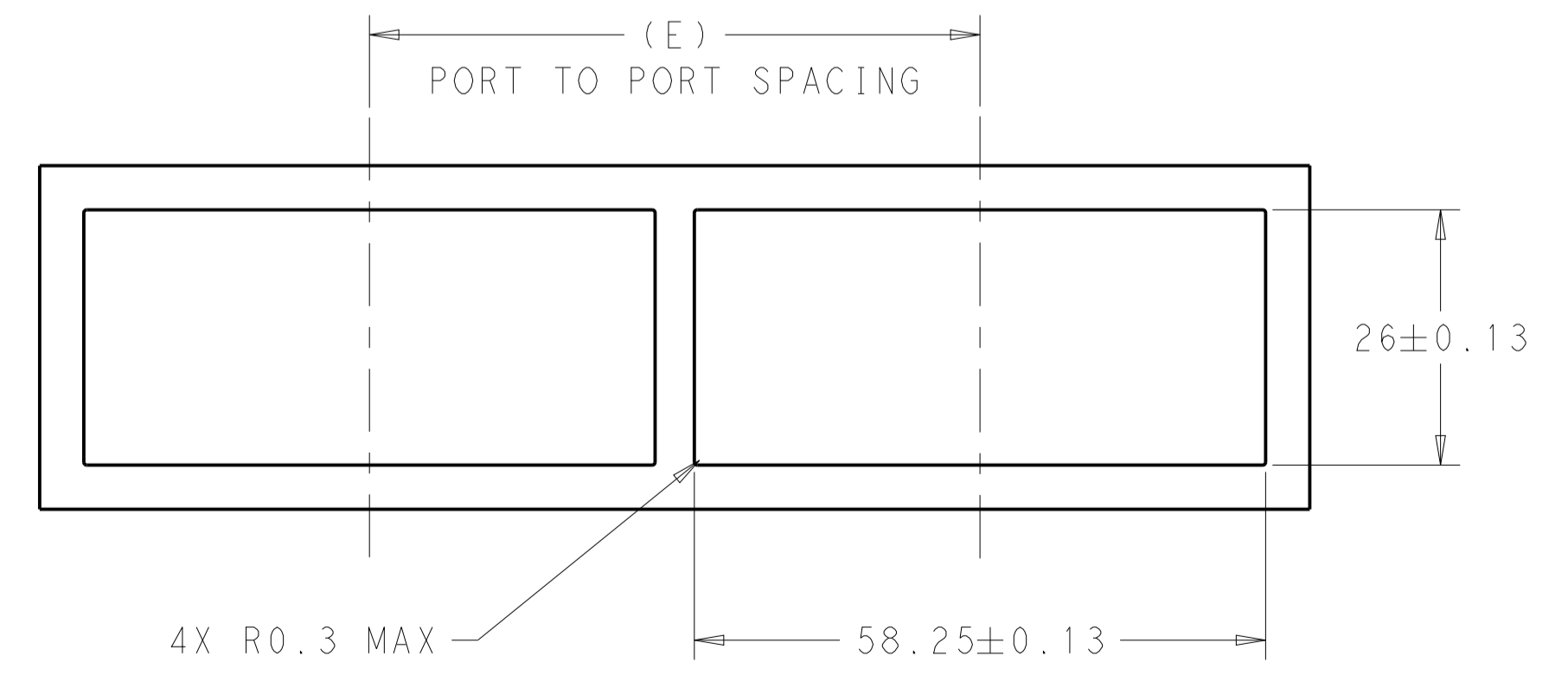


DETAIL C
 RECOMMENDED PIN AND LIGHT PIPE LAYOUT
 4X INDIVIDUALLY
 SCALE 15:1

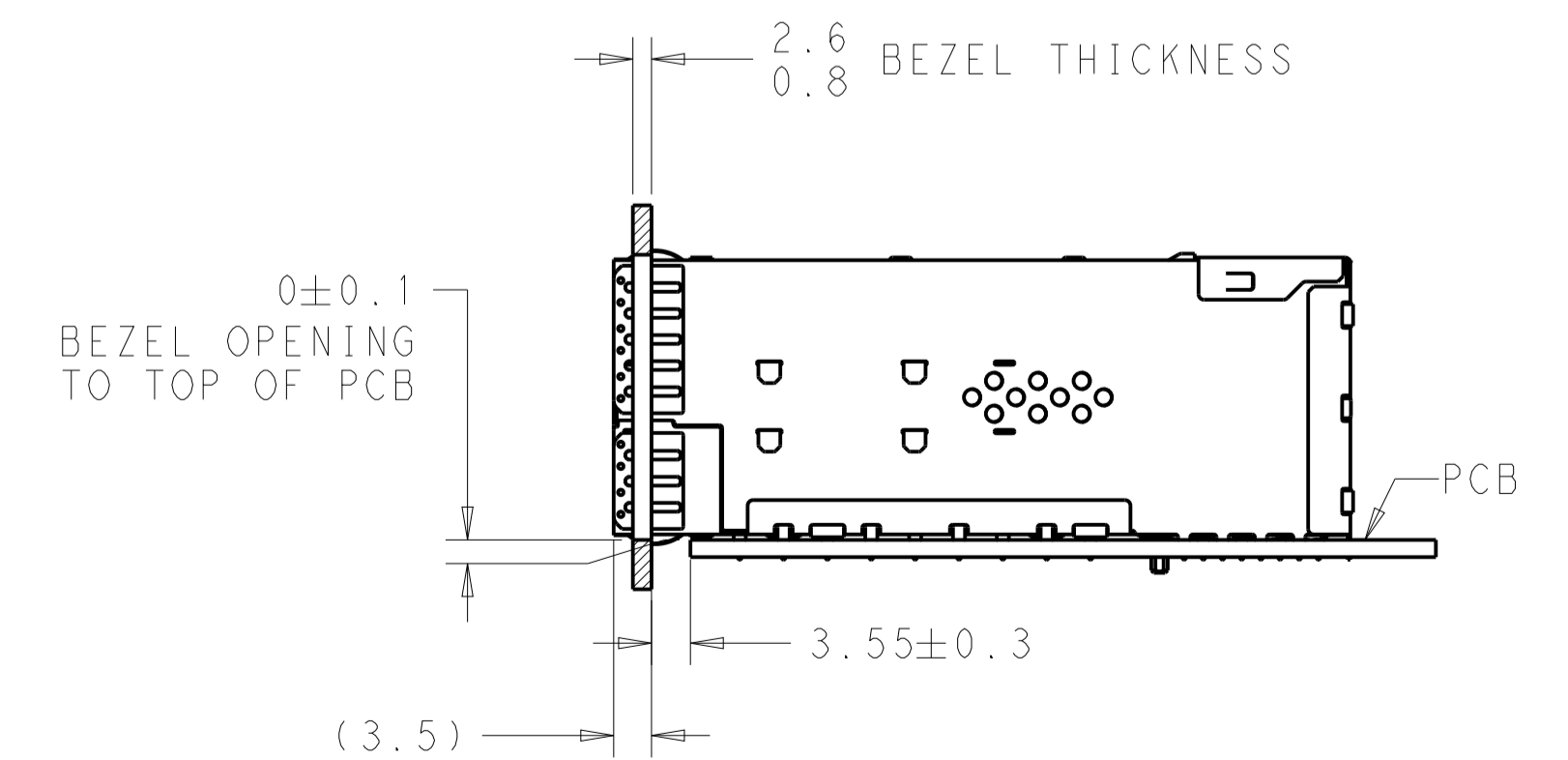


DETAIL D
 PIN MAP
 4X PLACES
 SCALE 18:1

PIN MAP LEGEND	
PIN NUMBER	FUNCTION
L1/T1	VEET
L2/T2	TX-FAULT
L3/T3	TX-DISABLE
L4/T4	SDA
L5/T5	SCL
L6/T6	MOD_ABS
L7/T7	RSO
L8/T8	RX_LOS
L9/T9	RS1
L10/T10	VEER
L11/T11	VEER
L12/T12	RD-
L13/T13	RD+
L14/T14	VEER
L15/T15	VCCR
L16/T16	VCCT
L17/T17	VEET
L18/T18	TD+
L19/T19	TD-
L20/T20	VEET

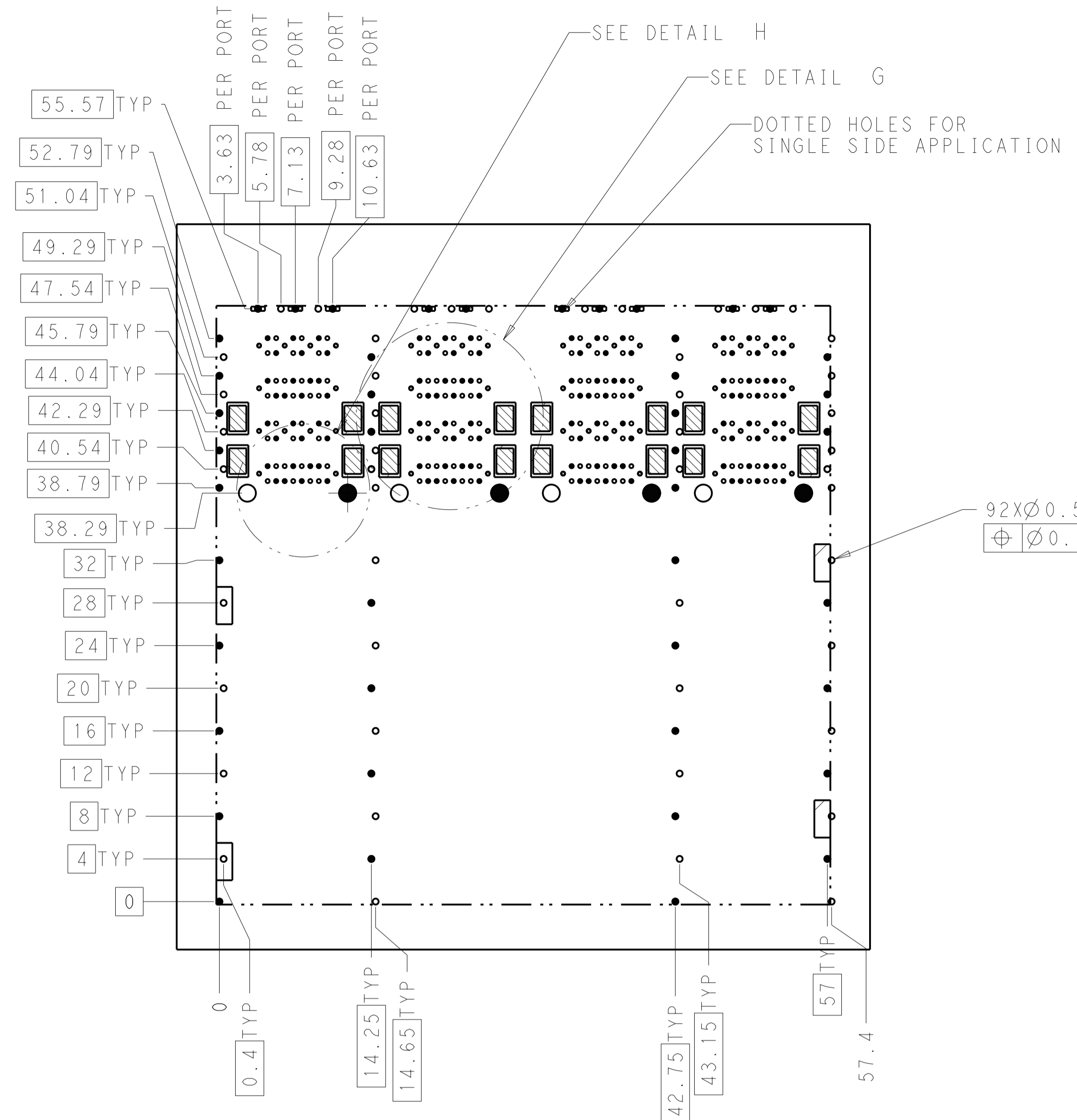


RECOMMENDED BEZEL CUT-OUT DETAIL
 SCALE 3:2

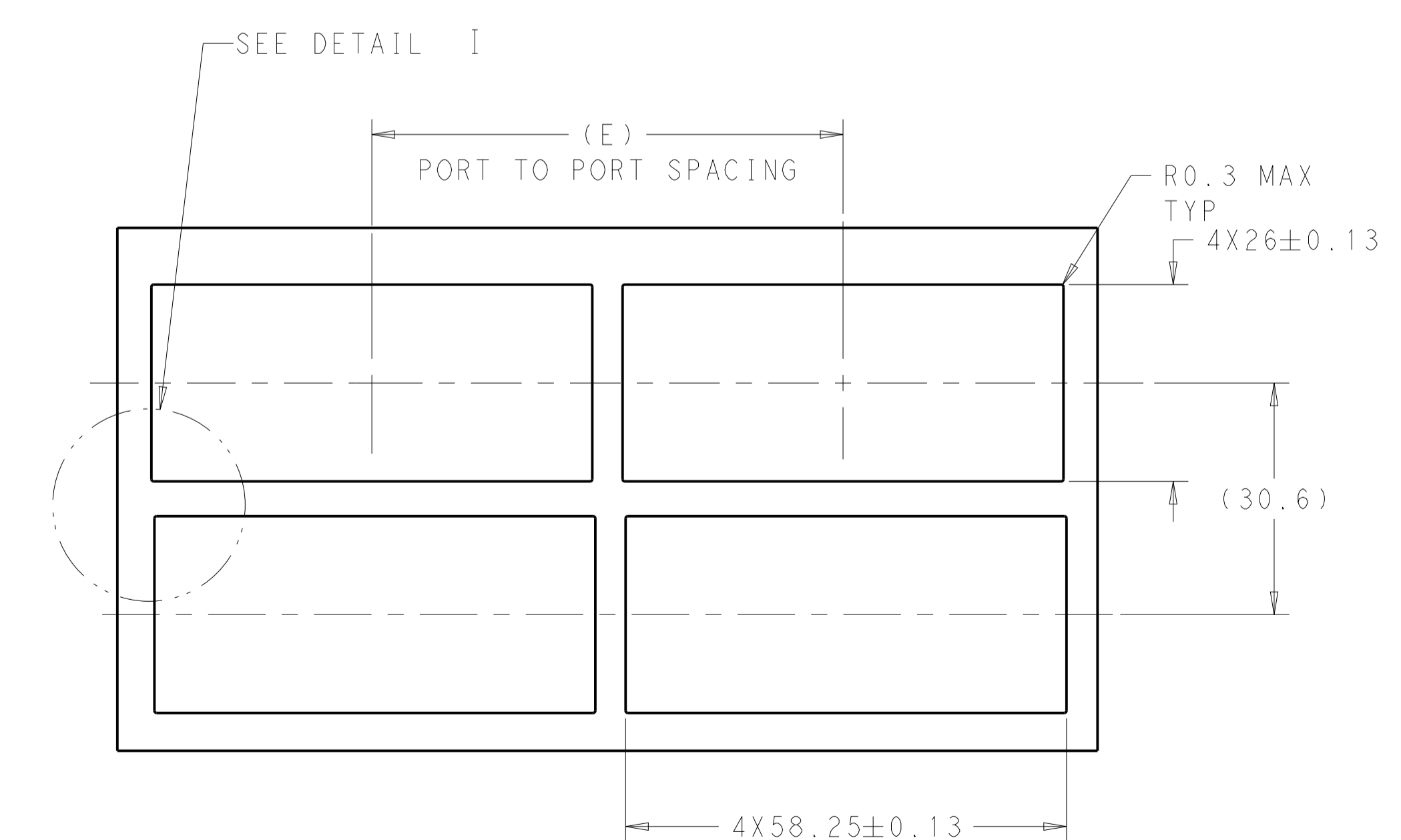


THIS DRAWING IS A CONTROLLED DOCUMENT.		OWN J. WANG 30MAY2019	TE Connectivity
DIMENSIONS: mm		CHK S. HAN 30MAY2019	
TOLERANCES UNLESS OTHERWISE SPECIFIED:		APVD S. HAN 30MAY2019	NAME RECEPTACLE ASSEMBLY, 2X4 zSFP+ STACKED BELLY TO BELLY
0 PLC ±0.25		PRODUCT SPEC 108-60129	
1 PLC ±0.25		APPLICATION SPEC 114-13319	SIZE CAGE CODE DRAWING NO. RESTRICTED TO A100779 ©=2357514
2 PLC ±0.25		WEIGHT	
3 PLC ±0.25		FINISH	SCALE 3:1 SHEET 3 OF 4 REV B
4 PLC ±0.25		ANGLES	
MATERIAL SEE NOTES		FINISH SEE NOTES	CUSTOMER DRAWING

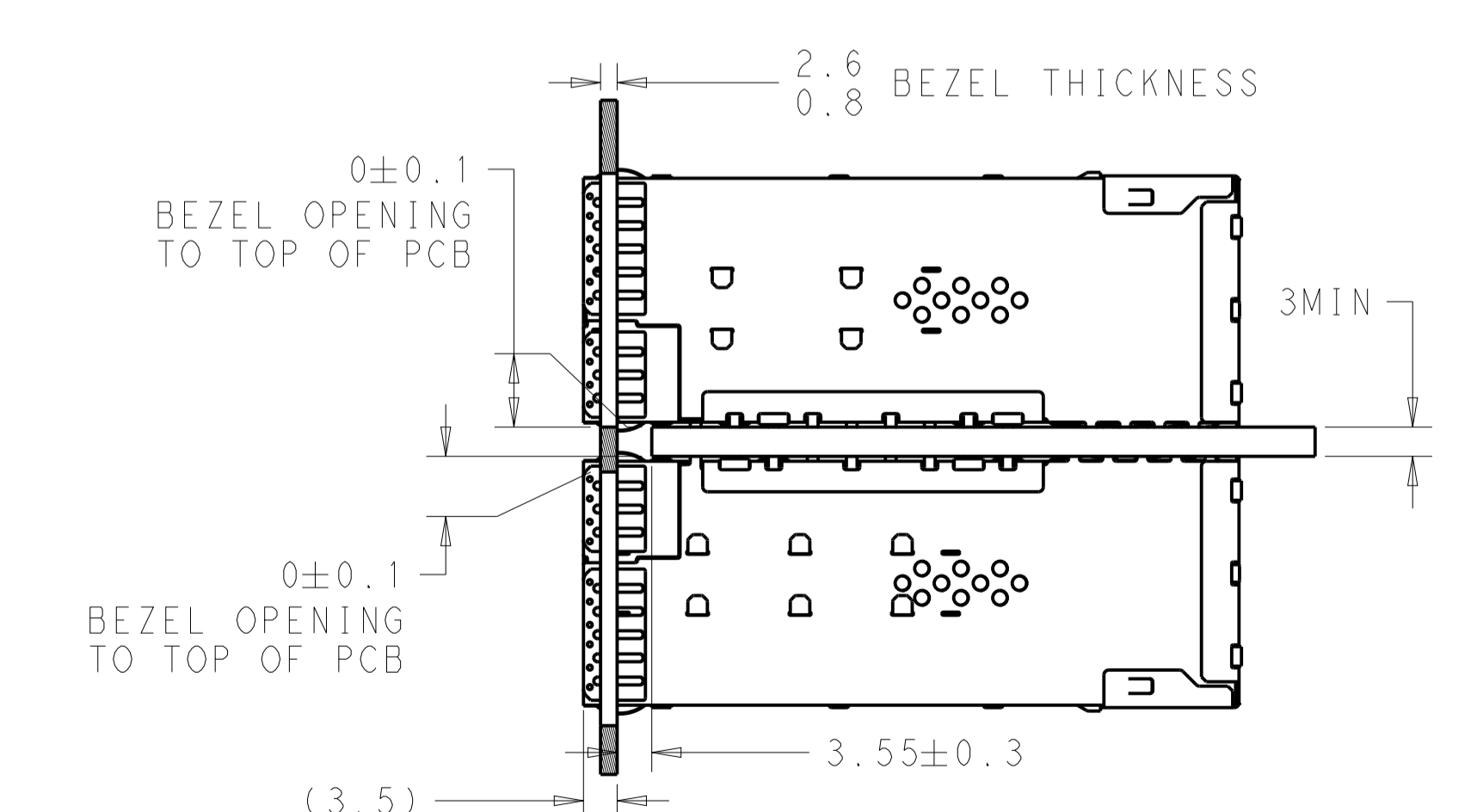
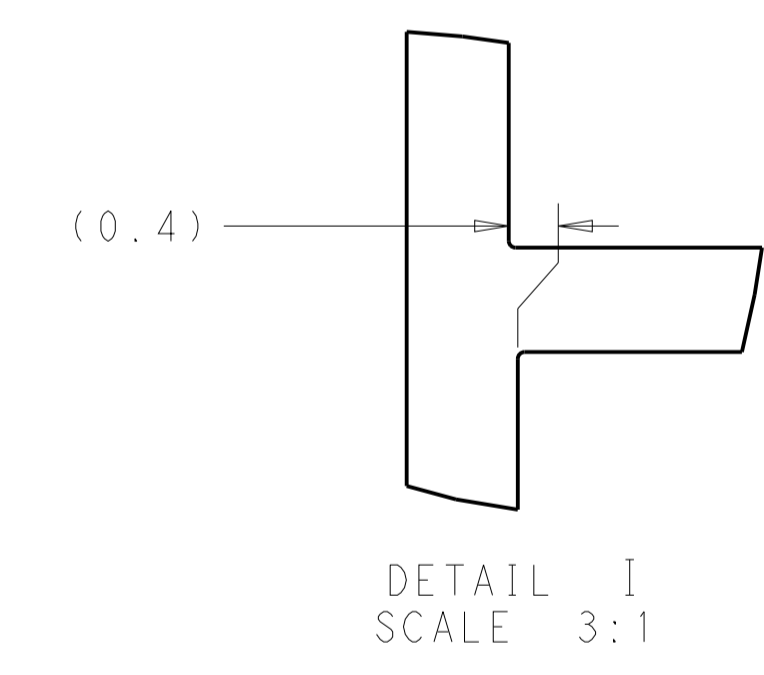
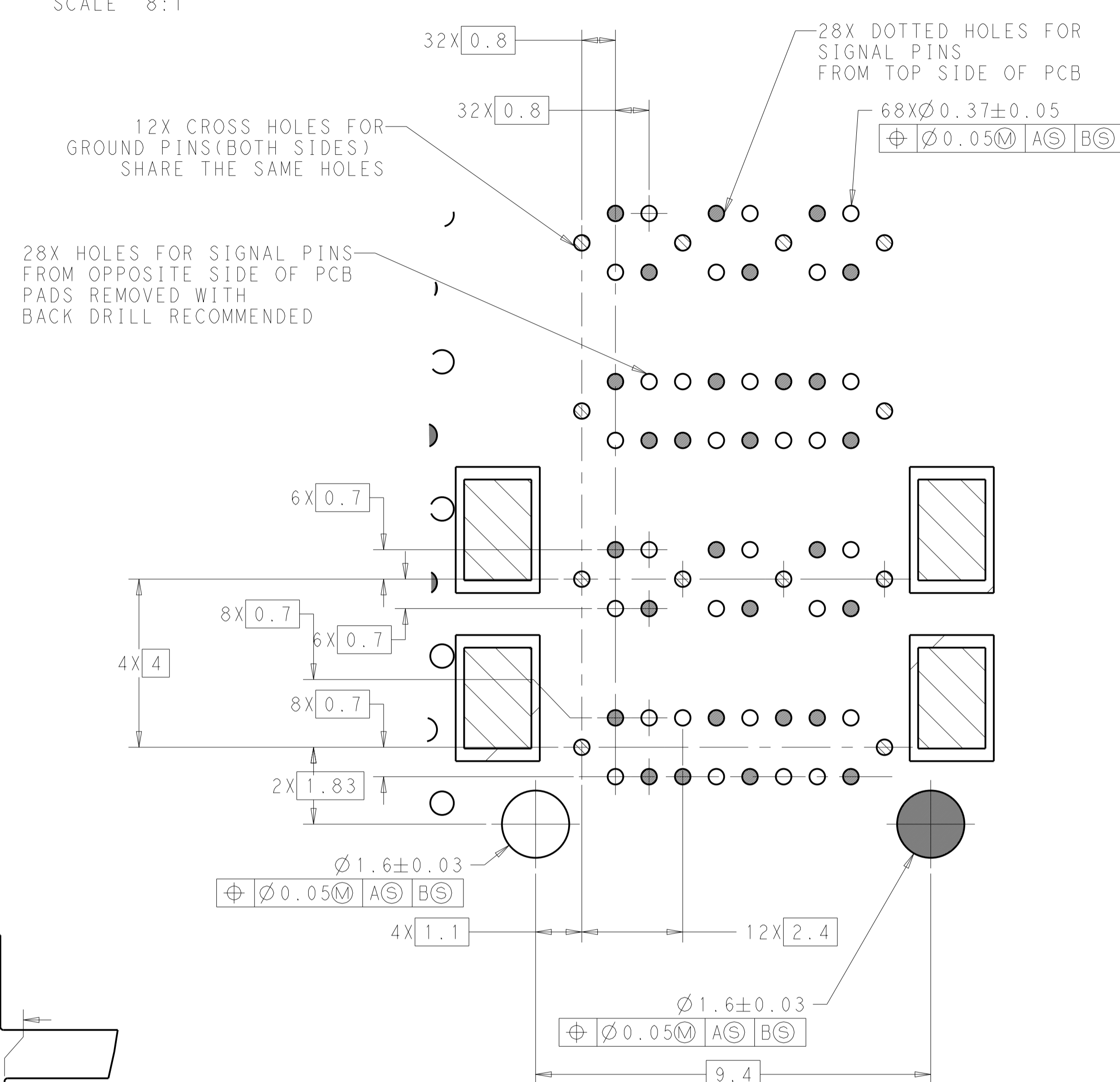
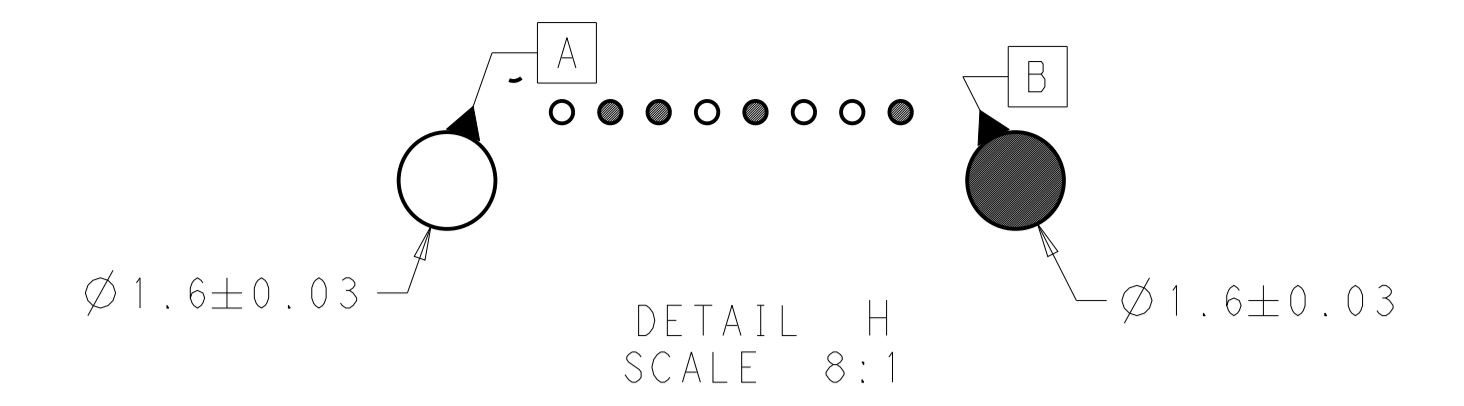
LOC		DIST		REVISIONS			
GP	00	P	LTN	DESCRIPTION	DATE	DNW	APVD
		-	-	SEE SHEET 1	-	-	-



RECOMMENDED BELLY TO BELLY PCB LAYOUT
 UNMAKRED DIMENSIONS SAME AS SINGLE SIDE LAYOUT



RECOMMENDED BEZEL CUT-OUT DETAIL
 FOR BELLY TO BELLY APPLICATION
 SCALE 3:2



THIS DRAWING IS A CONTROLLED DOCUMENT.		DNW J. WANG 30MAY2019	TE Connectivity
DIMENSIONS: mm		CHK S. HAN 30MAY2019	
TOLERANCES UNLESS OTHERWISE SPECIFIED:		APVD S. HAN 30MAY2019	NAME RECEPTACLE ASSEMBLY, 2X4 ZSFP+ STACKED BELLY TO BELLY
0 PLC	\pm	PRODUCT SPEC	SIZE 108-60129
1 PLC	± 0.25	APPLICATION SPEC	CAGE CODE 114-13319
2 PLC	± 0.25	WEIGHT	DRAWING NO A100779
3 PLC	± 0.25	FINISH	SCALE 3:1
4 PLC	\pm	SEE NOTES	SHEET 4 OF 4
ANGLES	\pm	CUSTOMER DRAWING	REV B