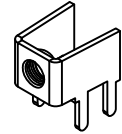
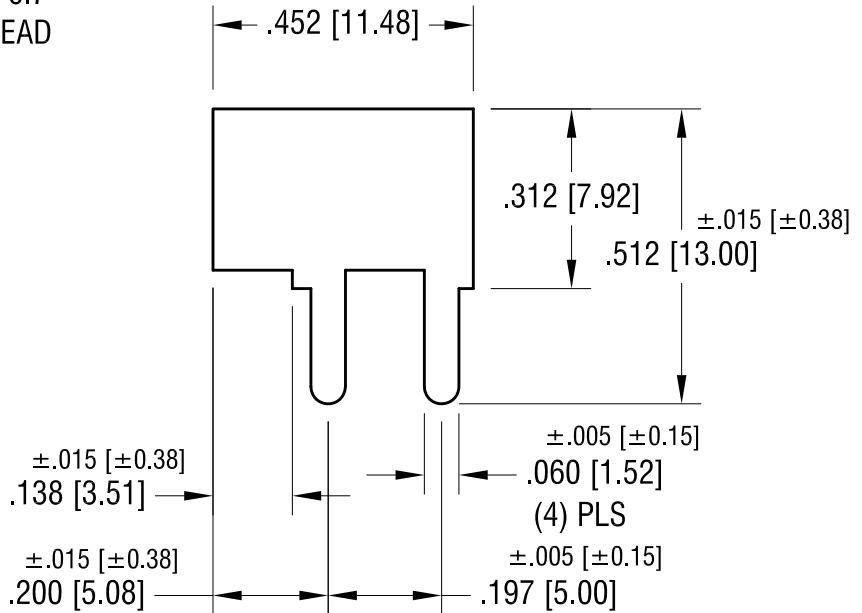
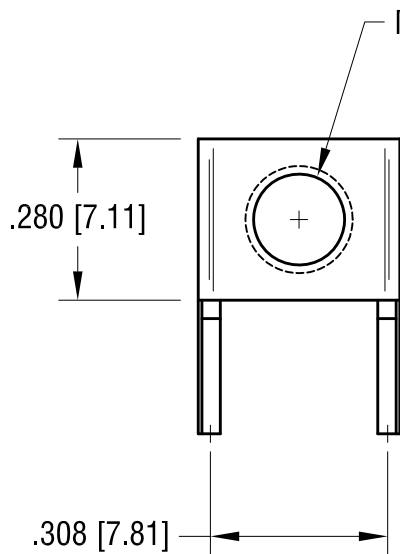
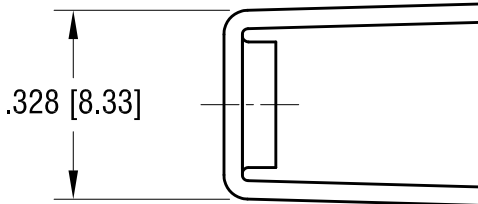
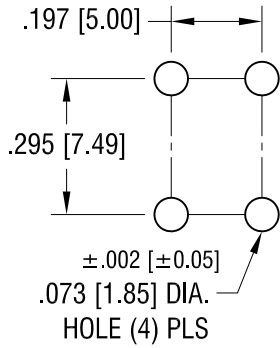


THIS DOCUMENT IS THE PROPERTY OF KEYSTONE ELECTRONICS CORP. AND SHALL NOT BE REPRODUCED, DISTRIBUTED OR USED AS A BASIS FOR MANUFACTURE WITHOUT PRIOR WRITTEN PERMISSION FROM KEYSTONE ELECTRONICS CORP.

**ACTUAL SIZE**



**MOUNTING DETAIL**



**KEYSTONE ELECTRONICS CORP.**

www.keyelco.com • NEW HYDE PARK NY 11040 • Tel (516)328-7500

PART NAME **PC SCREW TERMINAL**

MATERIAL **.032 [0.81] TH'K BRASS**

FINISH <b>MATTE TIN PLATE</b>	DRN BY <b>NT</b>	DATE <b>4.15.11</b>
	APP'D <b>RH</b>	SCALE <b>3X</b>

TOLERANCES INCH [MM]	CODE	DWG NO.
DECIMAL <b>±.010 [±0.25]</b>	<b>C</b>	<b>7764</b>
ANGULAR <b>± 1°</b> UNLESS OTHERWISE SPECIFIED		

3.10.23	CHANGE AS PER ECN 23-034	B
1.14.16	CHANGE AS PER ECN 16-004	A
DATE	DESCRIPTION	REV.