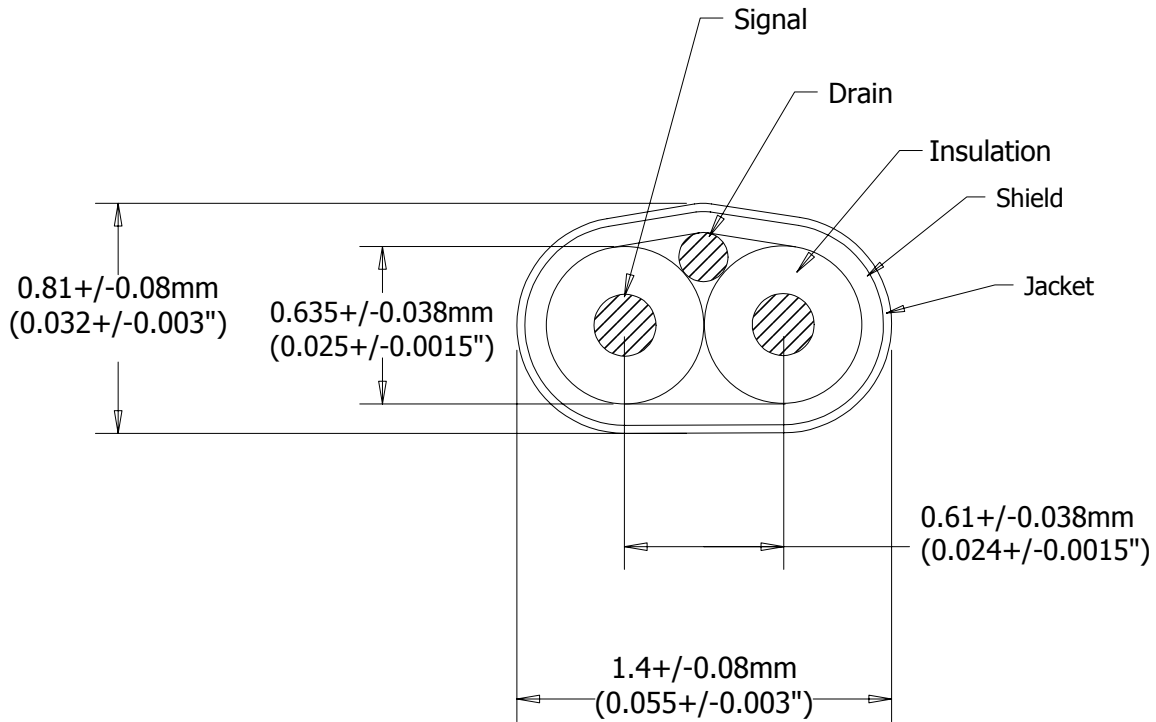


TITLE	PART No.	REV	PAGE
Shielded Pair 32 AWG, 100 Ohm Twinax	1000680071	B	1 of 1



NOTES

Construction:

- Conductor: 32 AWG, 0.20mm (0.00795") Solid SPC
- Insulation: Fluoropolymer
- Drain Wire: 34 AWG, 0.16mm (0.0063") Solid SPC
- Shield: Aluminum / Polyester Foil, 0.023mm (0.0009") Thickness Ref.
- Jacket: Polyester, Heat Sealed, 0.018mm (0.0007") Thickness Ref.
- Safety Compliance: VW-1



Electrical Characteristics:

(Based on a 2m Length)

- Differential Impedance: 100+/-5 Ohms
- Propagation Delay: 4.8 ns/m Ref.
- Intra-Pair Skew: 20 ps/2m Max.

SCD21

f < 20 GHz: 20 dB Min.

SCD21-SDD21

- 0.01 ≤ f < 12.89: 12 dB Min.
- 12.89 ≤ f < 15.7: (29-(29/22)f) dB Min.
- 15.7 ≤ f < 19: 8.3 dB Min.

Mechanical Characteristics

Min Bend Radius: 5X OD - Minor Axis

Based on 2m Test Length			
Freq (GHz)	SDD21		SCD21
	Nom. dB	Max. dB	Nom. dB
2.50	6.0	6.9	30
5.00	8.5	9.8	30
7.50	10.5	12.1	32
10.00	12.4	14.3	32
12.89	15.0	17.25	35
15.00	16.6	19.1	35
17.50	20.0	23.0	35
20.00	26.6	30.0	40

Print Legend (Drain Wire Side): MOLEX TEMP-FLEX(R) < LOCATION CODE: US or PHL > TWINMAX(TM) 32 AWG 1000680071 --- E61522 <UL CODE: -MPI for PHL, Blank for US> cRUus AWM 22046 I A/B 30V 105C FT1 VW-1 --- <LOT, DATE CODE>

This document is the property of TEMP-FLEX. It may not be disclosed, reproduced, or otherwise used without permission.	Rev	DCR	Description	App'd	Date
	A	5095	Update Print Legend to Add UL.	KP	9/6/16
	B	5237	Tape Change, New P/N. Color to Blue.	KP	4/20/17