

THIS DRAWING IS UNPUBLISHED.		RELEASED FOR PUBLICATION	
© COPYRIGHT - By -		ALL RIGHTS RESERVED.	
PROJECT	PRJ-16-000909157		
PART NO.	X-2308319-X		
DESCRIPTION	FULL METAL HOODS SIZE 1		
CUSTOMER	GENERAL MARKET		

REVISIONS					
P	LTR	DESCRIPTION	DATE	DWN	APVD
A2		REVISED PER ECR-16-014891	20OCT2016	KK	GG
A3		ECR-22-139688,CORRECT ERROR	19MAY2022	TF	CW

NOTES:

1. TEMPERATURE: -40°C TO +90°C.
2. STRAND DIAMETER OF CRIMP FLANGE: 2.7-8.7 mm.
3. CABLE DIAMETER WITH EXTERNAL CABLE CLAMP: 4-14 mm.
4. CABLE DIAMETER WITH INTERNAL CABLE CLAMP: d=4-10 mm (FOR d=4-7 mm TURN CABLE CLAMP).
5. CABLE BUSHING FOR CABLE DIAMETER 4-9 mm.

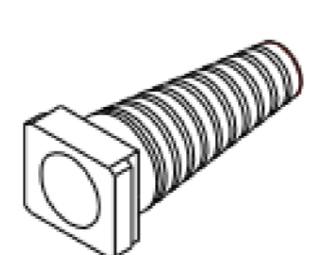
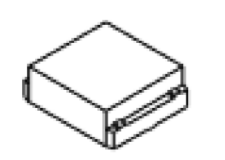
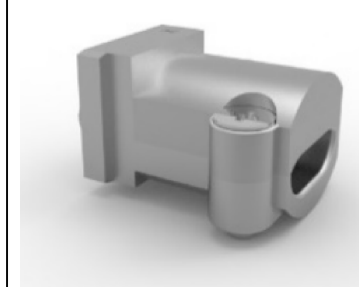
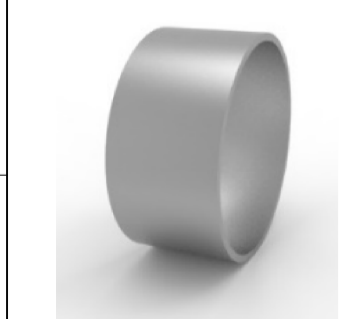
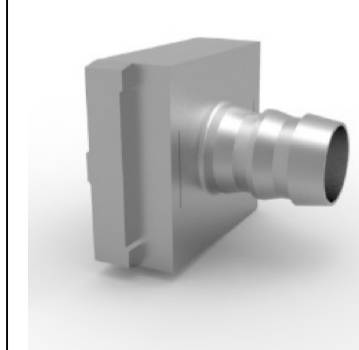
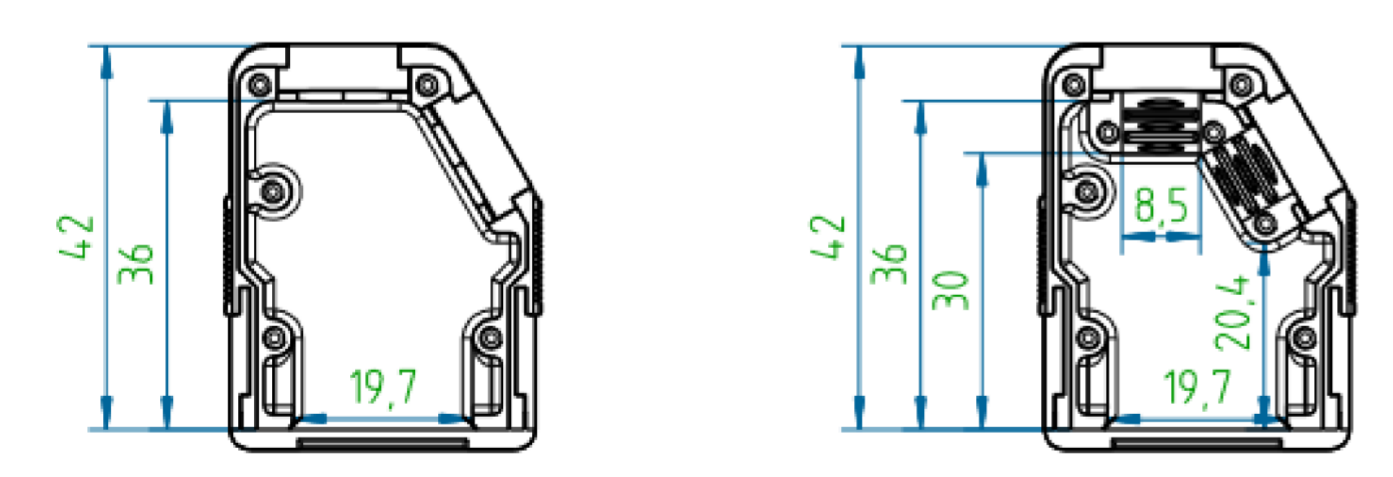
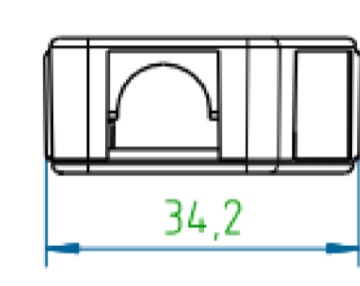
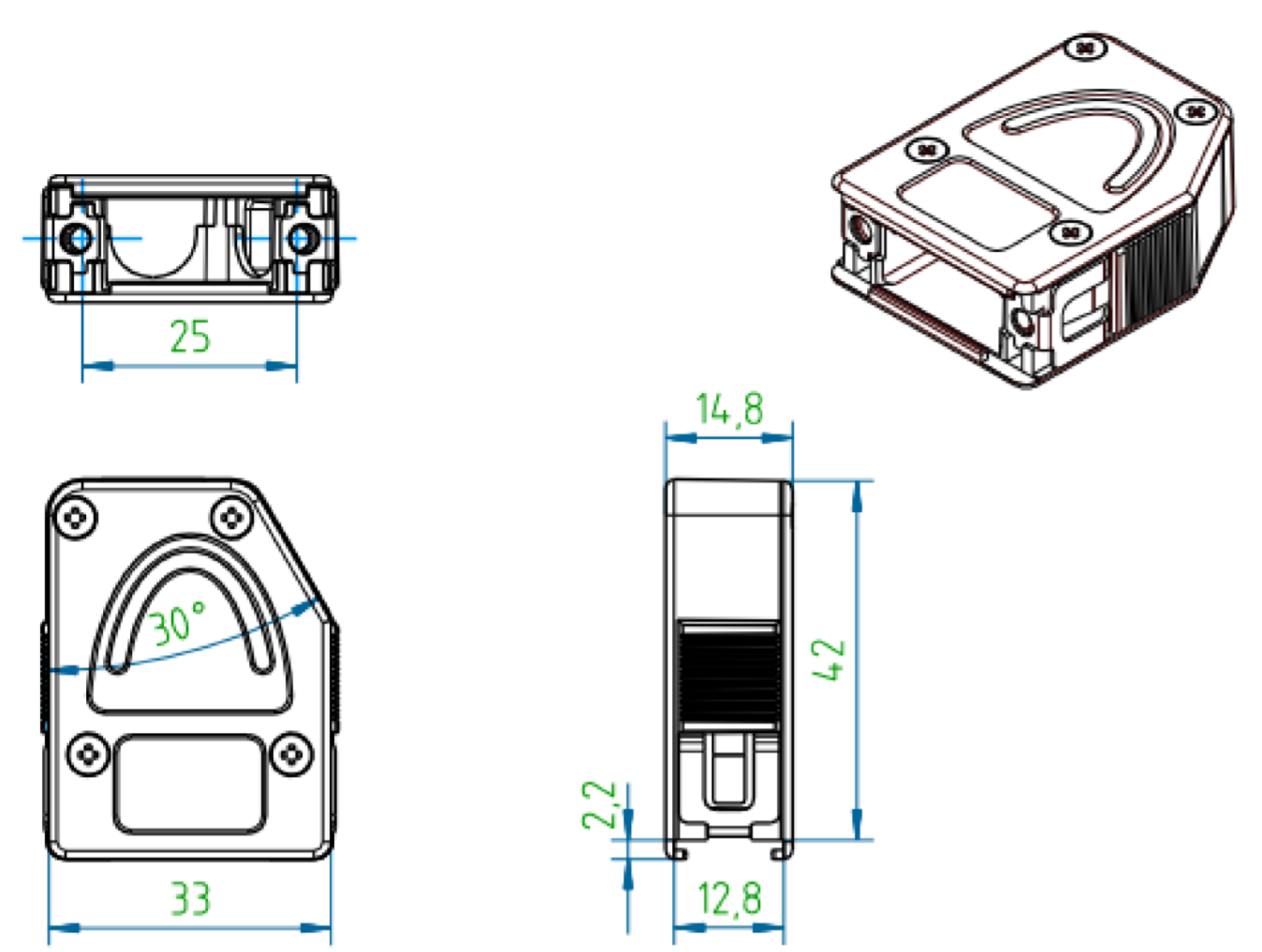
* CRIMP FLANGE PN *-2308349-* TO BE ORDERED SEPARATELY.

* CRIMP BARREL TO BE USED IN COMBINATION WITH THE FLANGE PN *-2308350-* TO BE ORDERED SEPARATELY.

* CABLE CLAMP SCREW VERSION PN *-2308272-* TO BE ORDERED SEPARATELY.

ASSY. PART NO.	DESCRIPTION	SUB-PART DESCRIPTION	POS.3	POS.5	POS.6	POS.7	WEIGHT, g
1-2308319-5	FULL METAL HOOD1 5	HOUSING 2	-	2	2	3	53
1-2308319-4	FULL METAL HOOD1 4	HOUSING 2	1	1	1	2	55
1-2308319-3	FULL METAL HOOD1 3	HOUSING 2	-	2	-	3	51
1-2308319-2	FULL METAL HOOD1 2	HOUSING 2	1	1	-	2	53
1-2308319-1	FULL METAL HOOD1 1	HOUSING 1	1	-	-	-	49

SL NO.	QTY	PART NO.	DESCRIPTION (MATERIAL, FINISH)
9	1	-	SCREW M2.5x5 (CASE HARDENING STEEL, ZINC-PLATED)
8	4	-	SCREW M2.5x6.5 (CASE HARDENING STEEL, ZINC-PLATED)
7	SEE TAB. POS.7	-	SCREW M2.5x6 (CASE HARDENING STEEL, ZINC-PLATED)
6	SEE TAB. POS.6	-	CABLE BUSHING (EPTR SANTOPRENE)
5	SEE TAB. POS.5	-	CABLE CLAMP (BAND STEEL, ZINC-PLATED)
4	2	-	CATCH SPRING (STAINLESS STEEL, RAW)
3	SEE TAB. POS.3	-	BLIND PLATE (ZINC ALLOY, RAW)
2	1	-	COVER (ZINC ALLOY, RAW)
1	1	SEE TAB. POS.1	HOUSING (ZINC ALLOY, RAW)



THIS DRAWING IS A CONTROLLED DOCUMENT.		DWN KIRAN K 03AUG2016	TE Connectivity																			
DIMENSIONS: mm		CHK GUNASEKHAR G 03AUG2016																				
TOLERANCES UNLESS OTHERWISE SPECIFIED: DIN ISO 2768 m		APVD GUNASEKHAR G 03AUG2016	NAME FULL METAL HOODS SIZE 1																			
<table border="1"> <tr><td>0 PLC</td><td>±</td><td>-</td></tr> <tr><td>1 PLC</td><td>±</td><td>-</td></tr> <tr><td>2 PLC</td><td>±</td><td>-</td></tr> <tr><td>3 PLC</td><td>±</td><td>-</td></tr> <tr><td>4 PLC</td><td>±</td><td>-</td></tr> <tr><td>ANGLES</td><td>±</td><td>-</td></tr> </table>		0 PLC	±	-	1 PLC	±	-	2 PLC	±	-	3 PLC	±	-	4 PLC	±	-	ANGLES	±	-	PRODUCT SPEC	SIZE A2	
0 PLC	±	-																				
1 PLC	±	-																				
2 PLC	±	-																				
3 PLC	±	-																				
4 PLC	±	-																				
ANGLES	±	-																				
MATERIAL		APPLICATION SPEC	CAGE CODE 00779	DRAWING NO C=2308319																		
FINISH		WEIGHT	SCALE NTS	SHEET 1 of 1																		
		CUSTOMER DRAWING	REV A3	RESTRICTED TO																		