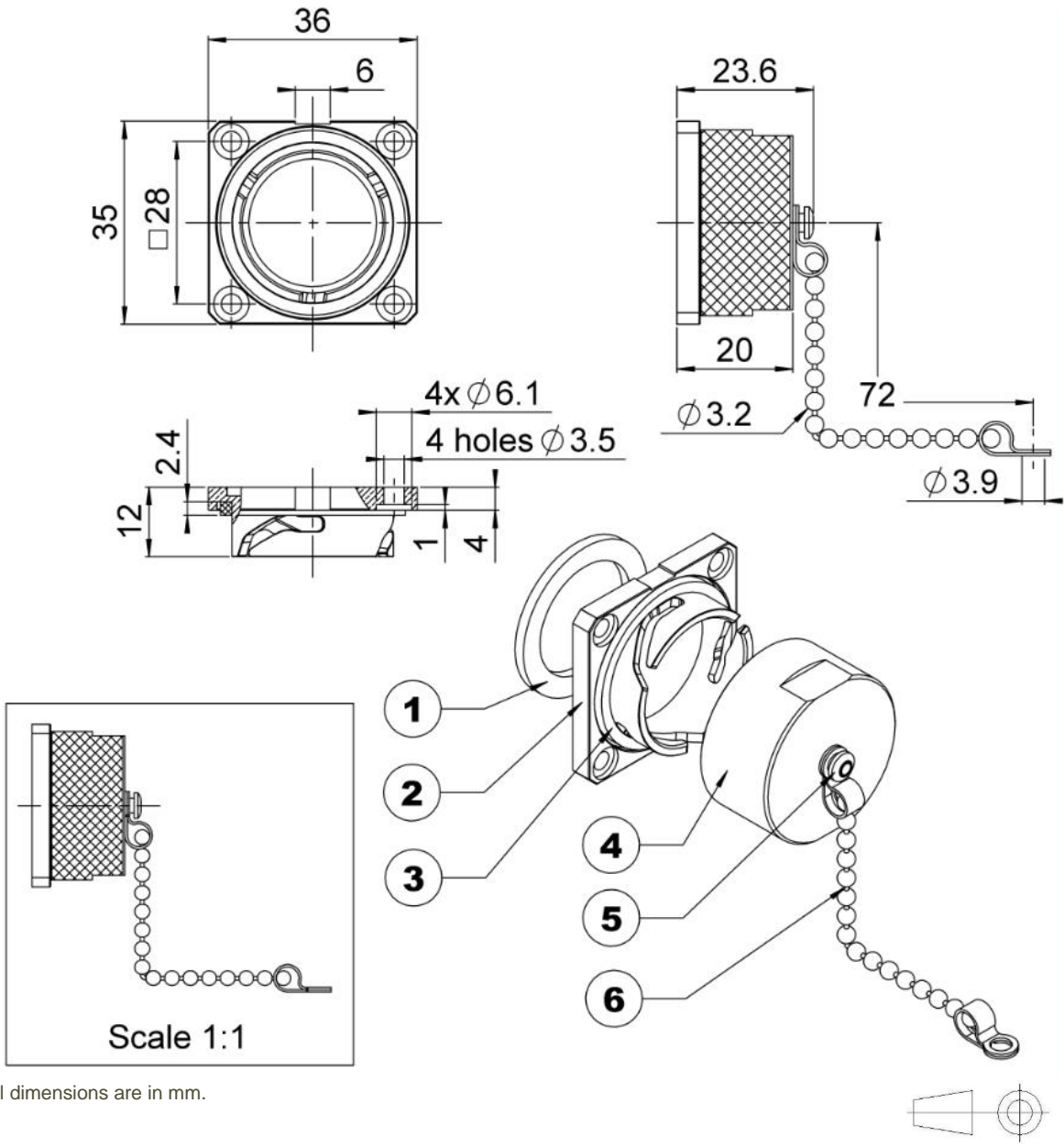


PAGE 1/2	ISSUE 18-10-18A	SERIES R2CT	PART NUMBER R2CT107018
----------	-----------------	-------------	------------------------



All dimensions are in mm.

**DESCRIPTION**

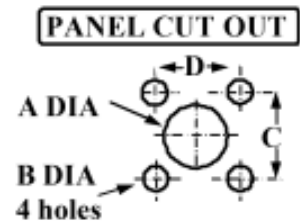
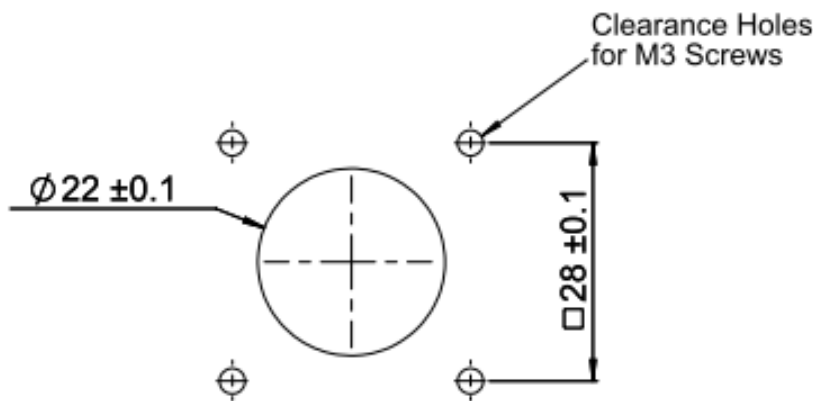
REP	COMPONENTS	MATERIALS	PLATING
1	GASKET PANEL SEALING	SILICONE + anti-fungus treatment	
2	RECEPTACLE BODY	BRASS	TIN NICKEL OVER COPPER
3	GASKET CONNECTION SEALING	SILICONE + anti-fungus treatment	
4	PROTECTION CAP	ALUMINIUM (matt finish)	ANODISING
5	LOCK PLATE	BRASS	BBR
6	CHAIN	BRASS	BBR

PAGE 2/2	ISSUE 18-10-18A	SERIES R2CT	<b>PART NUMBER R2CT107018</b>
----------	-----------------	-------------	-------------------------------

GENERAL CHARACTERISTICS

<b>Mechanical :</b> Endurance Vibrations	<b>100 mating cycles</b> In accordance with IEC 61300-2-1 IEC 60721-3-4 class 4M5 ETSI EN 300 019-2-4
<b>Environmental:</b> Protection Operating temperature RoHS	<b>IP67(plugged with metal protection cap or mated part)</b> -40°C to + 85°C Compliant
<b>Weight :</b>	<b>46g</b>
<b>Packaging</b>	<b>56 pieces in one cardboard box (volume = 5L)</b> For other packaging, contact us

PANEL CUT OUT



	mm	
	Maxi	mini
<b>A</b>	22.1	21.9
<b>B</b>	M3	
<b>C</b>	28.1	27.9
<b>D</b>	28.1	27.9

All dimensions are in mm.