

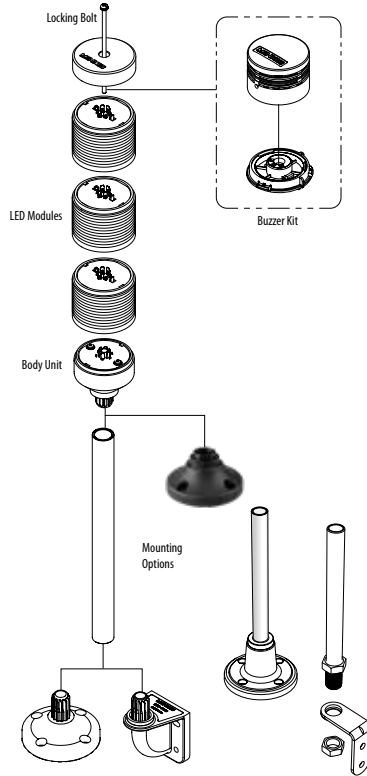


PTE Series

Ø56mm LED Modular Stack Light
Steady & Flashing lights with buzzer



- LED modular components
- Optional buzzer at 80 or 100dB (fixed or adjustable volume)
- Lead wire or terminal connection
- Pole mounting or direct mounting



Ordering Information

PTE - A F - 3 02 - RYGB C - B
① ② ③ ④ ⑤ ⑥

① Top Head Style	PTE	Standard
	PTD	Dome Head
② Body Unit Mounting / Connection	A	Pole Mounting/ Lead Wires
	SC	Direct Mounting / Lead Wires
	T	Pole Mounting/ Terminal Connection
	TC	Direct Mounting/ Terminal Connection
③ Light Style		Steady Light
	F	Steady & Flashing Light
④ Number of Stacks	1	1 Light
	2	2 Lights
	3	3 Lights
	4	4 Lights
	5	5 Lights
⑤ Power Supply	02	24V AC/DC
	FF	90~240V AC
⑥ Lens Colors (top to bottom)	R	Red
	Y	Yellow
	G	Green
	B	Blue
	C	Clear

Optional Parts

Body Units

Body Type		Voltage	Part Number	
			Steady	Steady & Flashing
Lead Wire Connection	Pole Mounting	90~240V AC	PTE-A-FF-B	PTE-AF-FF-B
		24V AC/DC	PTE-A-02-B	PTE-AF-02-B
	Direct Mounting	90~240V AC	PTE-SC-FF-B	PTE-SCF-FF-B
		24V AC/DC	PTE-SC-02-B	PTE-SCF-02-B
Terminal Connection	Pole Mounting	90~240V AC	PTE-T-FF-B	PTE-TF-FF-B
		24V AC/DC	PTE-T-02-B	PTE-TF-02-B
	Direct Mounting	90~240V AC	PTE-TC-FF-B	PTE-TCF-FF-B
		24V AC/DC	PTE-TC-02-B	PTE-TCF-02-B

LED Modules

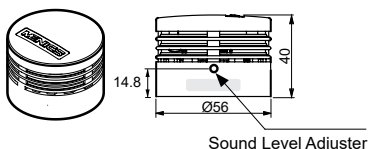
LED Color	Part Number	
	Standard Module	Dome Head Module
Red	PTE-02-R	PTD-02-R
Yellow	PTE-02-Y	PTD-02-Y
Green	PTE-02-G	PTD-02-G
Blue	PTE-02-B	PTD-02-B
*Clear	PTE-02-C	PTD-02-C

*Clear Module cannot be used with Buzzer.

Locking Bolts

	# Lights	Part Number	Size
PTE	1 Stack	B-PTE-1	M4, 65mm
	2 Stacks	B-PTE-2	M4, 105mm
	3 Stacks	B-PTE-3	M4, 145mm
	4 Stacks	B-PTE-4	M4, 185mm
	5 Stacks	B-PTE-5	M4, 225mm
PTD	1 Stack	B-PTD-1	M4, 83mm

*Note: Do NOT count Buzzer as a stack.



Buzzer Kits (Optional)

Alarm Style	Part Number
Fixed Sound Level	MPZ-56F-B
Adjustable up to 80±5dB	MPZ-56G-B
Adjustable up to 100±5 dB	MPZ-56H-B

*Note: Max. number of tier including Buzzer is 5.

See page 21-23 for mounting options and accessories

Specifications

Body Units

Operation/Function	Steady/ Flashing
Power Supply	24V AC/DC, 90~240V AC 50/60 Hz
Alarm Sound Level	Fixed: 80±5dB Adjustable: 10~80±5dB, 10~100±5dB
Lens Color	Red, Yellow, Green, Blue & Clear
Lens Diameter	56 mm (2.2 inch)
Maximum Tier	5
Flash Rate	80±5 times/ minute
Vibration	0.75mm at 10~55Hz
Ambient Temperature	-15°C~40°C
Storage Temperature	-20°C ~ 70°C
Ambient Humidity	45~85% RH
Degree of Protection	IP65 / IP50 (with Buzzer)
Approvals	CE , UL, RoHS
Recommended Wire Size	1007 UL / 22 AWG

LED Modules

Color		Red	Yellow	Green	Blue	Clear
Current Consumption	24V	33mA	27mA	42mA	42mA	42mA
	90-240V	17mA	17mA	22mA	22mA	22mA
Weight	Approx. 43g					

Buzzer Kits

Model	MPZ-56F-B	MPZ-56G-B	MPZ-56H-B
Style	Fixed Sound	Adjustable Sound	Adjustable Sound
Sound Level	80±5dB	10~80±5dB	10 ~ 100±5dB
Current Consumption / Power	30mA / 0.72W	30mA / 0.72W	150mA / 3.6W
Weight	32.2g	33g	33g

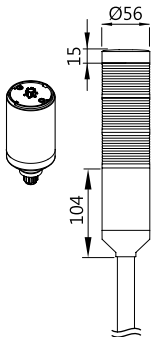
Dimensions

unit: mm

Lead Wire Connection

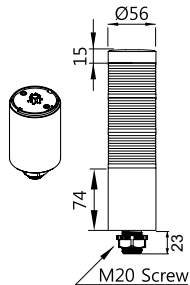
Pole Mounting

PTE-A-□□
PTE-AF-□□



Surface Mounting

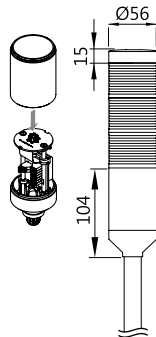
PTE-SC-□□
PTE-SCF-□□



Terminal Connection

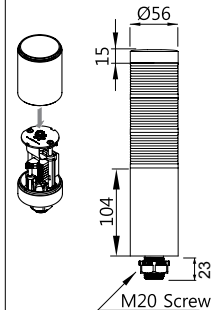
Pole Mounting

PTE-T-□□
PTE-TF-□□

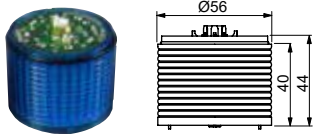


Surface Mounting

PTE-TC-□□
PTE-TCF-□□



Standard Modules



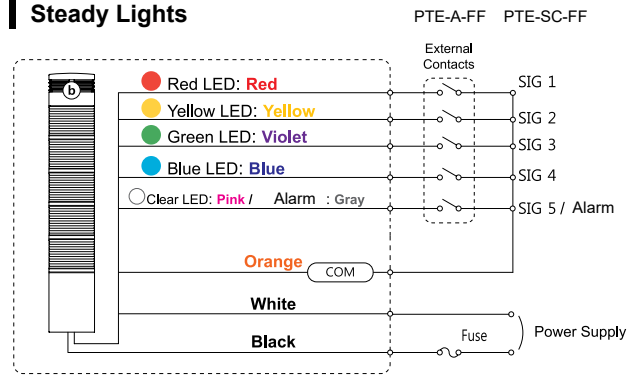
Dome Head Modules



Wiring Diagram

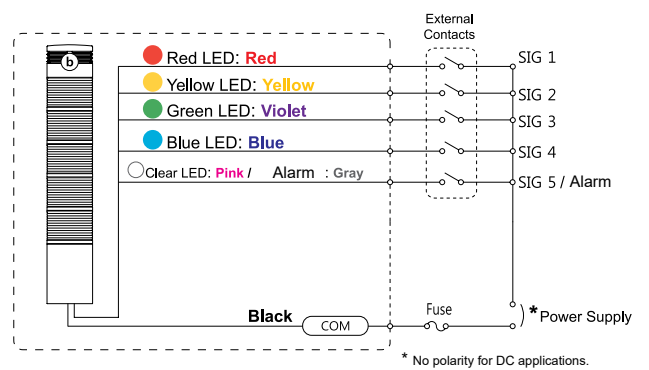
90-240V AC

Steady Lights



24V DC/AC

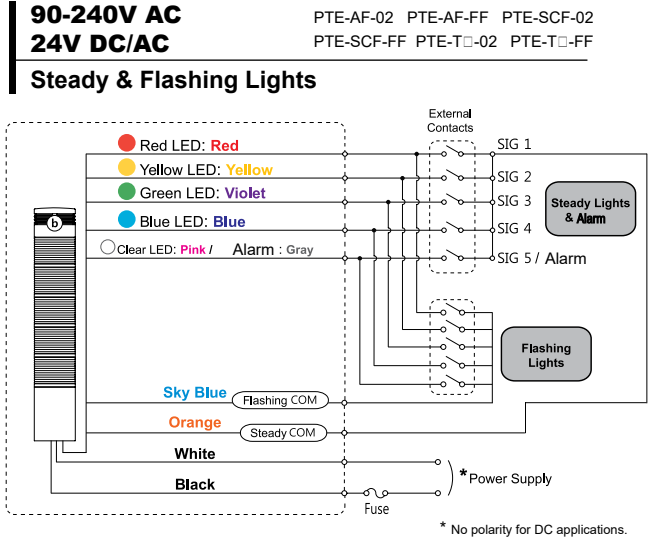
Steady Lights



90-240V AC

24V DC/AC

Steady & Flashing Lights



Terminal Connections

PIN	Description
R	Red LED
Y	Yellow LED
G	Green LED
B	Blue LED
Z	Clear LED or Buzzer
COM	Steady COM
F	Flashing COM
A	Power Supply
B	No Polarity for DC Applications.