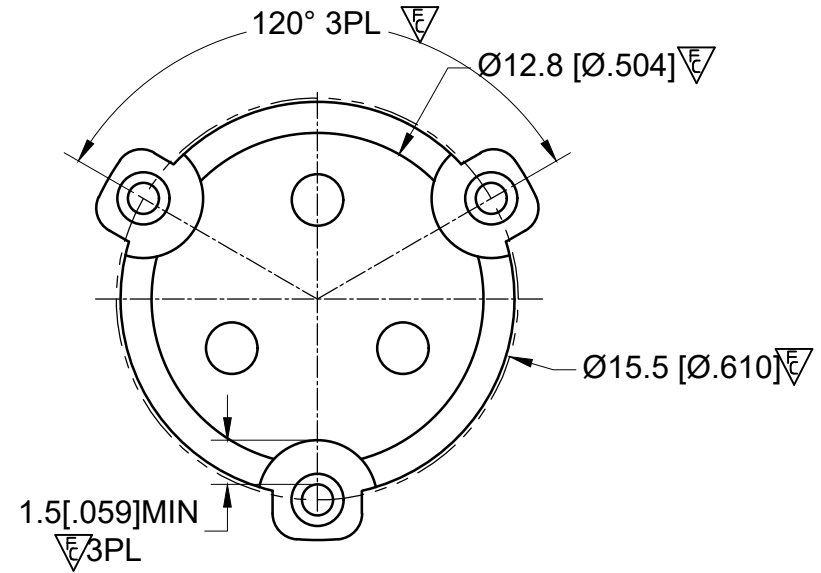
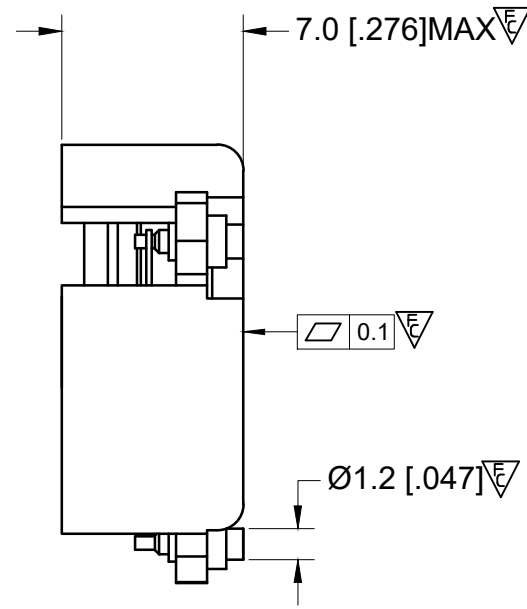
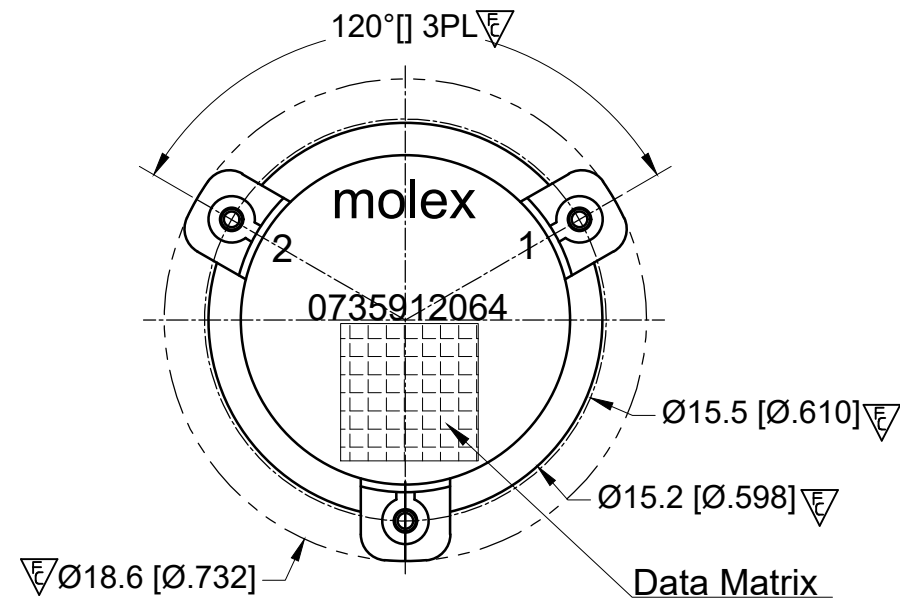
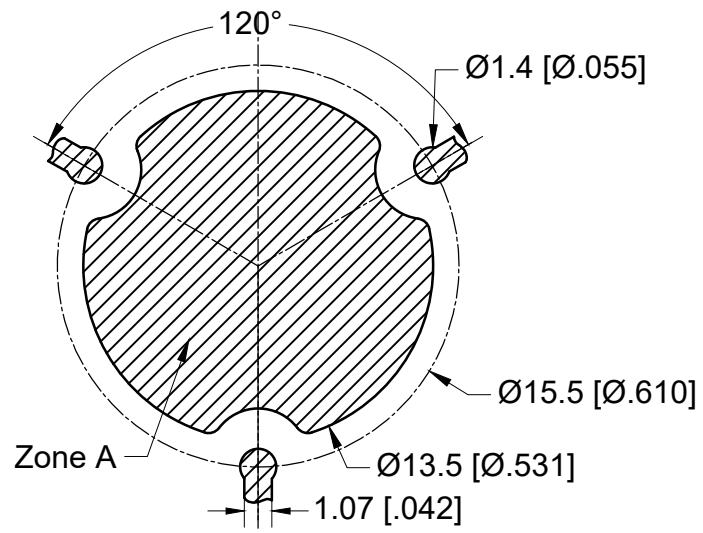
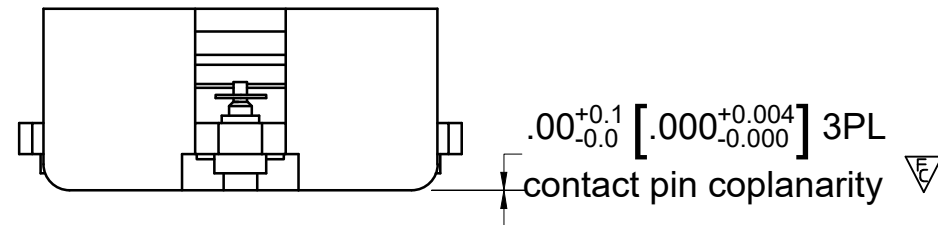


RECOMMENDED LAND PATTERN :

Zone A must be attached to heat sink. Thermal conductivity of intermediate layers between Zone A and heat sink must be better than 0.1 W / [°C x mm].



PCB Material :Rogers RO4350B,0.508mm thickness
trace width 1.07mm wide.



ELECTRICAL SPECIFICATIONS :

- Frequency range : 3400~3800MHz
- Isolation : 20 dB min.
- Return loss : 23 dB min.
- Insertion loss : 0.25dB max.
- Attenuation (2 x TX) : 10 dB min
- (3 x TX) : 7 dB min
- (N x TX) : 5 dB min
- Input power(within freq.range) : 80 W max
- Input power peak(within freq.range) : 800 W max
- Reflected power : 80W max
- IM3(50W x 2 tones 5M) : -65 dBc max
- Harmonics (2 x TX @ 100W CW) : 60 dBc min
- (3 x TX @ 100W CW) : 60 dBc min
- Operating temperature range : -40 to +115°C
- Storage temperature range : -40 to +125°C
- Direction : CCW

MATERIAL :

BODY : STEEL, SILVER PLATED
PIN : COPPER , SILVER PLATED

NOTES :

- 1.STANDARD INPUT/OUTPUT IMPEDANCE 50 Ohm
- 2.LEAD FREE, NO Nd MATERIAL, BeO FREE
- 3.THE DIMENSION OF DATA MATRIX IS 5.3X5.3MM INFORMATION INCLUDING WORK ORDER NUMBER-SERIAL NUMBER-MATERIAL NUMBER
- 4.THIS PART COMPLIES WITH ALL RoHS REQUIREMENTS

ENG PART#: 812-340-380-WP040

| | | | | | | | | | | | | |
|--|---|------------------------|-------|-----------------|-------------------|-------------------|--|-----------------|-------------------------------------|----------------------------------|----------|--------------|
| FUNCTIONAL SYMBOLS | THIS DRAWING CONTAINS INFORMATION THAT IS PROPRIETARY TO MOLEX ELECTRONIC TECHNOLOGIES, LLC AND SHOULD NOT BE USED WITHOUT WRITTEN PERMISSION | | | | | | | | | | | |
| | DIMENSION UNITS | | SCALE | | CURRENT REV DESC: | | | | | | | |
| MM | | 1:1 | | RELEASE TO PROD | | | | | | | | |
| GENERAL TOLERANCES (UNLESS SPECIFIED) | | mm | | INCH | | EC NO: 696580 | | 2022/02/21 | | SMSJ CIRCULATOR/3400~3800MHZ/CCW | | |
| 4 PLACES ±0.25 ±---- | | ±---- | | ±---- | | DRWN: SREN05 | | 2022/02/23 | | | | |
| 3 PLACES ±0.05 ±---- | | ±---- | | ±---- | | CHK'D: JLI252 | | 2022/03/01 | RESTRICTED PRODUCT CUSTOMER DRAWING | | | |
| 2 PLACES ±0.13 ±---- | | ±---- | | ±---- | | APPR: HWANG186 | | 2022/03/01 | | | | |
| 1 PLACE ±0.25 ±---- | | ±---- | | ±---- | | INITIAL REVISION: | | DOCUMENT NUMBER | | 735912064 | | |
| 0 PLACES ±0.4 ±---- | | ±---- | | ±---- | | DRWN: SREN05 | | 2021/11/12 | DOC TYPE | | DOC PART | REVISION |
| ANGULAR TOL ± 1.5 ° | | ±---- | | ±---- | | APPR: HWANG186 | | 2022/03/01 | PSD | 000 | A | |
| DRAFT WHERE APPLICABLE MUST REMAIN WITHIN DIMENSIONS | | THIRD ANGLE PROJECTION | | DRAWING | | SERIES | | MATERIAL NUMBER | | CUSTOMER | | SHEET NUMBER |
| | | | | A3-SIZE | | 73591 | | 0735912064 | | CUSTOM PART | | 1 OF 1 |