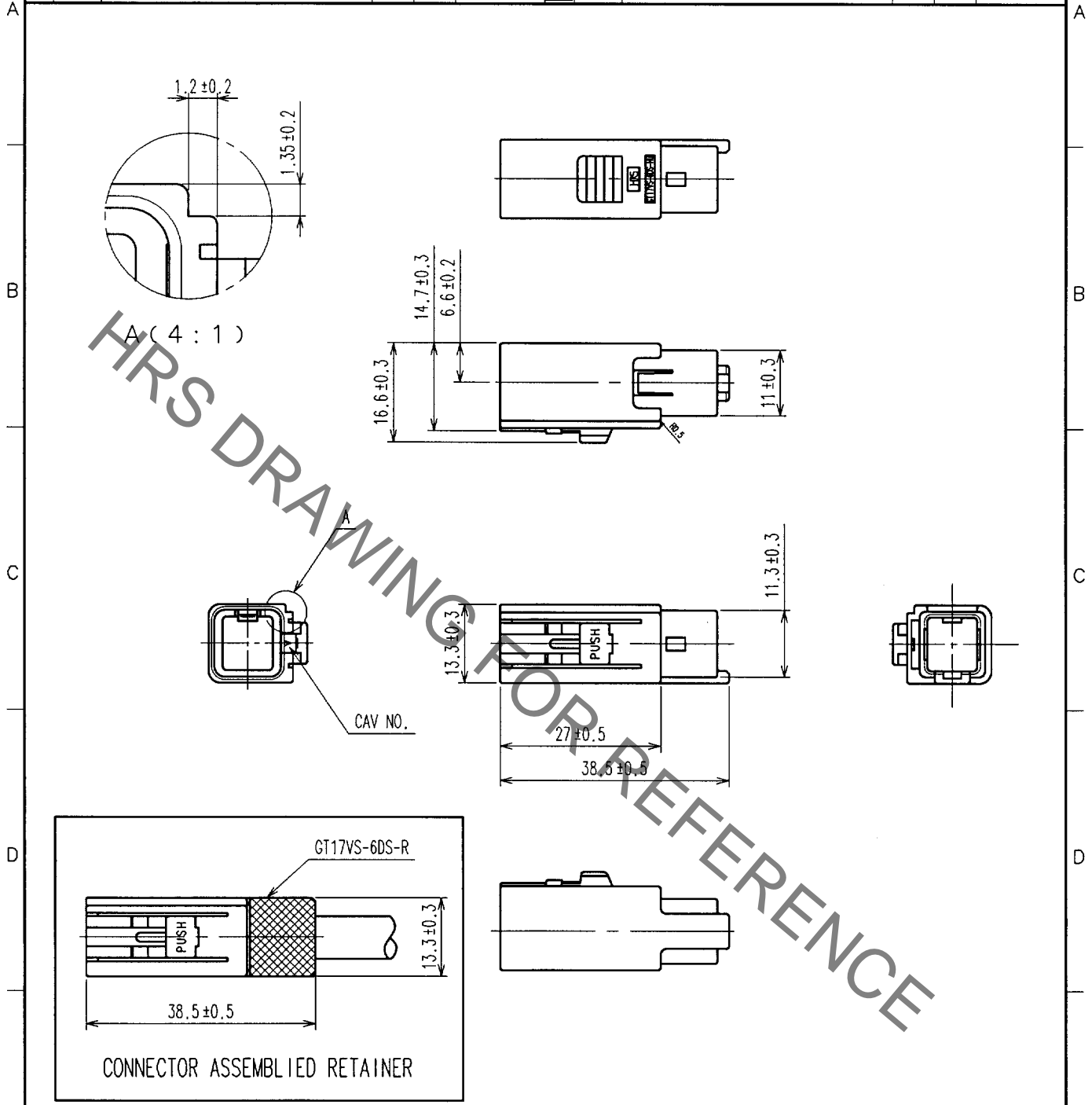


May.1.2023 Copyright 2023 HIROSE ELECTRIC CO., LTD. All Rights Reserved.
In case of consideration for using Automotive equipment / device which demand high reliability, kindly contact our sales window correspondents.

1	2	3	4						
COUNT	DESCRIPTION OF REVISIONS	BY	CHKD	DATE	COUNT	DESCRIPTION OF REVISIONS	BY	CHKD	DATE
△					△				
△					△				
△					△				



NOTE1. THIS CONNECTOR SHALL BE USED THAT RETAINER (CL767-0053-2) WAS ASSEMBLED.
2. APPLICABLE CABLE DIA : ϕ 4.8 TO ϕ 5.2

1	PBT	LIGHT GRAY
NO.	MATERIAL	FINISH, REMARKS

CODE NO. (OLD)	DRAWN	DESIGNED	CHECKED	APPROVED	RELEASED
	N. HARUBAYASHI	N. HARUBAYASHI	K. Aoto	K. Aoto	
	' 04.10.21	' 04.10.21	' 04.10.22	' 04.10.22	

TO
AMC

 SACLE 1 : 1 UNITS mm	DRAWING NO. EDC4-165622	PART NO. GT17VS-6DS-HU		
	 HIROSE ELECTRIC CO., LTD.	CODE NO. CL767-0051-7	<table border="1"> <tr><td>1</td></tr> <tr><td>1</td></tr> </table>	1
1				
1				