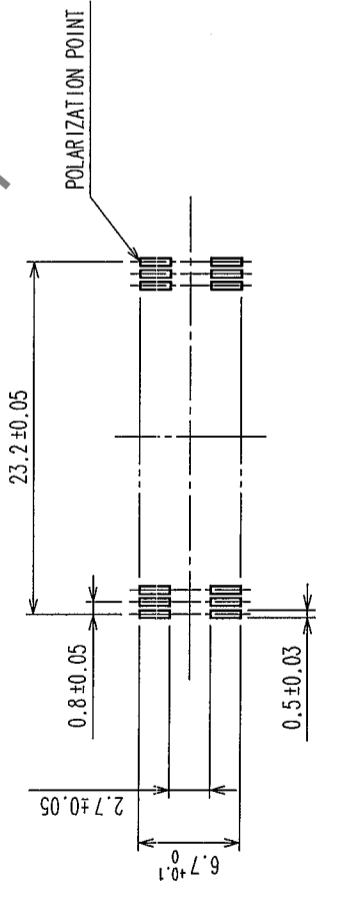
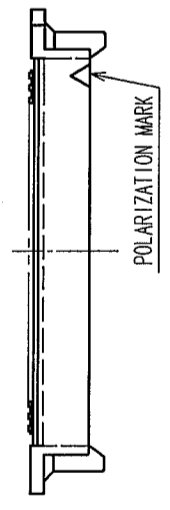
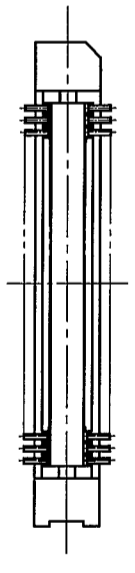
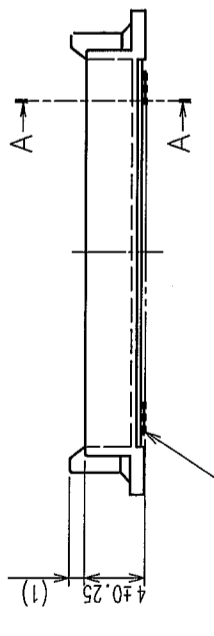
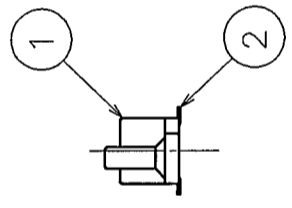
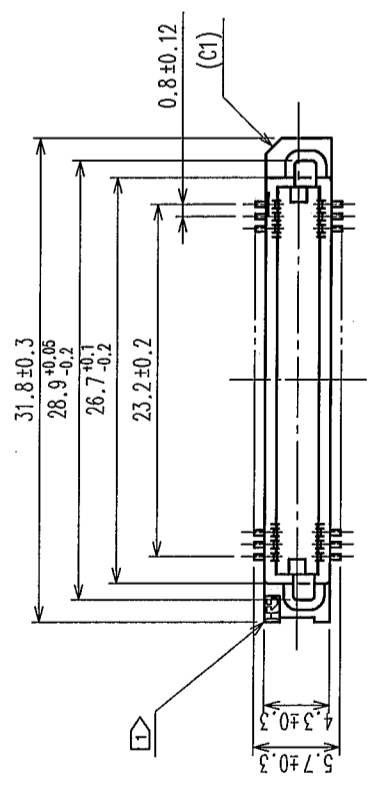


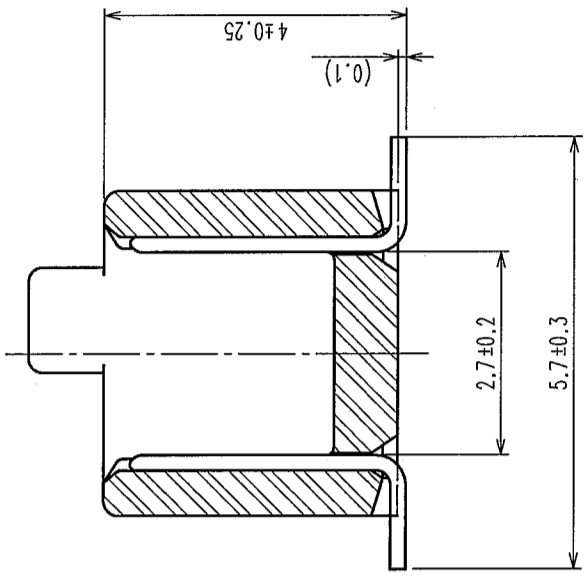
May.1.2023 Copyright 2023 HIROSE ELECTRIC CO., LTD. All Rights Reserved.
 2 In case of consideration for using Automotive equipment / device which demand high reliability, kindly contact our sales window correspondents.

COUNT	DESCRIPTION OF REVISIONS	BY	CHKD	DATE	COUNT	DESCRIPTION OF REVISIONS	BY	CHKD	DATE
△				.. .	△				.. .
△				.. .	△				.. .
△				.. .	△				.. .



RECOMMENDED P.C.B. LAND PATTERN (MOUNT SIDE)

A-A (10:1)



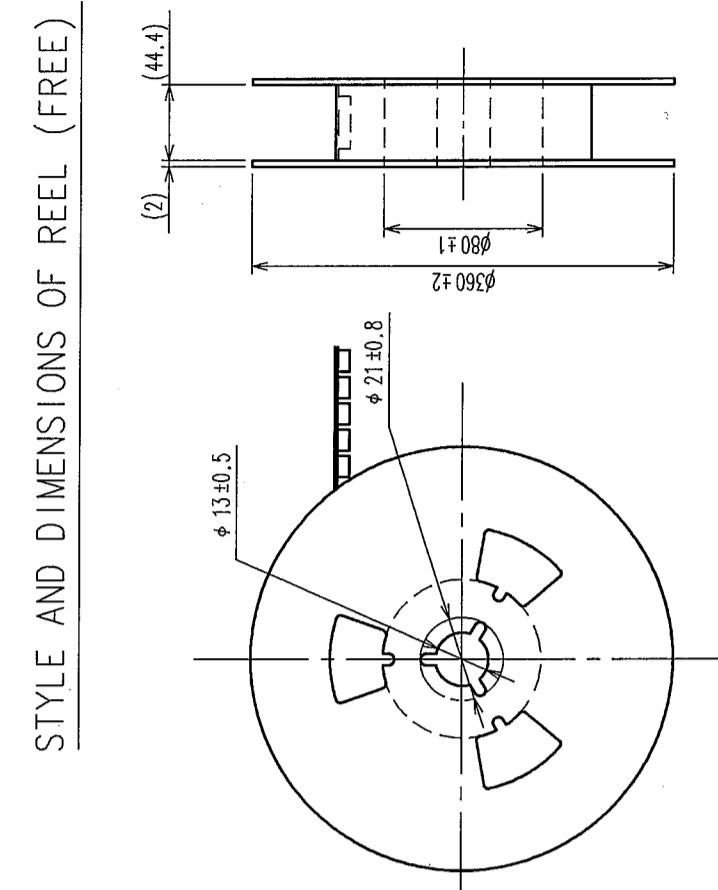
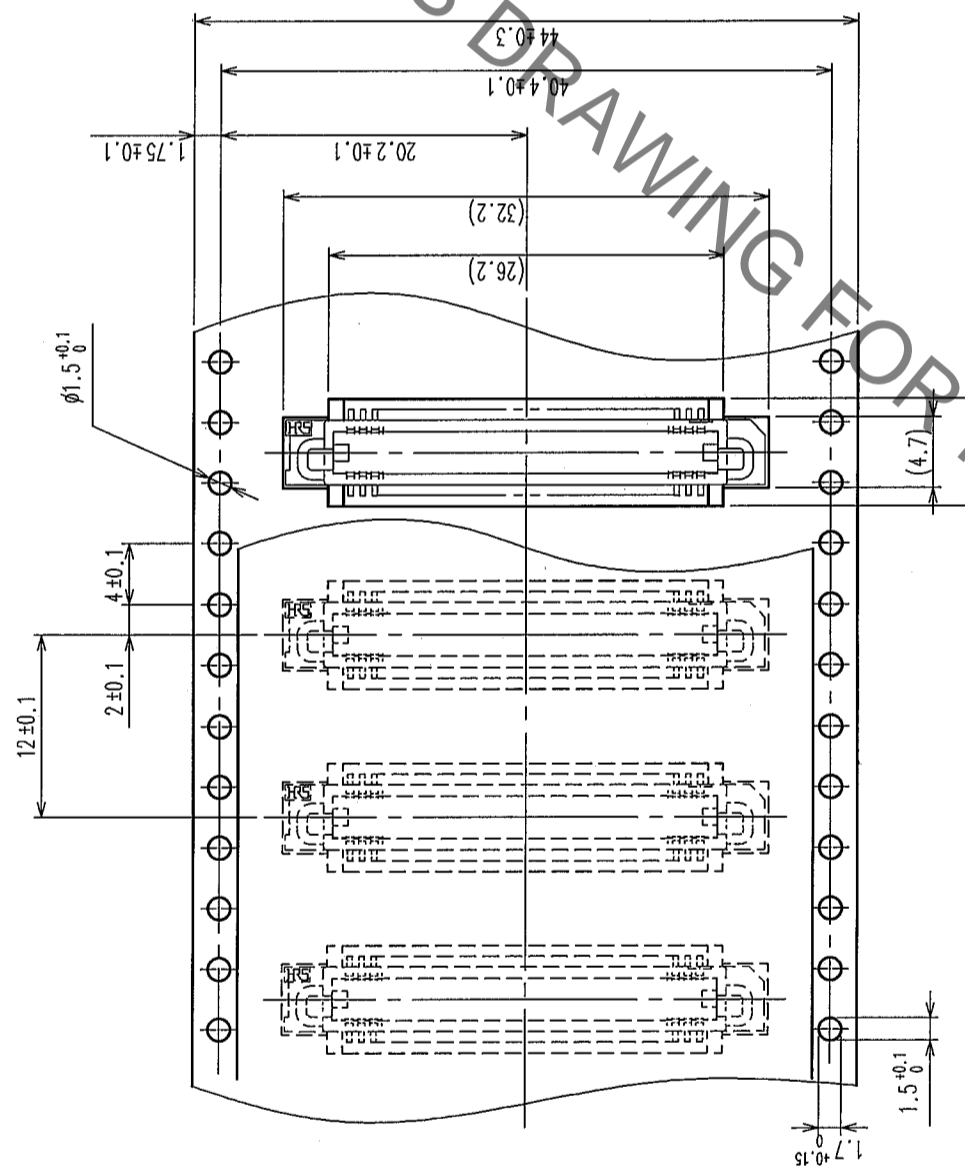
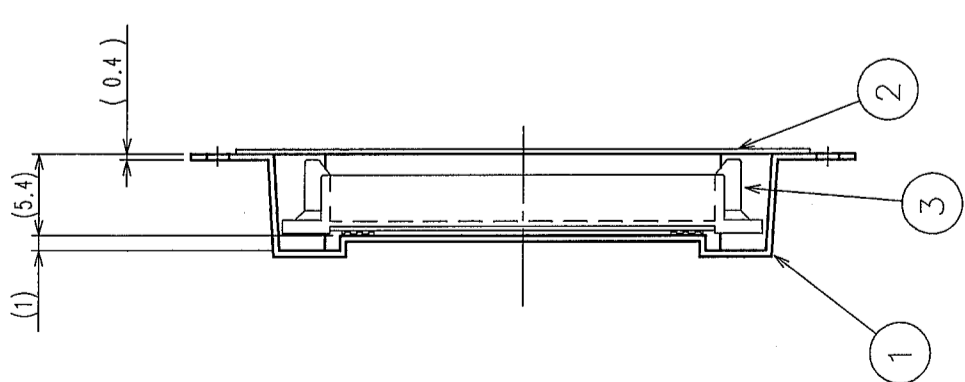
HRS DRAWING FOR REFERENCE

- NOTE ① HRS MARK SHALL BE OPTIONAL.
 2 LEAD CO-PLANARITY SHALL BE 0.1mm MAX.
 3 THE DIMENSIONS IN PARENTHESES ARE FOR REFERENCE.
 4 EMBOSSED CARRIER TAPE PACKAGING SHALL BE APPLIED FOR THIS PRODUCT.
 5 FOR MODIFICATION, ETC, PREVENTIVE HOLE FOR SINK MARK MAY BE ADDED ACCORDING TO CIRCUMSTANCES.

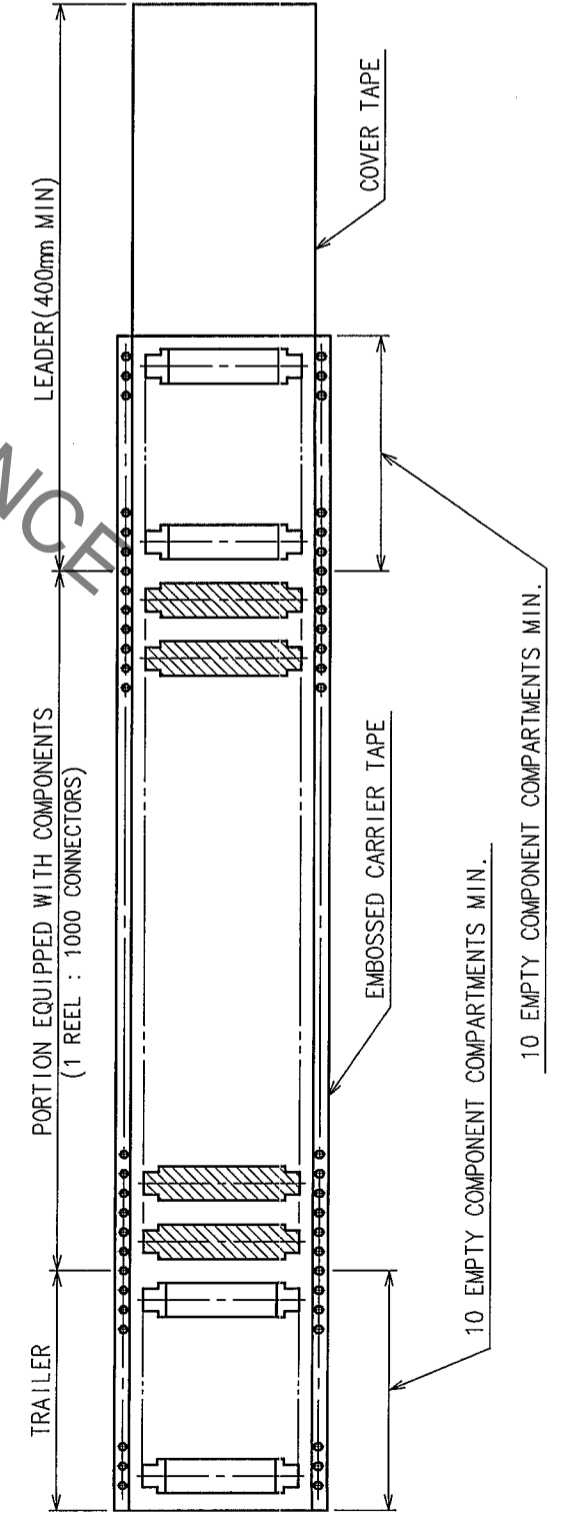
1	POLYPHENYLENE SULFIDE	LIGHT BROWN	UL94V-0				
NO.	MATERIAL	FINISH	REMARKS	NO.	MATERIAL	FINISH	REMARKS
2	PHOSPHOR BRONZE						
CONTACT AREA : GOLD 0.1μm min.							
LEAD AREA : GOLD FLASH							
UNDER PLATING : NICKEL 1.5μm min.							
DRAWN Y. AOYAGI '05.09.16				DESIGNED J. Mada '05.09.26		CHECKED A. Ogawa '05.09.26	
CODE NO. (OLD)				APPROVED H. Okawa '05.09.27			
DRAWING NO. EDC3-071324-22				PART NO. FX6A-60P-0.8SV (92)			
SCALE 2 : 1				CODE NO. CL576-0205-3-92			
UNITS mm				HIROSE ELECTRIC CO., LTD			

TO

COUNT	DESCRIPTION OF REVISIONS	BY	CHKD	DATE	COUNT	DESCRIPTION OF REVISIONS	BY	CHKD	DATE



STYLE AND DIMENSIONS OF REEL (FREE)



NOTE 1 THE DIMENSIONS IN PARENTHESES ARE FOR REFERENCE.
2 1 REEL : 1000 CONNECTORS.

POLYESTER COVER TAPE		EMBOSSED CARRIER TAPE		(CONNECTOR)	
NO.	MATERIAL	FINISH, REMARKS	NO.	MATERIAL	FINISH, REMARKS
2	POLYESTER	COVER TAPE	3		
1	POLYSTYRENE	EMBOSSED CARRIER TAPE	3		

CODE NO. (OLD)	DRAWN	DESIGNED	CHECKED	APPROVED	RELEASED
	Y. AOYAGI '05.09.16	J. Mada '05.09.26		J. Ogawa / H. Kawara '05.09.26	

DRAWING NO.	PART NO.
EDC3-071324-22	FX6A-60P-0.8SV (92)

SCALE	UNITS	CODE NO.
2 : 1	MM	CL576-0205-3-92

TO