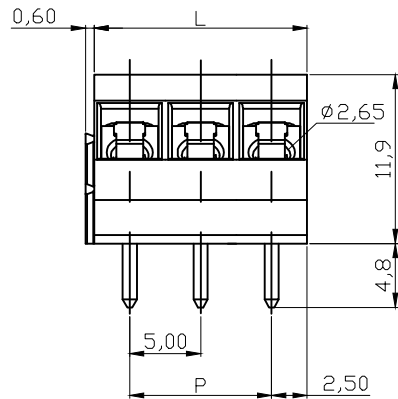
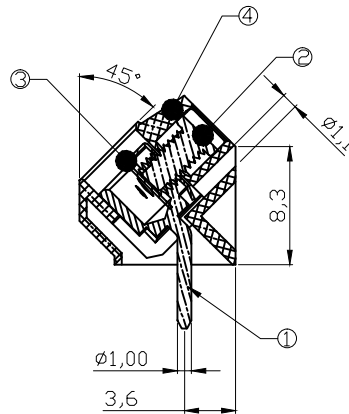


RECOMMENDED PCB LAYOUT



N=NUMBER OF CONTACTS



Material

- Item ① Terminal body(metal housing): Brass(CuZn),Tin plated
- Item ② Terminal screw: Steel Zinc plating "-" slot type
- Item ③ Wire guard: Stainless steel
- Item ④ Insulator (housing): Thermoplastic(UL94V-0),Black

Electrical

- Voltage rating: 300VAC
- Current rating: 15A
- Wire range:
- Solid wire(AWG): 14-22
- Stranded wire(AWG): 14-22
- Torque(Lb-In): 3.5
- Screw: M2.6
- Wire strip length: 6-7mm
- Withstanding Voltage: 1.6KV
- Operating temperature: -40°C to +115°C
- Soldering temperature: 250°C±10°C/5 Sec
- Safety Approval: us

N=Number of poles
 L=Nx5.0
 P=(N-1)x5.0

POLES	L	P
2p-6p	±0.20	±0.15
7p-12p	±0.25	±0.20
13p-18p	±0.30	±0.25
19p-24p	±0.40	±0.30

RoHS compliant

Unit: mm



File No.: E349947

Scale	1:1	Date	14.09.2007	Name	Dean	Customer-No.	ASSMANN WSW-No. A-TB500-VYxx
TOLERANCE		Drawn	14.09.2007	Hellwig	Replace	Sheet	
X.	±0.50	Approved	18.04.2016	Joanna			
X.X	±0.30	③ Add UL	18.04.2016	Joanna	Drawing-No. ASS 2336 CO	rev03	
X.XX	±0.10	② Update	20.04.2010	Dean			
DIM	TOL	① Drawn	14.09.2007	Hellwig	ASSMANN WSW components	H	
X.°	±1°	Id.	Modification	Date			Name
Angle	TOL						