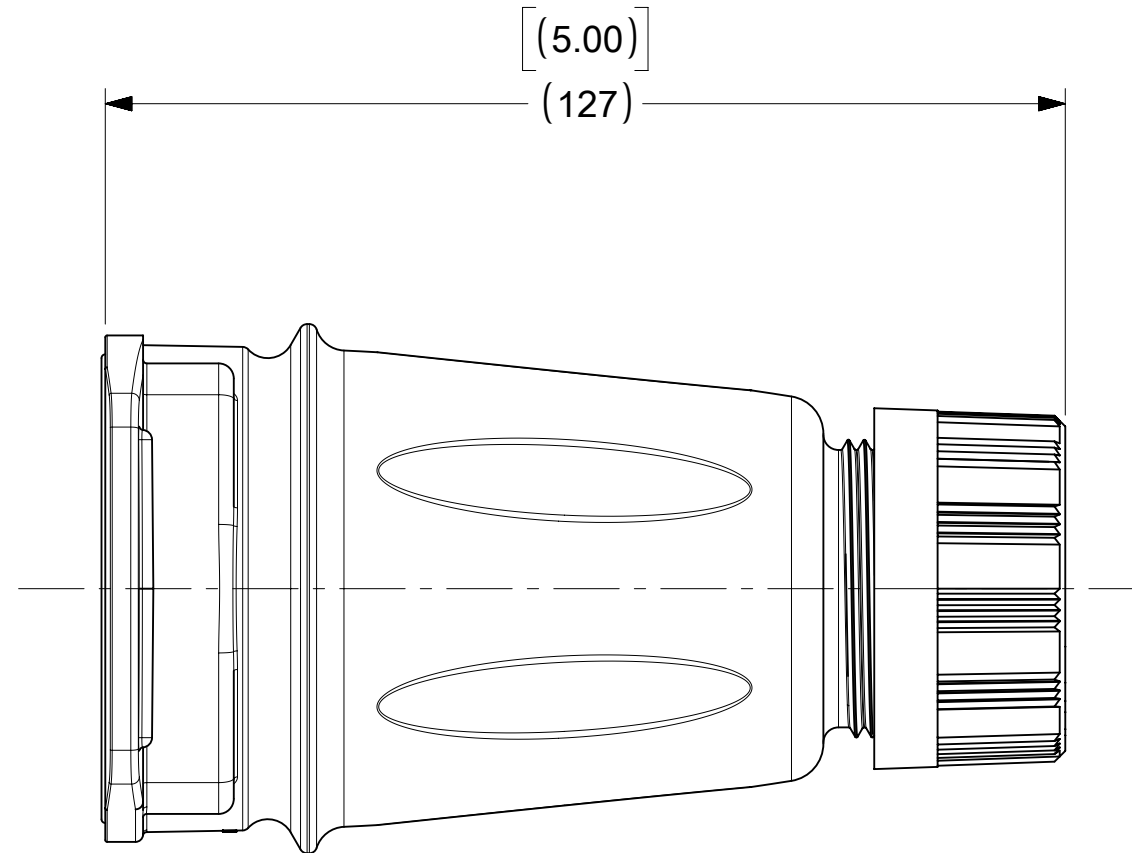
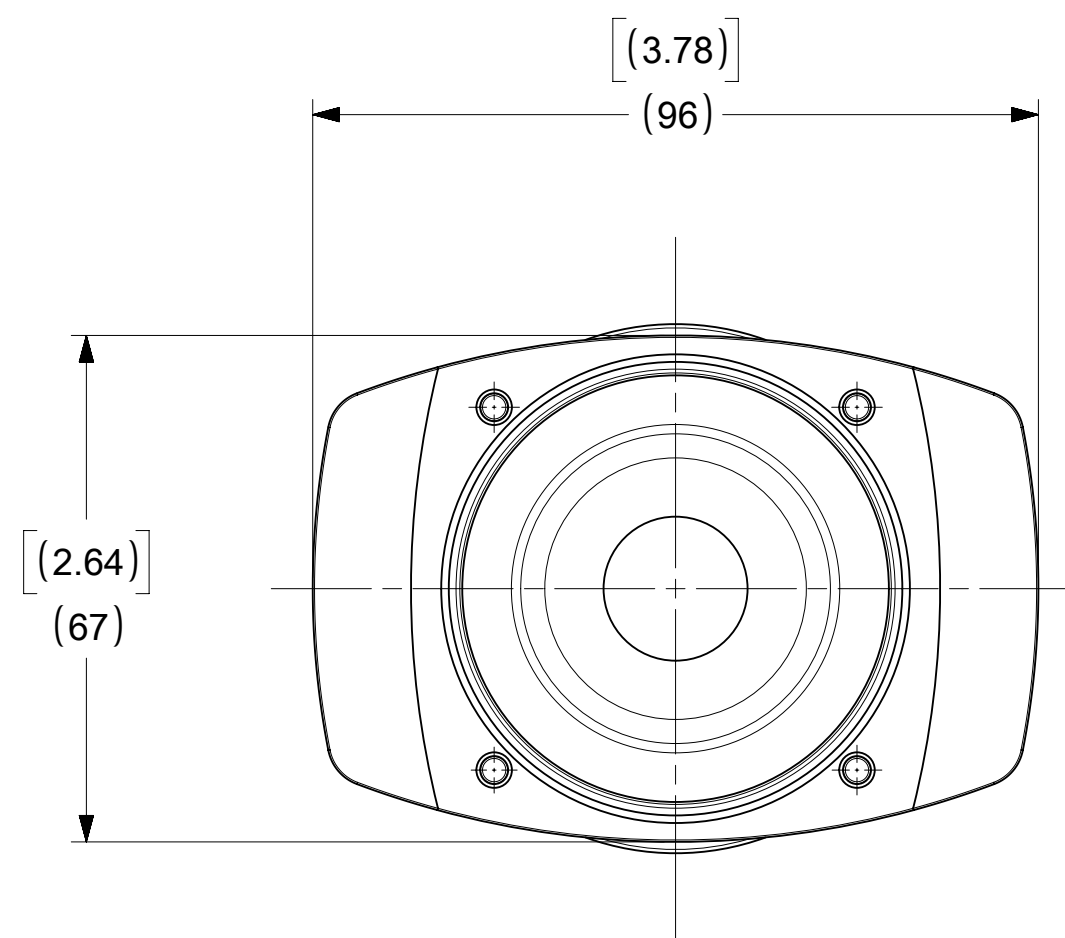
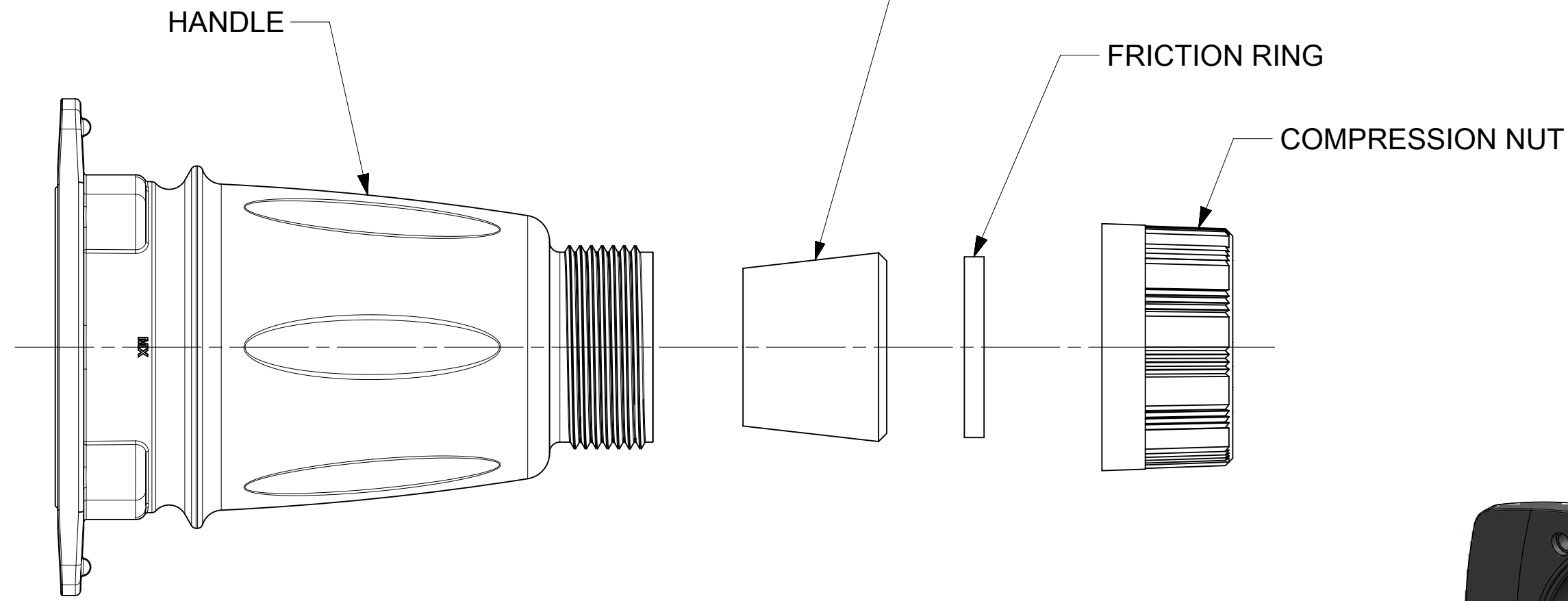


GROMMET , 3 SUPPLIED  
 1301800411, GRAY, CABLE DIAMETER RANGE 12.7mm - 15.9mm (.500" - .625")  
 1301800283, ORANGE, CABLE DIAMETER RANGE 15.9mm - 19.0mm (.625" - .750")  
 1301800413, BLACK, CABLE DIAMETER RANGE 19.0mm - 22.2mm (.750" - .875")



NOTES:

- MATERIAL:  
 HANDLE - GREY PBT  
 GROMMET - RUBBER  
 FRICTION RING - NATURAL POLYETHYLENE  
 COMPRESSION NUT - BLACK PBT  
 SELF TAPPING SCREWS (TO ASSEMBLE DEVICE, NOT SHOWN) - STAINLESS STEEL
- OPERATING TEMPERATURE RANGE -40°C (-40°F) TO 60°C (140°F).
- THIS DRAWING REPLACES SD-112219-601.

QUALITY SYMBOLS		THIS DRAWING CONTAINS INFORMATION THAT IS PROPRIETARY TO MOLEX ELECTRONIC TECHNOLOGIES, LLC AND SHOULD NOT BE USED WITHOUT WRITTEN PERMISSION			
▽ = 0	2018/05/09	GENERAL TOLERANCES (UNLESS SPECIFIED)		DIMENSION UNITS	SCALE
▽ = 0	2018/05/10	MM	INCH	MM[INCH]	1:1
▽ = 0	2018/05/10	4 PLACES	±	DRWN BY	DATE
▽ = 0	2018/05/10	3 PLACES	±	KJ	5/2/2017
▽ = 0	2018/05/10	2 PLACES	± 0.13 ± 0.010	CHK'D BY	DATE
▽ = 0	2018/05/10	1 PLACES	± 0.25 ± 0.020	BR	5/2/2017
▽ = 0	2018/05/10	0 PLACES	±	APPR BY	DATE
▽ = 0	2018/05/10	ANGULAR TOL = 0.5°		JM	5/2/2017
▽ = 0	2018/05/10	DRAFT WHERE APPLICABLE MUST REMAIN WITHIN DIMENSIONS		DRIVING SIZE	THIRD ANGLE PROJECTION
▽ = 0	2018/05/10			C	
▽ = 0	2018/05/10	PRODUCT CUSTOMER DRAWING			
EC NO: 176476	DRWN: VASUTHKARP	SERIES		MATERIAL NUMBER	CUSTOMER
CHKD: BRUPERT	REV / APPR: BRUPERT	112219	1122196001	GENERAL MARKET	
REDRAWN IN NX		DOCUMENT NUMBER		DOC TYPE	DOC PART
		1122196001		PSD	000
		SHEET NUMBER		1 OF 1	