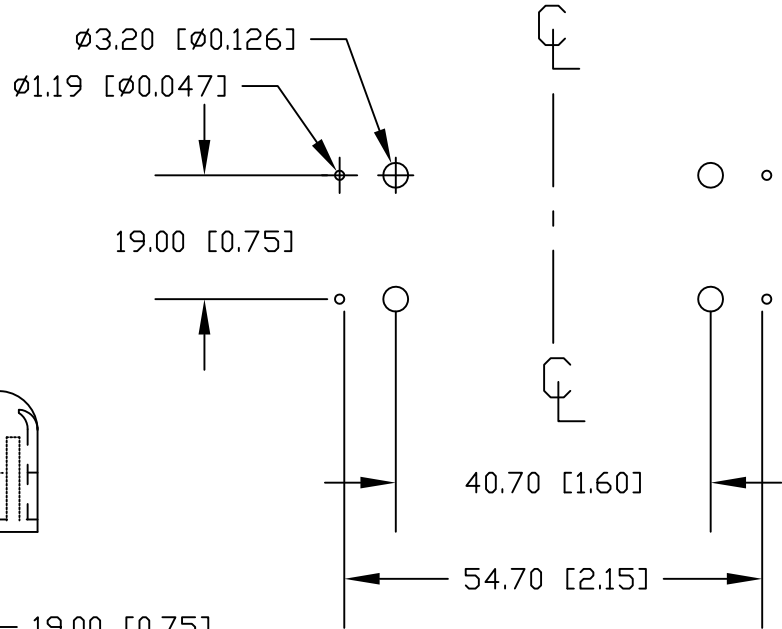
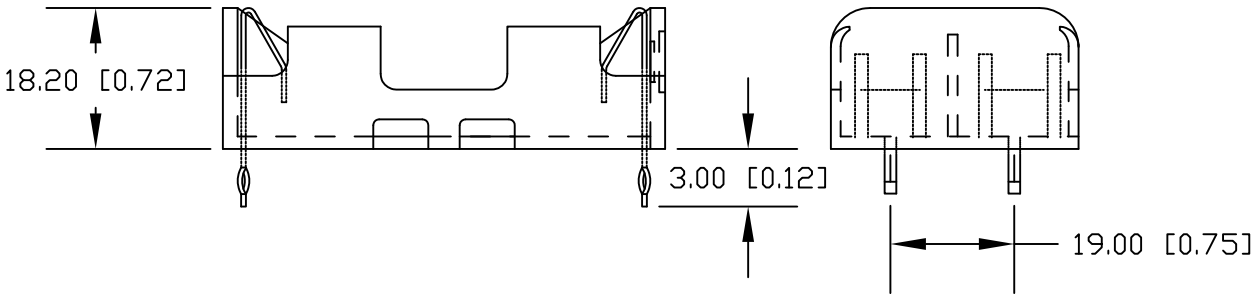
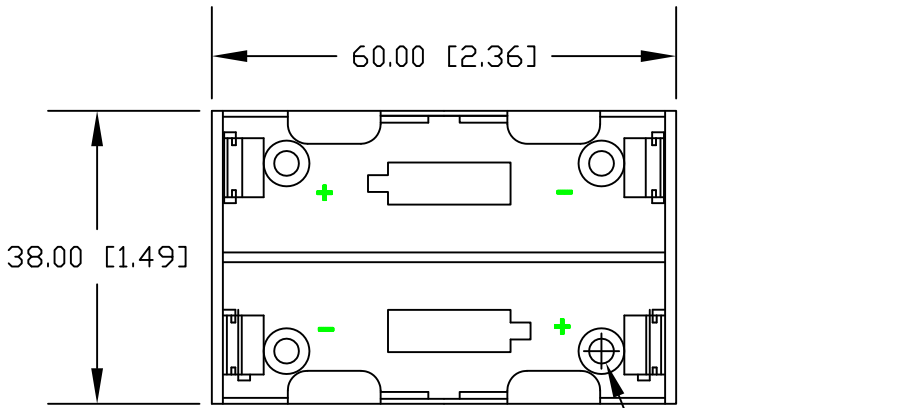



Date	SYM	REVISION RECORD	AUTH	DR.	CK.



## PCB LAYOUT

### NOTES:

Material: Polypropylene, UL94V-0, UL file No. E255317  
 Contacts: 302 Stainless Steel Spring Temper, Nickel Plated  
 Cover: Polypropylene, UL94V-0  
 Heat Deflection Temperature: 90°C  
 Vibration Test: 10-50-10 Hz swept in 60 seconds  
                   X,Y,Z direction: 1 hour each direction  
 Result: No dislodgement of the cell or damage  
           No discontinuity over 10 micro-seconds  
 Shock Test: Half sine wave acceleration 150G. 6 m/s  
               3 shock pulses each direction per axis, total of 18 pulses  
 Result: No evidence of physical damage.  
 ROHS 2 COMPLIANT

Tolerance (Inches)	 <b>Memory Protection Devices, Inc</b> 200 Broad Hollow Road, Farmingdale, New York 11735		
Decimal ±.5 (.020)	Scale	Drawn By B.S. Approved By T.B.	
Fractional ±.8 (.030)	Title 2 "A" BATTERY HOLDER		
Angular ± 3°	Date 12/12/14	Drawing Number BK-6210	