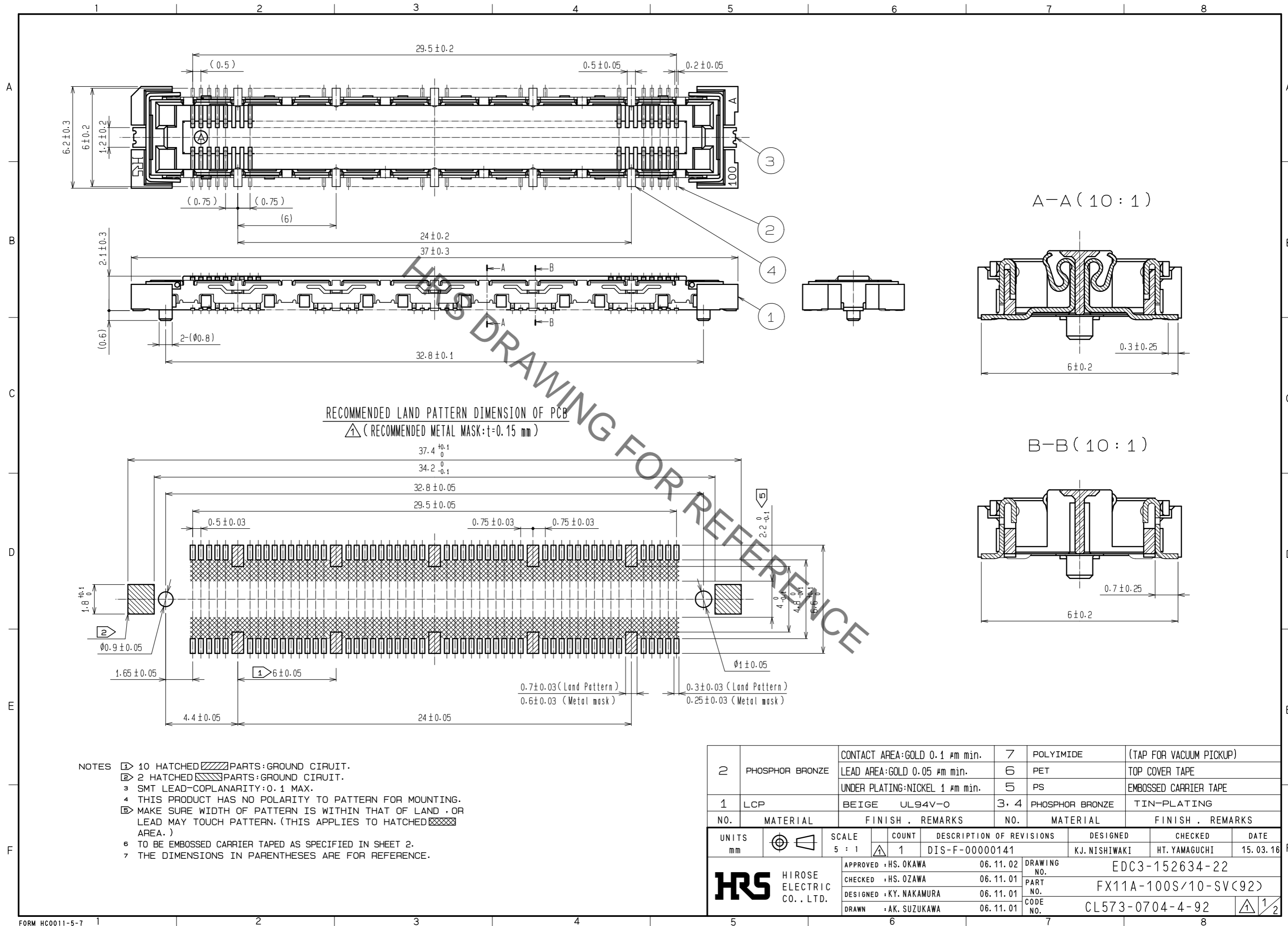


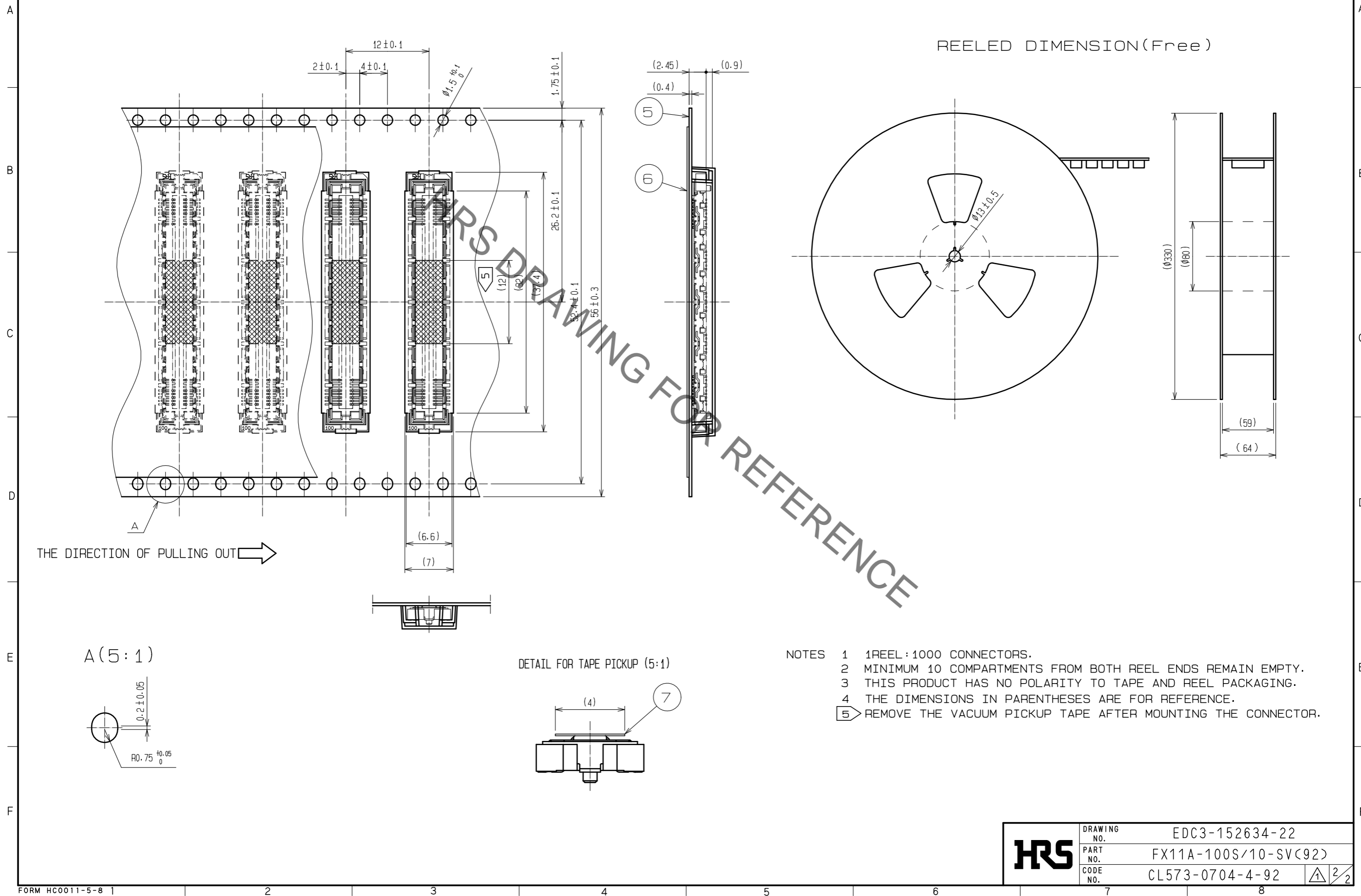
May.1.2023 Copyright 2023 HIROSE ELECTRIC CO., LTD. All Rights Reserved.  
 In case of consideration for using Automotive equipment / device which demand high reliability, kindly contact our sales window correspondents.



2	PHOSPHOR BRONZE	CONTACT AREA: GOLD 0.1 μm min. LEAD AREA: GOLD 0.05 μm min. UNDER PLATING: NICKEL 1 μm min.	7	POLYIMIDE	(TAP FOR VACUUM PICKUP)		
1	LCP	BEIGE UL94V-0	3, 4	PHOSPHOR BRONZE	TIN-PLATING		
NO.	MATERIAL	FINISH, REMARKS	NO.	MATERIAL	FINISH, REMARKS		
UNITS	mm	SCALE	COUNT	DESCRIPTION OF REVISIONS	DESIGNED	CHECKED	DATE
		5 : 1	1	DIS-F-00000141	KJ. NISHIWAKI	HT. YAMAGUCHI	15.03.16
APPROVED : HS. OKAWA		06.11.02	DRAWING NO.		EDC3-152634-22		
CHECKED : HS. OZAWA		06.11.01	PART NO.		FX11A-100S/10-SV(92)		
DESIGNED : KY. NAKAMURA		06.11.01	CODE NO.		CL573-0704-4-92		
DRAWN : AK. SUZUKAWA		06.11.01					

May.1.2023 Copyright 2023 HIROSE ELECTRIC CO., LTD. All Rights Reserved.  
 In case of consideration for using Automotive equipment / device which demand high reliability, kindly contact our sales window correspondents.

# DRAWING FOR PACKING(2:1)



REELED DIMENSION(Free)

HRS DRAWING FOR REFERENCE

- NOTES
- 1 1REEL : 1000 CONNECTORS.
  - 2 MINIMUM 10 COMPARTMENTS FROM BOTH REEL ENDS REMAIN EMPTY.
  - 3 THIS PRODUCT HAS NO POLARITY TO TAPE AND REEL PACKAGING.
  - 4 THE DIMENSIONS IN PARENTHESES ARE FOR REFERENCE.
  - 5 REMOVE THE VACUUM PICKUP TAPE AFTER MOUNTING THE CONNECTOR.

<b>HRS</b>	DRAWING NO.	EDC3-152634-22
	PART NO.	FX11A-100S/10-SV(92)
	CODE NO.	CL573-0704-4-92
		1/2