



3245 MHz Ceramic Band Pass Filter



ANATECH ELECTRONICS INC
RF & Microwave Filters & Products

Part Number: AE3245CB1793

Electrical Specifications

Center Frequency(CF): 3245 MHz
3dB Bandwidth(BW): ± 40 MHz
Passband Frequency (PB): 3205-3285 MHz
Insertion Loss @ CF : 5.0 dB Max
Ripple In PB: 1.5 dB Max.
Return Loss in PB: 15 dB Min.
Rejection1: 50 dB Min. @ 3095 MHz
Rejection2: 50 dB Min. @ 3395 MHz
Power Handling: 3 Watts
Input / output Impedance: 50 Ohms

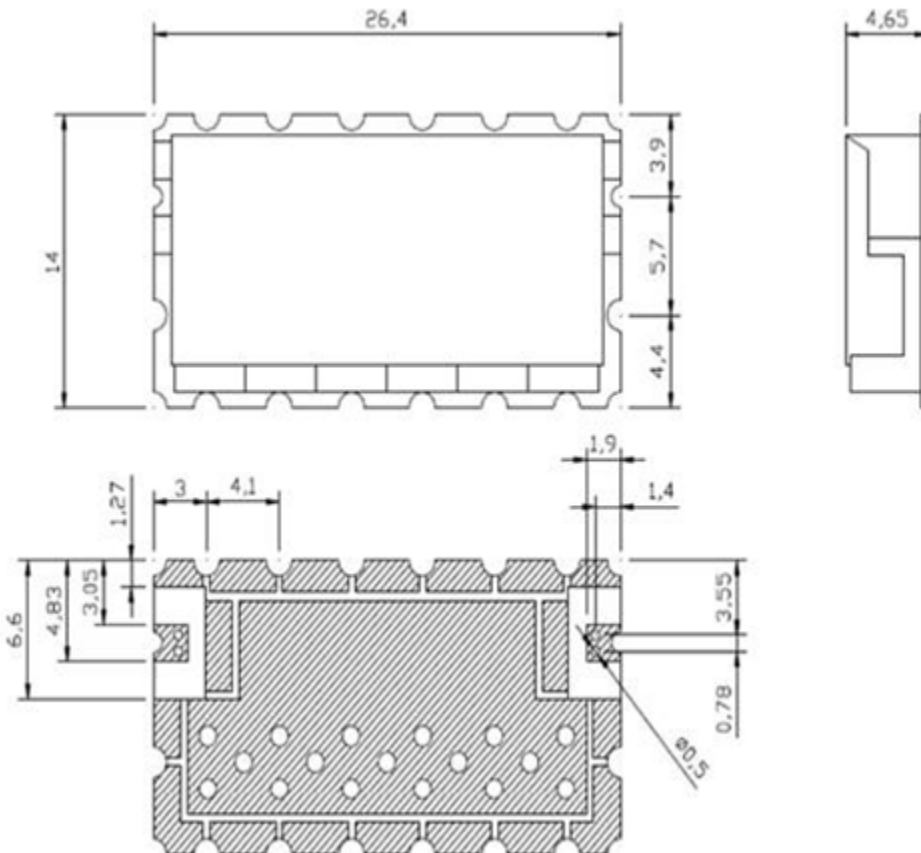
Mechanical

Connector Type: SMT
Dimensions: 26.4 x 14 x 4.65 mm

Environmental

Operating Temperature: -45°C to +85°C
Storage Temperature: -50°C to +90 °C
Shock: 10G. 11ms
Vibration: 10G 0.5 to 200 Hz

Outline Drawing:



Tolerance: +/-0.01 inches [+/- 0.3mm]

Angles: +/- 1 Deg.

*Tolerance as shown unless otherwise specified in the datasheet electrical specification tables above.

*When max dimensions are called out the above tolerances do not apply as long as it is under the max call out.