

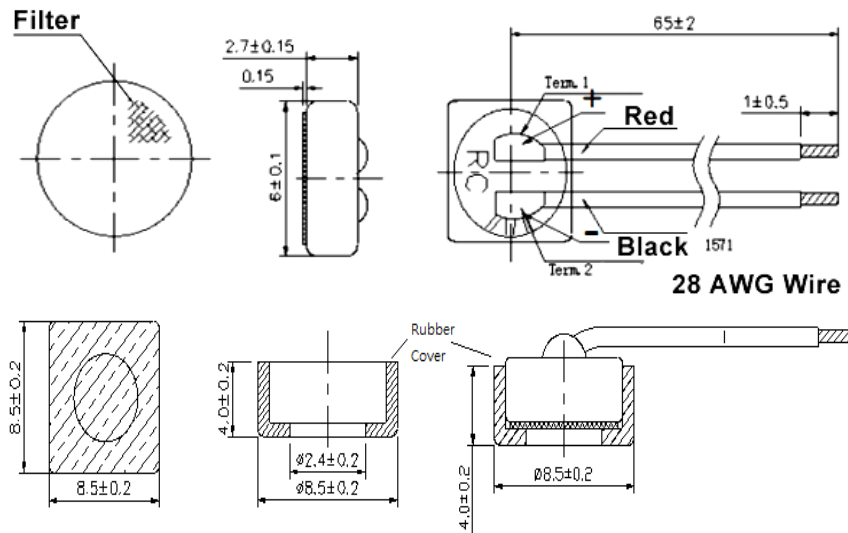
**Sales Outline Drawing**

**May not be suitable for all Medical and Aerospace applications.  
Contact Mallory Sonalert to discuss your application.**

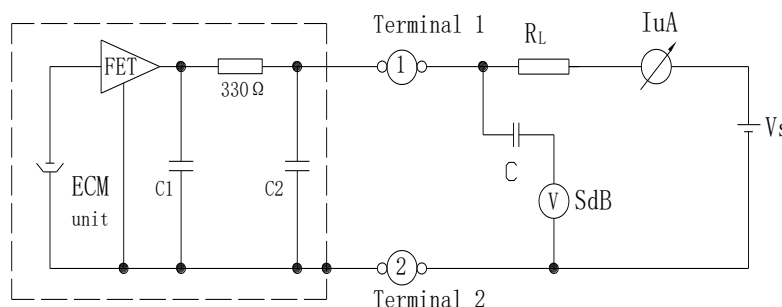
|                         |   |
|-------------------------|---|
| Sensitivity Range       | -44 ± 3 dB $R_L = 2.2\text{ k}\Omega$ $V_s = 2.0\text{ vdc}$<br>(1 kHz 0 dB = 1 v/Pa) |
| Impedance               | Max. 2.2k $\Omega$ 1 kHz ( $R_L = 2.2\text{ k}\Omega$ )                               |
| Frequency               | 100 - 10000 Hz  |
| Current Consumption     | Max 0.5 mA  |
| Operating Voltage Range | 1.0 – 10 Vdc  |
| Max SPL (dB)            | 115 dB  |
| S/N Ratio               | More than 58 dB   |
| Sensitivity Reduction   | 2.0 –1.5V Variation less than 3 dB  |
| Storage Condition       | -40 ~ +70°C; R.H. < 90%   |
| Operating Condition     | -20 ~ +60°C; R.H. < 90%   |
| Weight (g)              | 0.5   |
| Options                 | For other options contact factory   |

**Dimensions:** (units: mm)

**ROHS Compliant**



**Schematic Diagram:**



$R_L = 2.2\text{ k}\Omega$      $V_s = 2.0$      $C1 = 33\text{ pF}$      $C2 = 10\text{ nF}$

**Packaging:** Bulk pack in quantities of 100pcs.