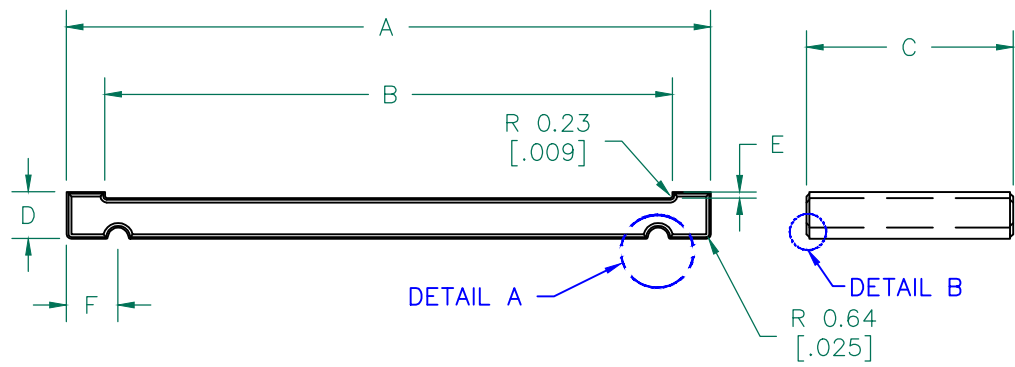
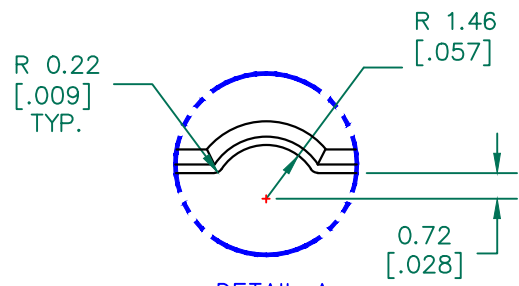


IMPEDANCE (Z)			
Frequency	25 MHz	100 MHz	300 MHz
Nominal (REF)	80 Ω	240 Ω	630 Ω
Minimum	- Ω	192 Ω	- Ω

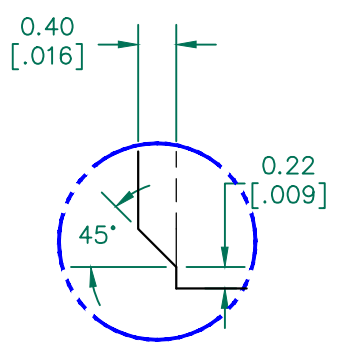


DETAIL A

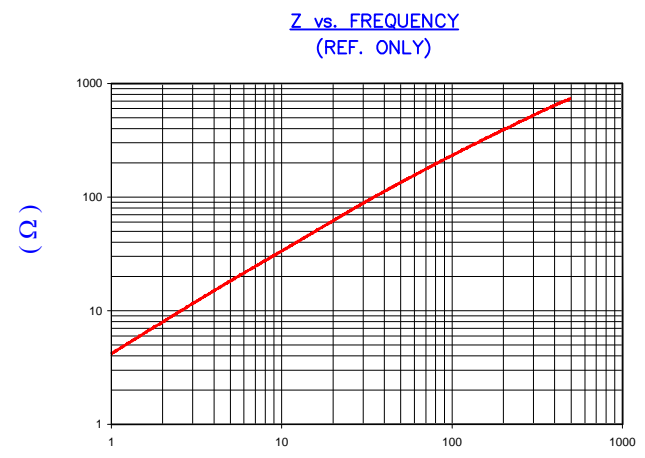
DETAIL B



DETAIL A
SCALE 5:1



DETAIL B
SCALE 13:1



FREQUENCY (MHz)
AGILENT E4991A Impedance/Material Analyzer
HP 16092A-Test Fixture

FERRITE CORE DIMENSIONS (SPEC): mm [in]

A	88.90 [3.500]	+	1.78 [.070]
B	78.23 [3.080]	+	1.52 [.060]
C	28.58 [1.125]	+	0.76 [.030]
D	6.48 [.255]	+	0.25 [.010]
E	0.84 [.033]	+	0.25 [.010]
F	7.62 [.300]	+	0.05 [.002]

WEIGHT/1000 70.97 kgs 156.47 Lbs

DIMENSIONS ARE IN INCHES (mm).				This print is the property of Laird Tech. and is loaned in confidence subject to return upon request and with the understanding that no copies shall be made without the written consent of Laird Tech. All rights to design or invention are reserved.				
REV	DESCRIPTION	DATE	INT					
F	CHANGE F DIMENSION	11/24/09	Jcai	PROJECT/PART NUMBER: 28S2012-000		REV F	PART TYPE: FERRITE SPLIT RIBBON	DRAWN BY: LNK
E	UPDATE PRINT FORMAT & Z SPECS ADD CURVE, REM SCALE DWG	07/08/03	JRK					
D	COR PART WEIGHT ADD KGS ADD F DIM	09/10/02	JRK					
C	UPDATE PRINT FORMAT ADD DETAILS	07/16/01	JRK					
B	UPDATED P/N FOR NEW CATALOG	11/13/95	JBE					
A	ORIGINAL DRAFT	02/09/90	LNK	DATE: 02/09/90		SCALE: 1:1		MATERIAL: FERRITE
REV	DESCRIPTION	DATE	INT	CAD # 28S2012-000-F		TOOL # S2012		