



Raychem INSTALITE Molded Boots

Heat-Shrink Memory Boots For 30% Weight Savings and 30% Quicker Installation Times

Raychem INSTALITE Molded Boots

High-Performance Heat-Shrink Boots



LIGHTWEIGHT

- 20% to 30% lighter than standard -25 parts

VERSATILE

- Part of System 25 harnessing components
- Resists most common military fuels, oils, and greases
- Abrasion resistant
- Meets the requirements of VG 95343 Parts 6 and 18

EASE OF USE

- Optimized interior geometry speeds installation time
- Faster recovery than TE's traditional molded boots

APPLICATIONS

- MilitaryGround Systems
- Aerospace
- Marine



INSTALITE boots are a lighter weight alternative of our -25 heat-shrink boots. Utilizing our expertise in fluid-resistant, modified elastomers, we've created semi-rigid, abrasion-resistant boots that are up to 30% lighter than our standard -25 boots. INSTALITE boots offer the same balance of high-temperature fluid resistance and long-term heat resistance.

Performance Characteristics

PHYSICAL PROPERTIES

- **Tensile strength:** 10 MPa (1450 psi) min.
- **Ultimate elongation:** 400% min.
- **Specific gravity:** 1 (± 0.05)

THERMAL CHARACTERISTICS

- **Heat aging** (168 hr @ 160°C): 400% min. ultimate elongation
- **Heat shock** (4 hr @ 215°C): 400% min. ultimate elongation
- **Low-temperature flexing** (4 hr @ -75°C): No cracking
- **Flammability burn time:** 120 seconds max
- **Temperature Range:** -75°C to 150°C

ELECTRICAL

- **Electrical strength:** 15 MV/m (4.6 MV/ft)

FLUID RESISTANCE

(Aviation Fuel, Hydraulic Fluids, Lubricating Oil, Cleaning Fluids, Deicers)

- **After 24-hr immersion:** 8 MPa (1160 psi) min. tensile strength
300% min. ultimate elongation

SPECIFICATIONS

- **RW-3040:** Product specification
- **ELE-3COP-555:** Installation of 90° boot
- **ELE-3COP-554:** Installation of straight boot

TOOLING

- **Heat gun:** CV 1981

INSTALLATION TIME

(Timings are representative across the range based on our codes of practice)

- **System 25 boot:** 2 minutes 24 seconds
- **System 25L boot:** 1 minute 41 seconds

Visit www.te.com/INSTALITE to view our installation video.

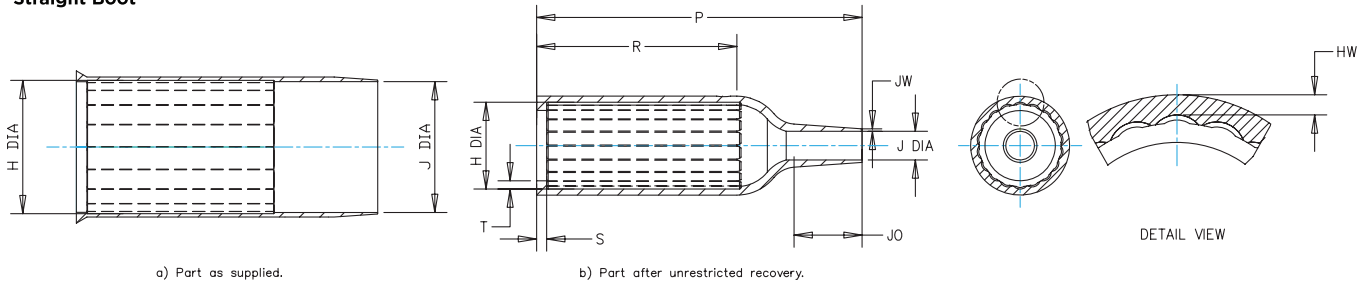
TE Components . . . TE Technology . . . TE Know-how . . .

AMP | AGASTAT | CII | HARTMAN | KILOVAC | MICRODOT | NANONICS | POLAMCO | Raychem
SEACON | Rochester | DEUTSCH

Empower Engineers to Solve Problems, Moving the World Forward.

Raychem INSTALITE Molded Boots

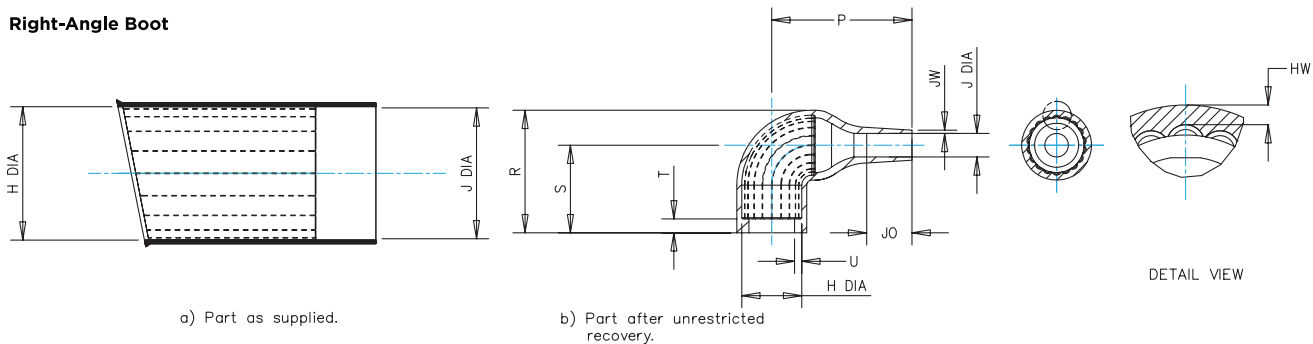
Straight Boot



Part No.	H		J		P ±10% b	R ±10% b	HW ±20% b	JW Min. b	Avg Weight Savings
	Min. a	Max. b	Min. a	Max. b					
202K121-25L-0	24 [0.95]	10.4 [0.41]	24 [0.95]	5.6 [0.22]	38 [1.50]	21 [0.83]	1.3 [0.05]	0.9 [0.04]	20%
202K132-25L-0	30 [1.18]	14.2 [0.56]	30 [1.18]	5.9 [0.23]	55 [2.17]	32 [1.26]	1.3 [0.05]	1.0 [0.04]	20%
202K142-25L-0	31 [1.22]	18 [0.71]	31 [1.22]	7.1 [0.28]	67 [2.64]	35 [1.38]	1.2 [0.04]	1.0 [0.04]	20%
202K153-25L-0	36 [1.42]	22.4 [0.88]	36 [1.42]	8.4 [0.33]	80 [3.15]	42 [1.65]	1.5 [0.06]	1.0 [0.04]	23%
202K163-25L-0	43 [1.69]	28.2 [1.11]	43 [1.69]	9.9 [0.39]	99 [3.90]	61 [2.40]	2.0 [0.08]	1.2 [0.05]	28%
202K174-25L-0	60 [2.36]	35.1 [1.38]	60 [2.36]	15.7 [0.62]	130 [5.12]	72 [2.83]	2.3 [0.09]	1.5 [0.06]	22%
202K185-25L-0	66 [2.60]	44.5 [1.75]	66 [2.60]	16.8 [0.66]	170 [6.69]	90 [3.54]	1.8 [0.07]	2.0 [0.08]	21%

See the latest Specification Control Document for full dimensions

Right-Angle Boot



Part No.	H		J		P ±10% b	R ±10% b	S ±10% b	HW ±20% b	JW Min. b	Avg Weight Savings
	Min. a	Max. b	Min. a	Max. b						
222K121-25L-0	24 [0.95]	10.4 [0.41]	24 [0.95]	5.6 [0.22]	25 [0.98]	25 [0.98]	19 [0.75]	1.3 [0.05]	0.5 [0.02]	30%
222K132-25L-0	30 [1.18]	14.2 [0.56]	30 [1.18]	5.9 [0.23]	32 [1.26]	27 [1.06]	20 [0.79]	1.3 [0.05]	0.8 [0.03]	26%
222K142-25L-0	31 [1.22]	18 [0.71]	31 [1.22]	7.1 [0.28]	39 [1.54]	31 [1.22]	21 [0.83]	1.2 [0.04]	1.0 [0.04]	21%
222K152-25L-0	36 [1.42]	22.4 [0.88]	36 [1.42]	8.4 [0.33]	46 [1.81]	38 [1.50]	26 [1.02]	1.5 [0.06]	1.0 [0.04]	26%
222K163-25L-0	43 [1.69]	28.2 [1.11]	43 [1.69]	9.9 [0.39]	55 [2.17]	45 [1.77]	30 [1.18]	2.0 [0.08]	1.0 [0.04]	21%
222K174-25L-0	60 [2.36]	35.1 [1.38]	60 [2.36]	15.7 [0.62]	80 [3.15]	54 [2.13]	35 [1.38]	2.3 [0.09]	1.5 [0.06]	23%
222K185-25L-0	66 [2.60]	44.5 [1.75]	66 [2.60]	16.8 [0.66]	108 [4.25]	68 [2.68]	42 [1.65]	1.8 [0.07]	2.0 [0.08]	25%

See the latest Specification Control Document for full dimensions

LET'S CONNECT

We make it easy to connect with our experts and are ready to provide all the support you need. Just call your local support number or visit te.com to chat with a Product Information Specialist.

Technical Support

te.com/support-center

North America	+1 800 522 6752	Asia Pacific	+86 400 820 6015
North America (Toll)	+1 717 986 7777	Japan	+81 044 844 8180
EMEA/South Africa	+800 0440 5100	Australia	+61 2 9554 2695
EMEA (Toll)	+31 73 624 6999	New Zealand	+64 (0) 9 634 4580
India (Toll-Free)	+800 440 5100		

te.com/lighten-the-load

AMP, AGASTAT, CII, DEUTSCH, HARTMAN, INSTALITE, KILOVAC, LL ROWE, MICRODOT, NANONICS, POLAMCO, Raychem, SEACON, TE, TE Connectivity and the TE connectivity (logo) are trademarks. Other products, logos, and company names mentioned herein may be trademarks of their respective owners.

While TE Connectivity (TE) has made every reasonable effort to ensure the accuracy of the information herein, nothing herein constitutes any guarantee that such information is error-free, or any other representation, warranty or guarantee that the information is accurate, correct, reliable or current. The TE entity issuing this publication reserves the right to make any adjustments to the information contained herein at any time without notice. All implied warranties regarding the information contained herein, including, but not limited to, any implied warranties of merchantability or fitness for a particular purpose are expressly disclaimed. The dimensions herein are for reference purposes only and are subject to change without notice. Specifications are subject to change without notice.

Consult TE for the latest dimensions and design specifications.

© 2018 TE Connectivity Corporation All Rights Reserved.

1-1773847-4 03/18