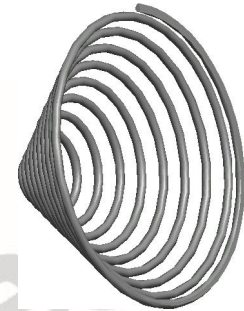
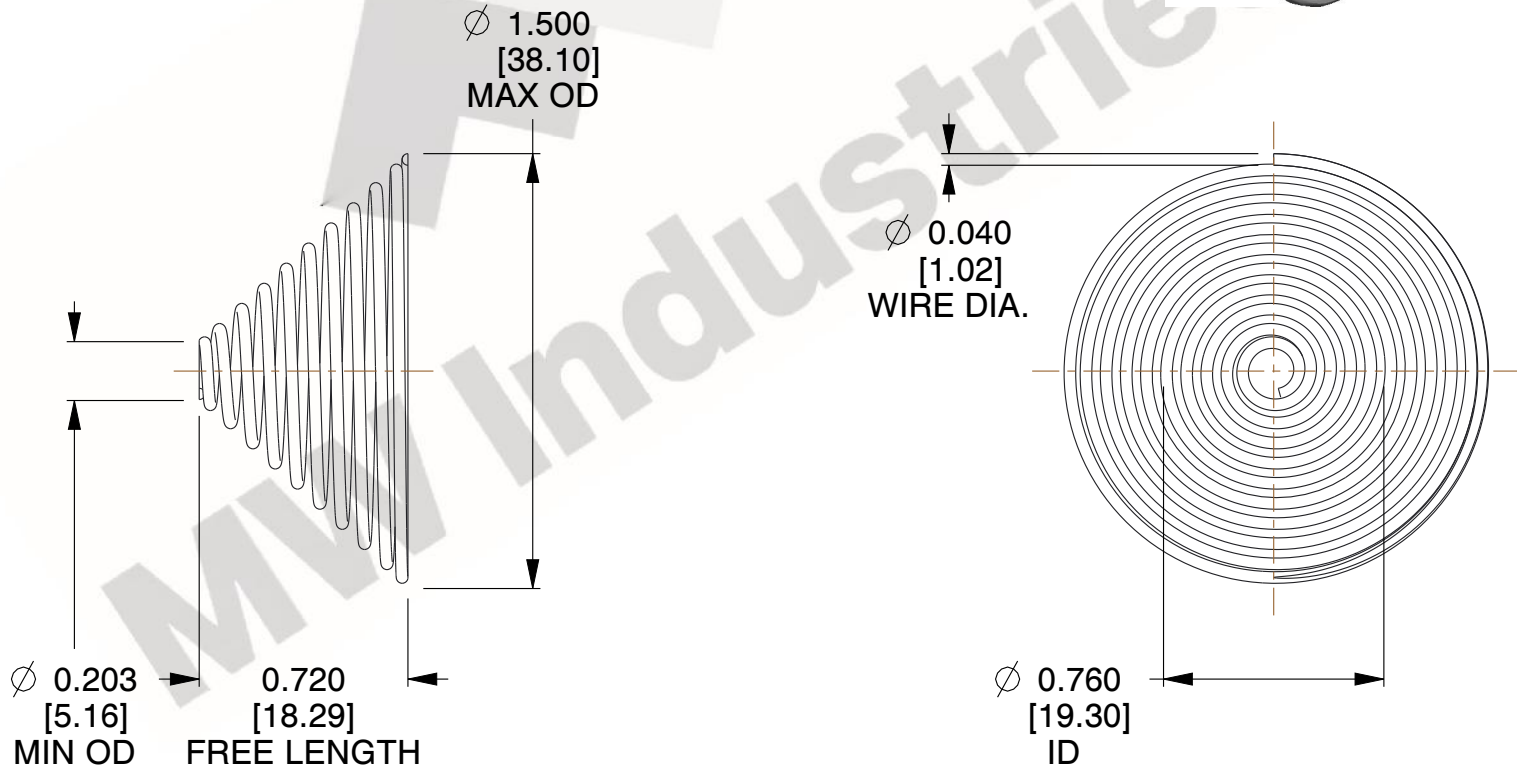


NOTES:

1. Material : Spring Steel
2. Total Coils : 10.300
3. Solid Height : 0.450 (in)
4. Finish : ZINC
5. Ends : Closed & Ground
6. All Drawing Dimensions are in Inches [mm]



| COMPONENT | | TAPERED SPRINGS | |
|------------------|--|-----------------|-----------|
| TA-2204CS | | UNIT | INCH [mm] |
| | | SHEET | 1 of 1 |
| TAPERED SPRINGS | | SCALE | 1.510 |