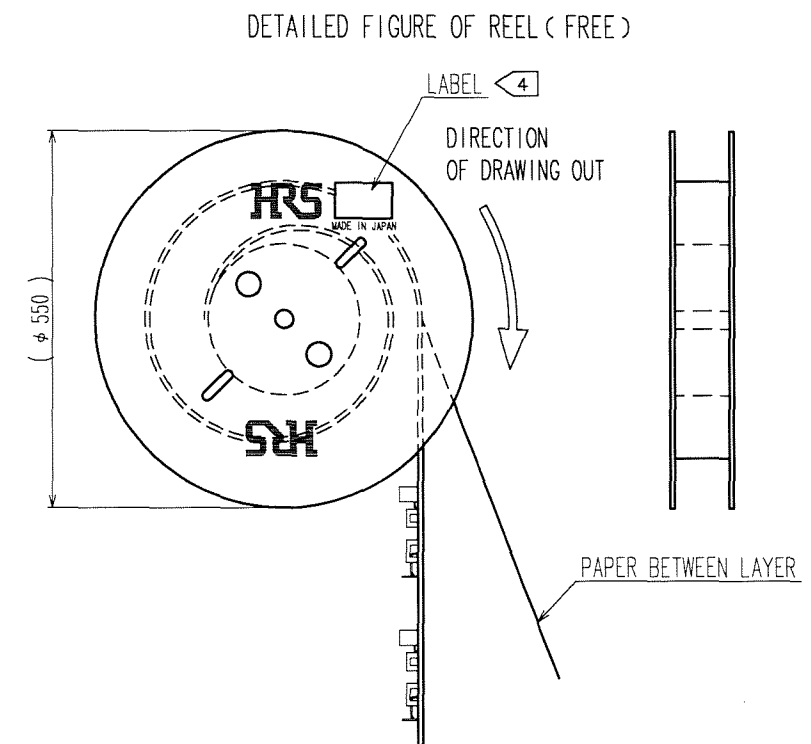
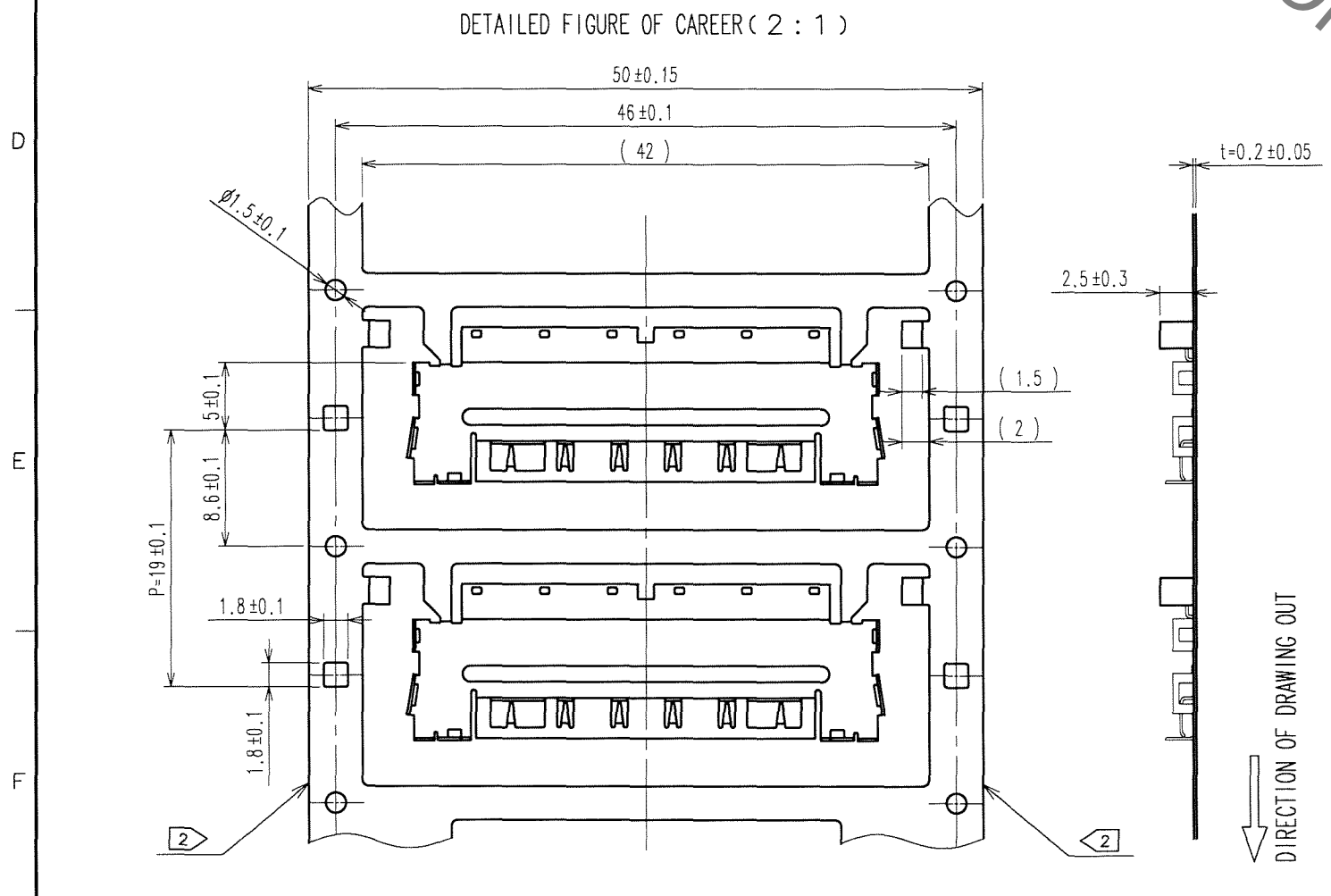
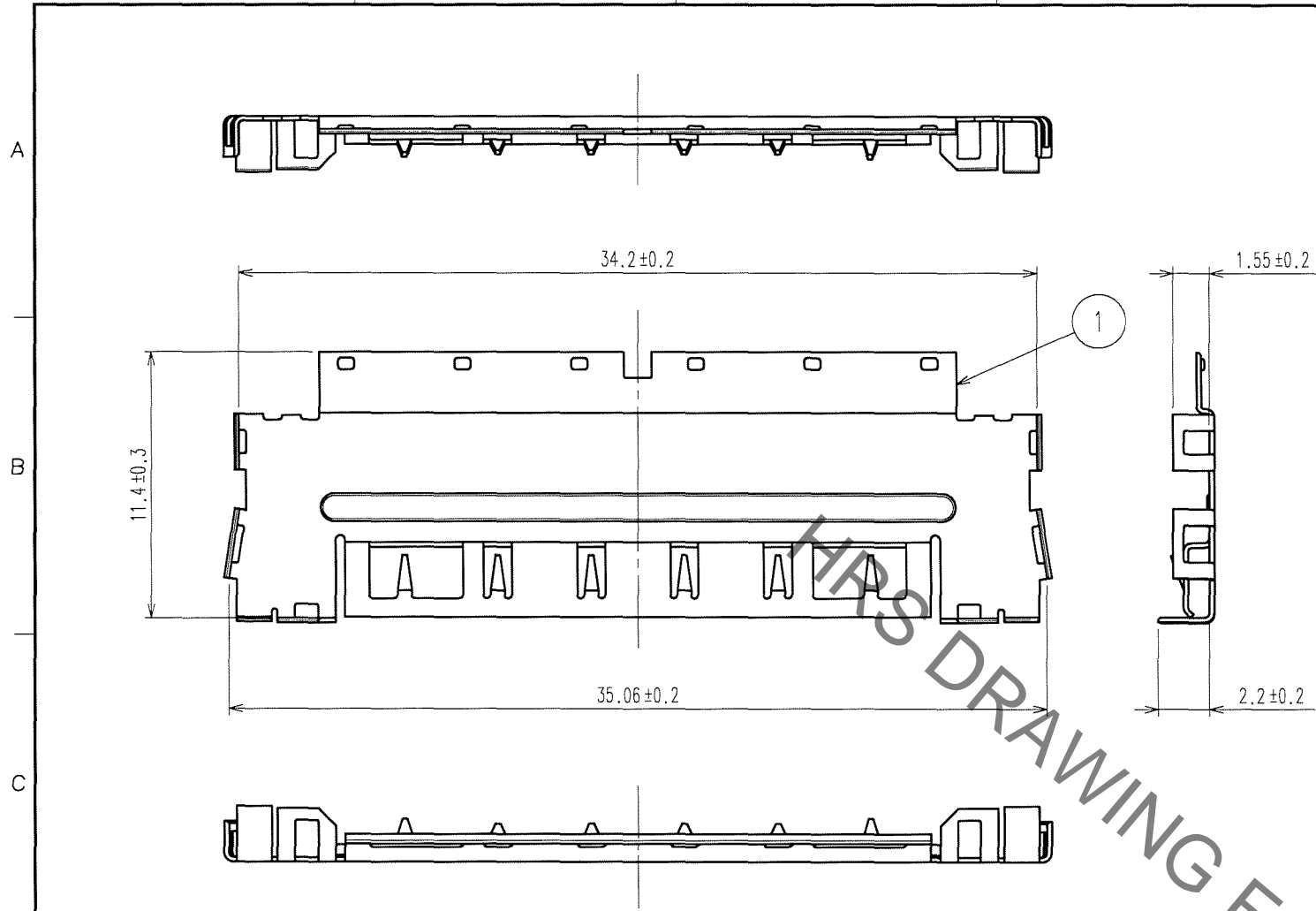


May.1.2023 Copyright 2023 HIROSE ELECTRIC CO., LTD. All Rights Reserved.
In case of consideration for using Automotive equipment / device which demand high reliability, kindly contact our sales window correspondents.

COUNT	DESCRIPTION OF REVISIONS	BY	CHKD	DATE	COUNT	DESCRIPTION OF REVISIONS	BY	CHKD	DATE
1	DIS-F-001927	K.S	H.Y	07.05.11					



- NOTE 1. Manufacturing process could leave scratch and/or punch marks having no affect on the product performance.
- ② Side cut can be provided to prevent carrier curve.
3. 2500 pieces per reel
- ④ Label as shown below is indicated.

HRS		INSPECTION
CODE No.	品名コード	検査
CL575-2117-2	CL575-2117-2	
PART NO.	品名	
FX15S-51P-GND	FX15S-51P-GND	
QTY	数量	
2,500 PCS	2,500 PCS	
PECULIAR	仕様	
NP0.3	NP0.3	
Lot No		
SPLICE	継ぎ目	

5. Dimensions in () are for reference.
6. This is a component for separately available product; FX15S-51P-0.5SD. △
- Make sure to use with the specified combination.

NO.	MATERIAL	FINISH, REMARKS	NO.	MATERIAL	FINISH, REMARKS
1	STAINLESS			NICKEL 0.3μ m min	
CODE NO. (OLD)	CL		DRAWN	DESIGNED	CHECKED
			K.SHIBUYA	K.SHIBUYA	H.YAMAGUCHI
			07.03.30	07.03.30	07.04.02
			APPROVED	RELEASED	
			H.OKAWA		
			07.04.02		
SCALE	FREE		PART NO.	FX15S-51P-GND	
UNITS	mm	DRAWING NO.	CODE NO.		1/1
		EDC3-156658	CL575-2117-2		
		HRS HIROSE ELECTRIC CO., LTD			