

## Han-Yellock 10 Punching unit

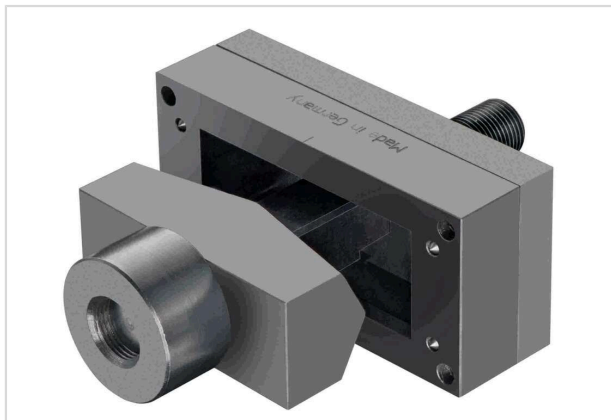


Image is for illustration purposes only. Please refer to product description.

Part number	09 99 000 0910
Specification	Han-Yellock 10 Punching unit
HARTING eCatalogue	<a href="https://b2b.harting.com/09990000910">https://b2b.harting.com/09990000910</a>

### Identification

Category	Tools
Type of tool	Punching units for hydraulic punch drivers

### Version

Size	Han-Yellock <sup>®</sup> 10
Plate thickness	≤2 mm structural grade carbon steel

### Commercial data

Packaging size	1
Net weight	793 g
Country of origin	Germany
European customs tariff number	82073090
GTIN	5713140108301
eCl@ss	21049090 Hand tool (other, unspecified)