

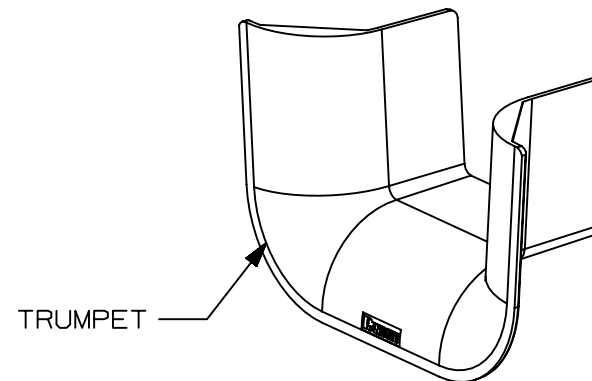
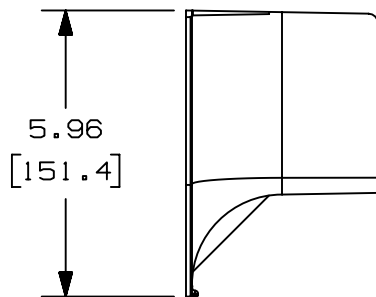
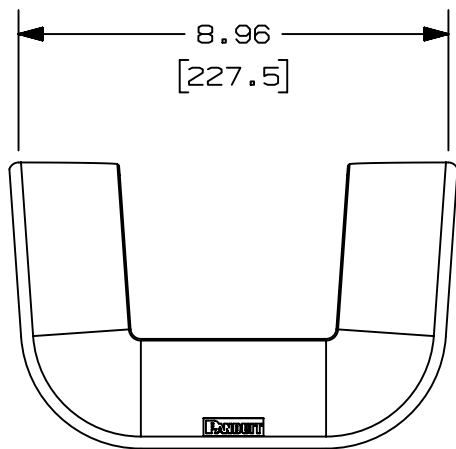
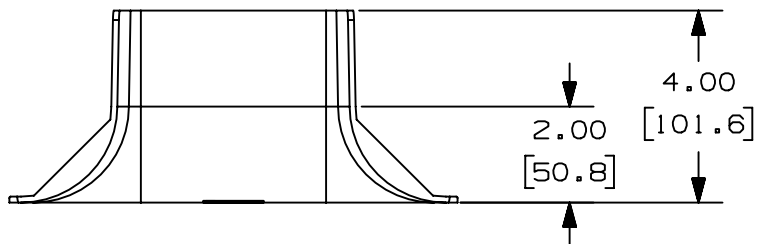
2

1

THIS COPY IS PROVIDED ON A RESTRICTED BASIS AND IS NOT TO BE USED IN ANY WAY DETRIMENTAL TO THE INTERESTS OF PANDUIT CORP.

NOTES:

1. SEE CURRENT CATALOG FOR ADDITIONAL PART SUFFIXES TO INDICATE COLOR AND/OR PACKAGE QUANTITY.
2. THE FIBERRUNNER 4x4 3-SIDED BEND RADIUS CONTROL TRUMPET IS DESIGNED WITH A MINIMUM 2" (50.8) BEND RADIUS TO PROTECT FIBER OPTIC CABLES.
3. PARTS SUPPLIED:
(1) - TRUMPET
4. DIMENSIONS IN PARENTHESES ARE IN METRIC.



PANDUIT PART NUMBER	WEIGHT	MATERIAL
FRTR4X4**	0.38 LB/EACH (173g/EACH)	ABS
FRTR4X4L**	0.38 LB/EACH (173g/EACH)	PC/ABS

B

B

A

A

06A	8/27/20	MEX-JAGC	DWR	DWR	ADDED PART NUMBER				V09002DZ/11
2	05-15-13	JBN	RTFI	RN	G. UPDATED DRAWING BORDER & TITLE BLOCK				37847-67
REV	DATE	BY	CHK	APR	DESCRIPTION	ECN			

TITLE FIBERRUNNER 4X4 3-SIDED BEND RADIUS CONTROL TRUMPET (FRTR4X4**, FRTR4X4L**)									
CUSTOMER DRAWING									
ITEM REVISION NAME D37847BC/06					PANDUIT				
DATASET FILE NAME D37847BC_DC_FRTR4X4/06A									
					MATERIAL: SEE PART NUMBER TABLE ABOVE				
					DRAWING NUMBER: 37847-67				
DRAWN BY JHNU		DATE 07-18-01		CHK RPA		SCALE NONE			
THIRD ANGLE PROJECTION		SHT 1 OF 1							
								SIZE A	

2

1

D10100DA/15