

NOTES:

1. MATERIALS AND FINISHES:

- BODY, COUPLING NUTS - BRASS, NICKEL PLATING
- CONTACT - BRASS, GOLD PLATING
- RETAINING RING - SUS 304 & PHOSPHORBRONZE, NATURAL & NICKEL PLATING
- INSULATORS - PTFE, NATURAL
- GASKETS - SILICONE RUBBER, RED

2. ELECTRICAL:

- A. IMPEDANCE: 50 OHM
- B. FREQUENCY RANGE: DC-18 GHz
- C. VSWR(RETURN LOSS): 1.20 (21 dB) MAX @ DC-18 GHz
- D. DIELECTRIC WITHSTANDING VOLTAGE: 1000 VRMS, MIN.

3. MECHANICAL:

- A. DURABILITY: 500 CYCLES MIN.
- B. TEMPERATURE RANGE: -65° C TO 165° C

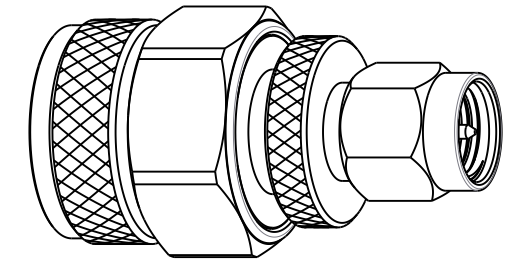
4. PACKAGING:

- A. QUANTITY: SINGLE PACK
- B. MARKING: PACKAGING TO BE MARKED
"AMPHENOL RF, AD-TNCPSMAP-1 & DATE CODE"

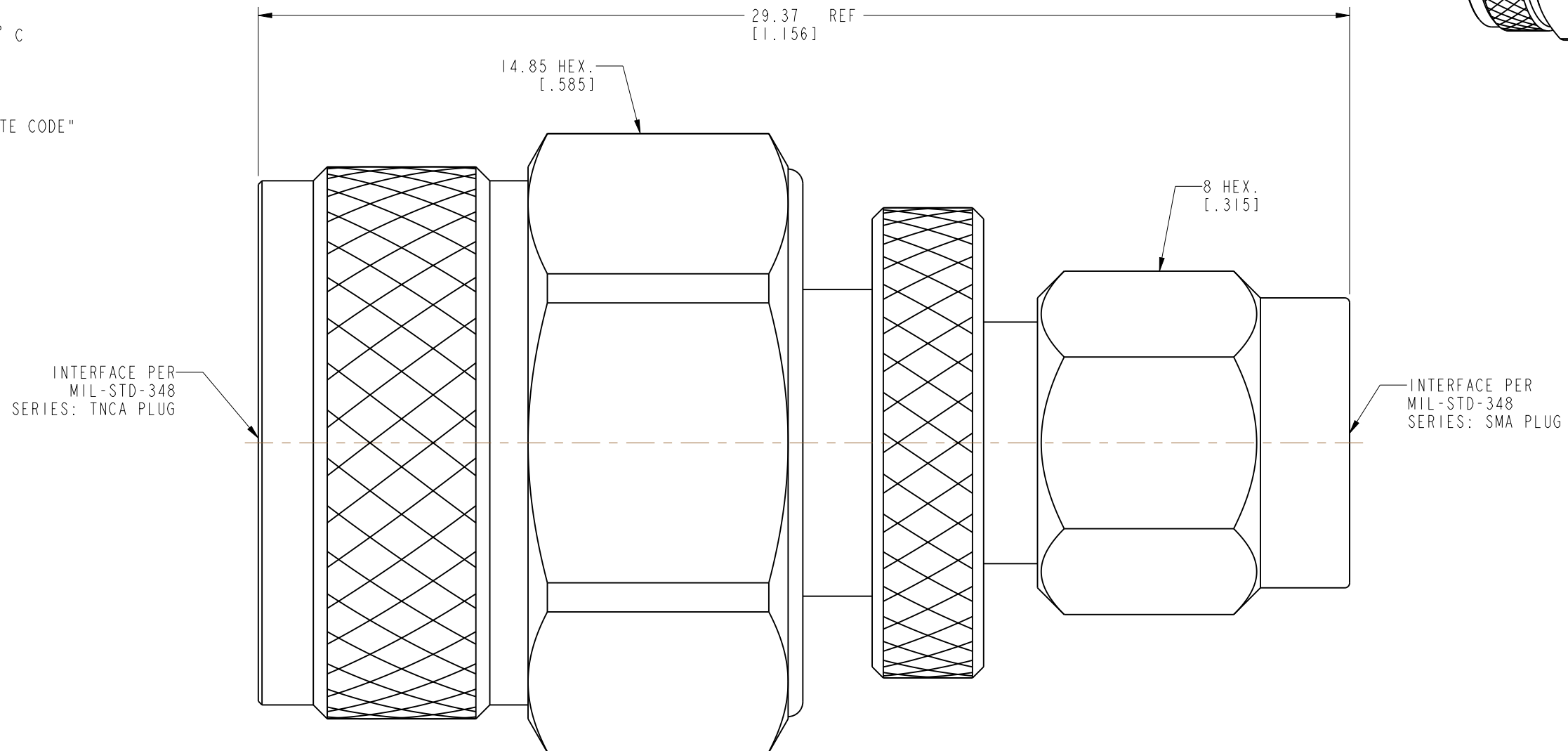
THIRD ANGLE PROJ.

REVISIONS

REV	DESCRIPTION	DATE	ECN	APPR
A	RELEASE TO MFG.	06-MAR-20	14623	EH



SCALE 2.000



CUSTOMER OUTLINE DRAWING

ALL OTHER SHEETS ARE FOR INTERNAL USE ONLY

UNLESS OTHERWISE SPECIFIED, DIMENSIONS ARE IN METRIC AND TOLERANCES ARE: <0.5mm ± 0.05mm 0.5 - 6mm ± 0.1mm 6 - 30mm ± 0.2mm 30 - 120mm ± 0.3mm ANGLES ± 1°	MATERIAL	DRAWN	DATE	TITLE PERFORMANCE GRADE TNC PLUG TO SMA PLUG ADAPTER	Amphenol RF www.amphenolrf.com
	REFERENCE	B. WYMAN	04-Dec-18		
NOTICE - These drawings, specifications, or other data (1) are, and remain the property of Amphenol corp. (2) must be returned upon request; and (3) are confidential and not to be disclosed to any person other than those to whom they are given by Amphenol Corp. the furnishing of these drawings, specifications, or other data by Amphenol Corp., or to any other person to anyone for any purpose is not to be regarded by implication or otherwise in any manner licensing, granting rights to permitting such holder or any other person to manufacture, use or sell any product, process or design, patented or otherwise, that may in any way be related to or disclosed by said drawings, specifications, or other data.	EAR# 8674	ENGINEER	DATE	SCALE: 7.0:1.0 SHEET 2 OF 2	DRAWING NO. AD-TNCPSMAP-1
	REF: ---	B. WYMAN	04-Dec-18		
CONFIGURATION LEVEL: In Work		APPROVED	DATE	DWG SIZE REV B A	PART NO. AD-TNCPSMAP-1
FINISH		M. HOYACK	06-MAR-20		
		CAD FILE			