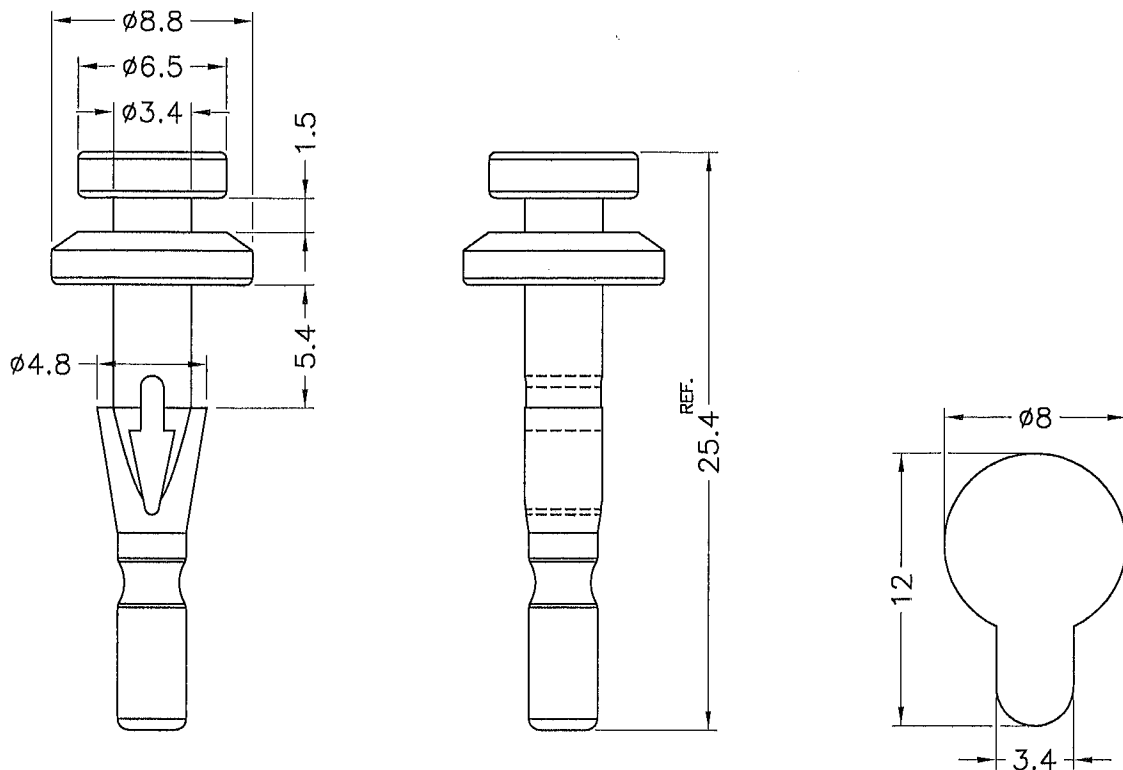


DIM.	TOL.
5mm DOWN	±0.2
5~20mm	±0.3
20~40mm	±0.4
40~60mm	±0.5
60~100mm	±0.8
100mm UP	±1.0




REVISIONS			
REV	DESCRIPTION	DATE	BY



CHASSIS MOUNTING  
 CHASSIS THICKNESS 1.4  
 FAN MOUNTING  $\phi 3.4$  THICKNESS 5.7

PART NO.	HARDNESS
BUB-96G	45°±10°
BUB-96H	55°±10°

NOTE: All measurement does not include gate which raises under 1.2mm.

 康揚企業股份有限公司 KANG YANG HARDWARE ENTERPRISE CO., LTD. 康揚塑膠(東莞)有限公司 KANG YANG PLASTIC(DONG GUAN) CO., LTD. 康哲電腦配件(吳江)有限公司 KANG CHE COMPUTER COMPONENTS(WUJIANG) CO., LTD.		TITLE	FAN SNAP RIVET	SPEC. DWG.
		MATERIAL	TPE	DATE
PART NUMBER		HARDNESS	COLOR	DRAWN
SEE ABOVE		SEE ABOVE	BLACK	SAI
SIZE	SCALE	UNLESS OTHERWISE SPECIFIED TOLERANCE	CHECK	APPROVED
A4	3:1	SEE ABOVE		
UNIT	REV			
mm	B			