

Ratings

Voltage: 60 V
 Current: 1 A
 Waterproof: IP 67

Operating Temperature Range

-40 to 105 °C

Materials

- ① Insulator: Nylon 66 + 30% glass fiber, black
- ② Pin: brass, gold-flashing
- ③ Shell: brass, nickel plated

Electrical Requirements

Dielectric strength: 1 min @ 500 Vac
 Insulation resistance: $10^8 \Omega$ min
 Contact resistance: 10 m Ω or less

Mechanical Requirements

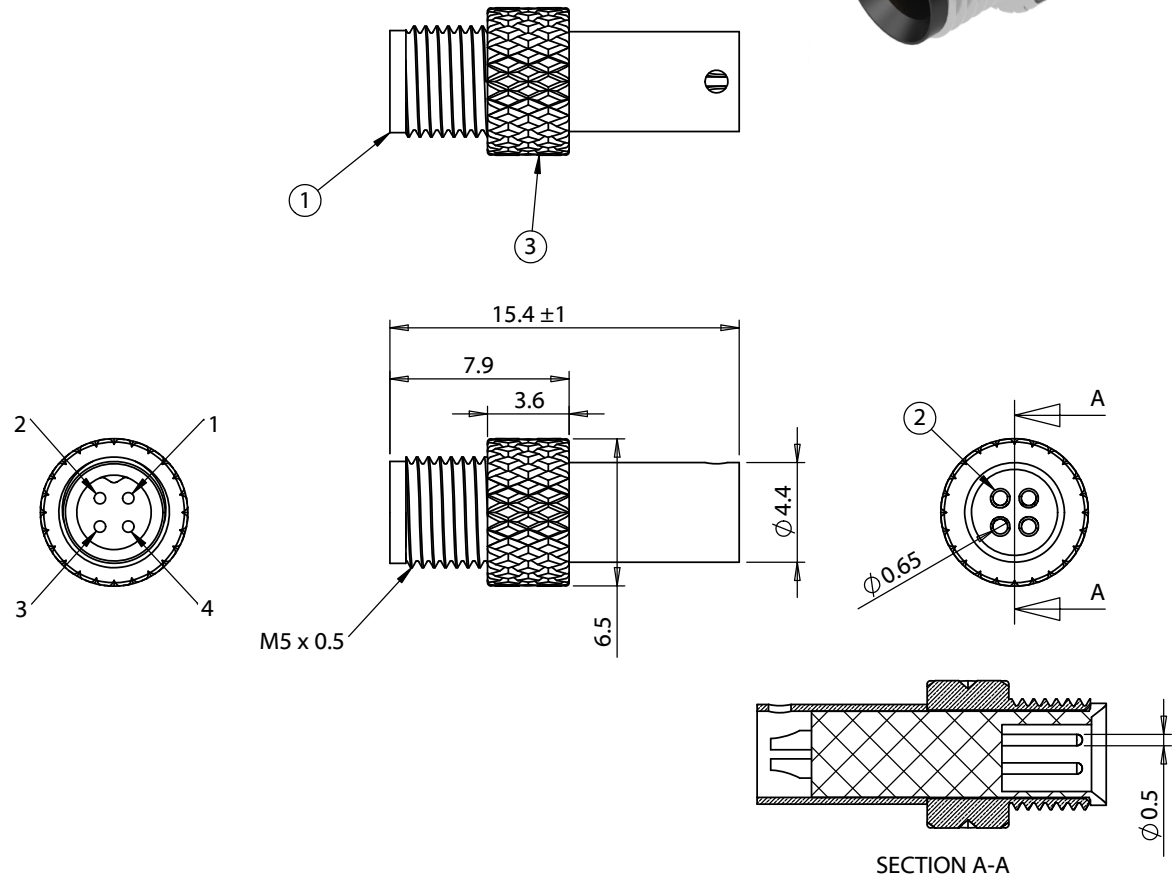
Insertion force: 0.82 kgf max
 Withdrawal force: 0.62 kgf max
 Life cycle: 500 mating cycles

Environmental Requirements

Cold test: -25 °C for 2 hours without deformation
 Heat test: 85 °C for 16 hours while maintaining minimum $10^8 \Omega$ min insulation resistance

Assembly info

Wire guage: 26 AWG max ($\varnothing 0.55$ mm)



Revision:	Date:	Description:	Prepared:	Notes:	<h1>TENSILITY</h1>
A	1/11/21	Initial release	Verified:	RoHS compliant	
			Dimensions are in millimeters. Tolerances: X: ± 0.5 mm X.X: ± 0.3 mm X.XX: ± 0.1 mm	Function test: no open, no short circuit, no intermittent	tel 1.541.323.3228 800 877.670.7118 fax 1.541.323.4202 web tensility.com
				Description: Connector, 4 pin M5 plug, 5xL15.4mm, gold plated, molding style, solder cup, IP67, shielded	Size: Part number: A 50-00671
					Scale: 3:1 Sheet 1 of 1