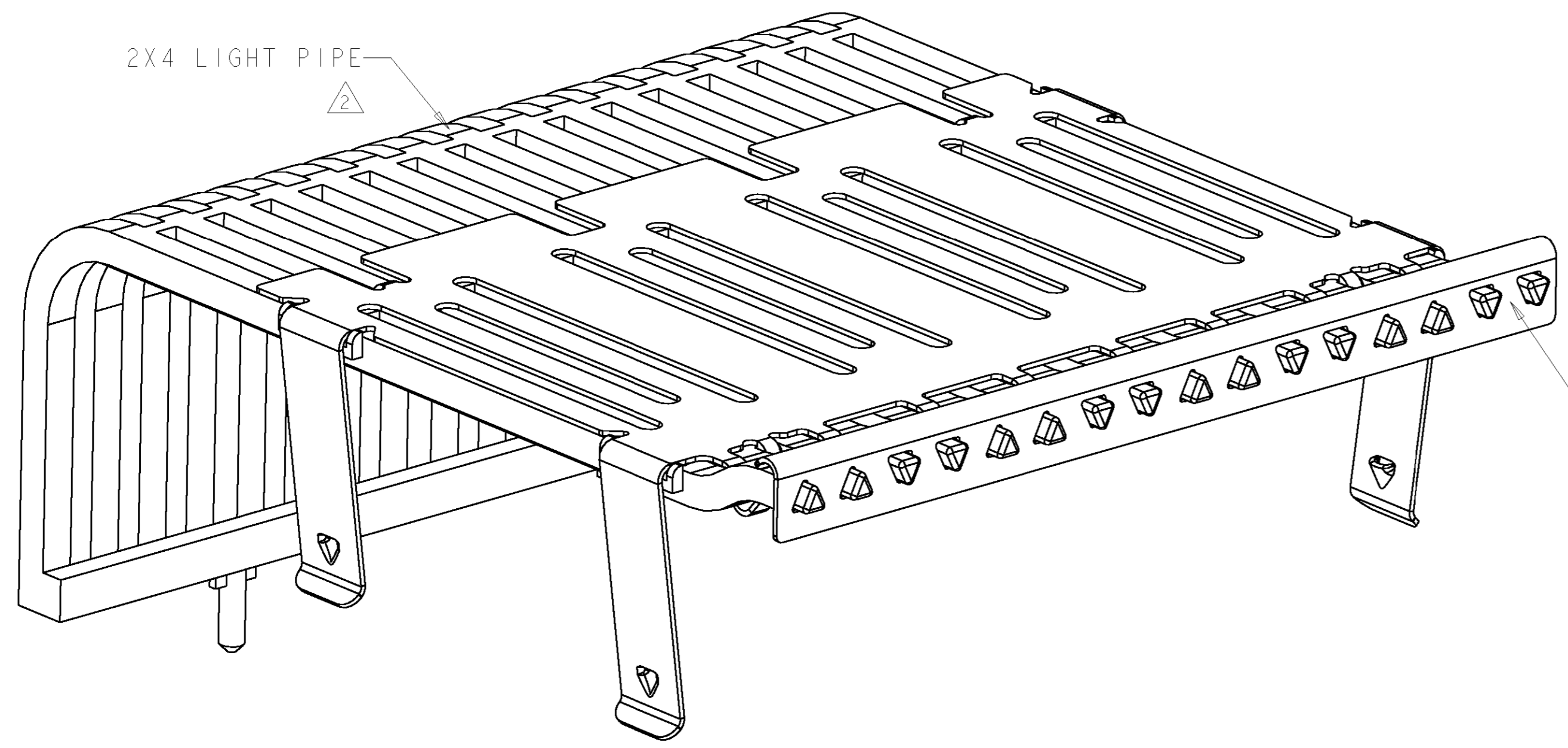
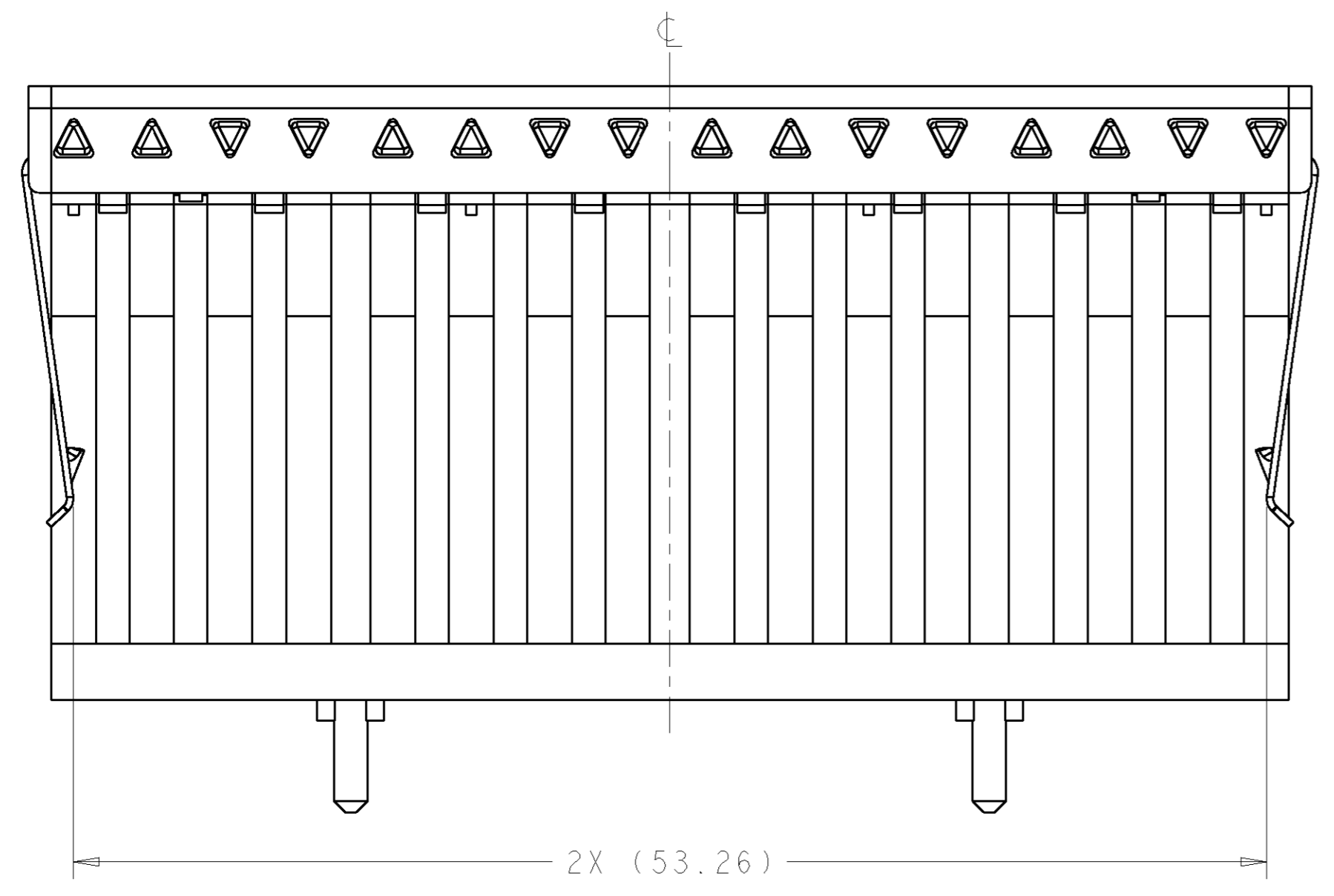


LOC	DIST	REVISIONS			
P	LTR	DESCRIPTION	DATE	DWN	APVD
GP	00				
	01	INITIAL RELEASE FOR CUSTOMER REVIEW	24FEB2004	MEC	RRH
	A	REVISED PER ECO-06-028435	11DEC06	BM	JK



△ 1 STAINLESS STEEL
 △ 2 POLYCARBONATE, CLEAR

1761005-1



1761005-1
 PART NUMBER

<small>THIS DRAWING IS A CONTROLLED DOCUMENT FOR TYCO ELECTRONICS CORPORATION. IT IS SUBJECT TO CHANGE AND THE CONTROLLING ENGINEERING ORGANIZATION SHOULD BE CONTACTED FOR THE LATEST REVISION.</small>		DWN 24FEB2004 M.E. COWHER CHK 24FEB2004 R.R. HENRY APVD 24FEB2004 R.R. HENRY	tyco Electronics Tyco Electronics Harrisburg, PA 17105-3608
DIMENSIONS: mm 	TOLERANCES UNLESS OTHERWISE SPECIFIED: 0 PLC ± 1 PLC ± 2 PLC ± 3 PLC ± 4 PLC ± ANGLES ± FINISH	PRODUCT SPEC - APPLICATION SPEC - WEIGHT -	NAME 2X4 LIGHT PIPE KIT, STACKED SFP SIZE A2 CAGE CODE 00779 DRAWING NO. 1761005 RESTRICTED TO -
MATERIAL SEE NOTE	TOLERANCES UNLESS OTHERWISE SPECIFIED: SEE NOTE	CUSTOMER DRAWING	SCALE 4:1 SHEET 1 OF 1 REV A