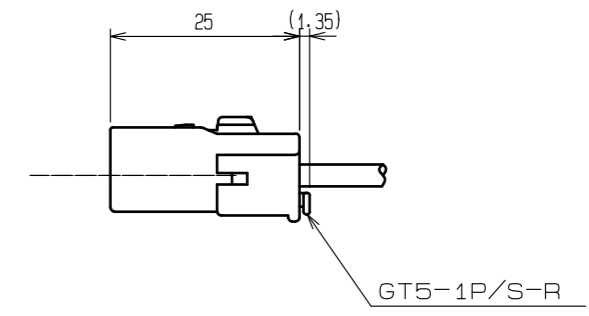
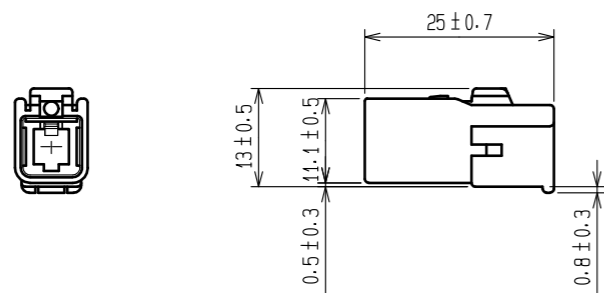
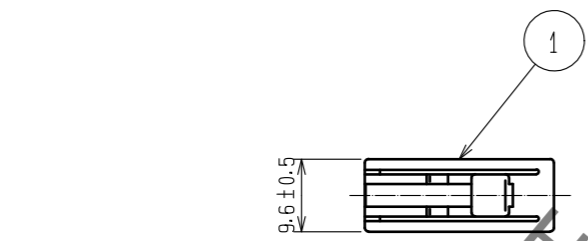


May.1.2023 Copyright 2023 HIROSE ELECTRIC CO., LTD. All Rights Reserved.
 In case of consideration for using Automotive equipment / device which demand high reliability, kindly contact our sales window correspondents.



CONNECTOR ASSEMBLED WITH A RETAINER

HRS DRAWING FOR REFERENCE

△ PECULIAR SPECIFICATION CHART

| PART NO. | CL NO. | SPECIFICATION |
|---------------|---------------|--------------------|
| GT5-1S-HU | 755-0004-7 | UL94V-0 LIGHT GRAY |
| GT5-1S-HU(20) | 755-0004-7-20 | UL94V-0 ORANGE |

| 1 | PBT | | | | | | | |
|--------------------------------------|----------|-----------------------|--------------|--|------------------|-----------------------|--------------------------|------------------|
| NO. | MATERIAL | FINISH . REMARKS | NO. | MATERIAL | FINISH . REMARKS | | | |
| UNITS mm | | SCALE 1 : 1 | COUNT △ 1 | DESCRIPTION OF REVISIONS DIS-T-00013033 | | DESIGNED TY. OZAKI | CHECKED MH. YAMAGUCHI | DATE 20220217 |
| HRS HIROSE ELECTRIC CO., LTD. | | APPROVED : KS. SATOH | 20050105 | DRAWING NO. EDC3-084957-00 | | | | |
| | | CHECKED : NH. NAKATA | 20050105 | PART NO. GT5-1S-HU | | | | |
| | | DESIGNED : TS. KUBOTA | 20050105 | CODE NO. CL0755-0004-7-00 | | | | |
| | | DRAWN : MO. OKADA | 20050105 | | | | | △ |