
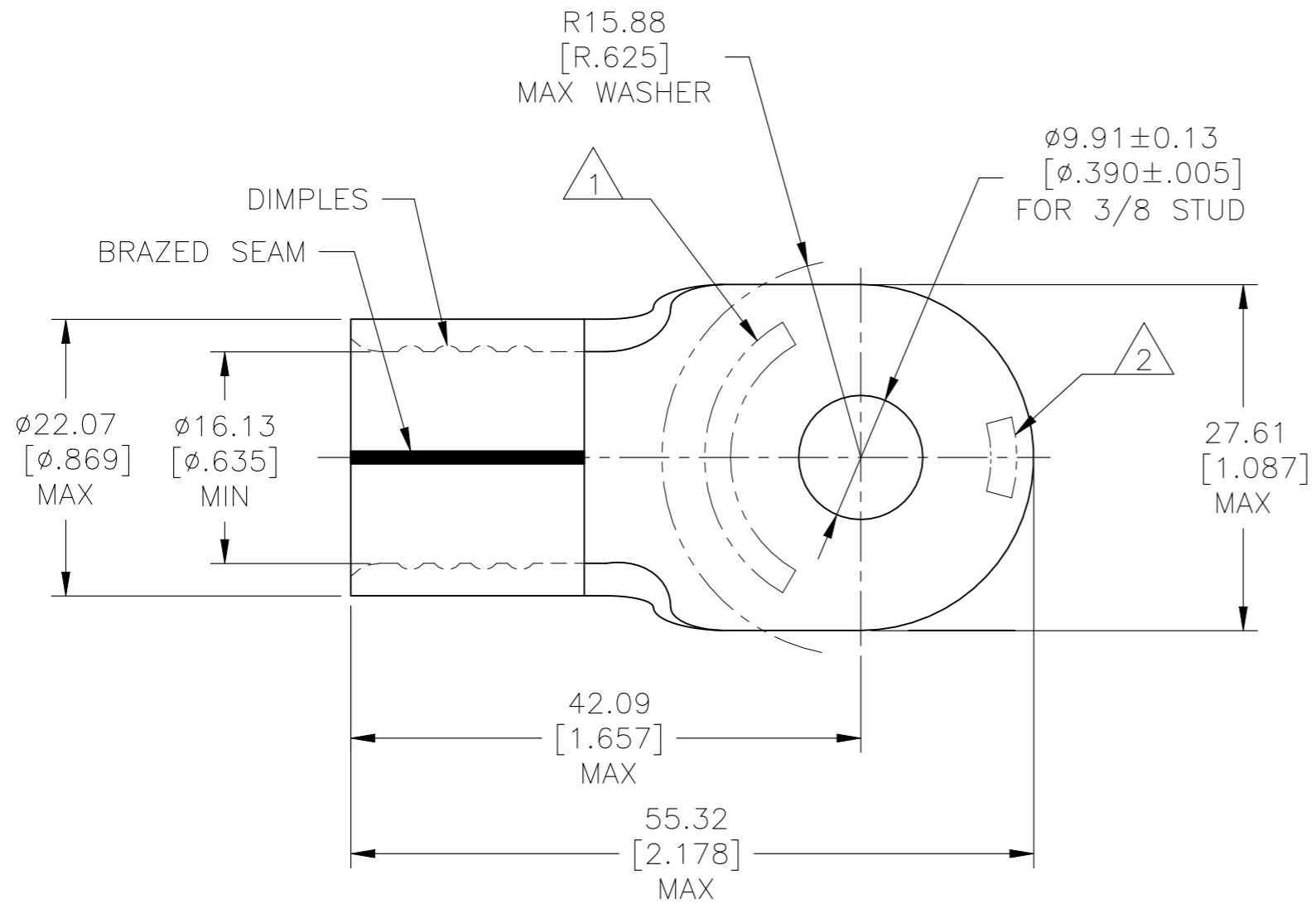


REVISIONS

| P | LTR | DESCRIPTION               | DATE      | DWN | APVD |
|---|-----|---------------------------|-----------|-----|------|
|   | H4  | REVISED PER ECN-22-150900 | 27APR2022 | RK  | CSD  |

|                              |  |
|------------------------------|--|
| <b>AMP</b><br>WIRE RANGE     |  E13288<br>Listed |
| 4/0 AWG<br>SOLID OR STRANDED | 4/0 AWG<br>SOLID OR STRANDED   |

|   |
|---|
|  LR7189<br>Certified |
| 4/0 AWG<br>SOLID OR STRANDED  |



- 1 STAMP AMP 4/0W\* APPROX AS SHOWN.
- 2 STAMP AMP 200 APPROX AS SHOWN.
- 3 MATERIAL THK: 2.59±0.08 [.102±.003].
- 4 TIN PLATE 0.00254[.000100] MIN EXT. THK PER ASTM B545.
- 5 NICKEL PLATE 0.00762[.000300] MIN EXT THK PER SAE AMS QQ-N-290.
- 6 PART IS NOT UL LISTED OR CSA CERTIFIED OR MILITARY QUALIFIED.

|       |                             |      |              |             |
|-------|-----------------------------|------|--------------|-------------|
| 6 5 4 | 343°C [650°F]               | 50   | LOOSE PIECE  | 321878-1    |
|       | 170°C [338°F]               |      |              | 321878      |
|       | RECOMMENDED OPERATING TEMP. | QTY. | PACKAGE TYPE | PART NUMBER |

**AMP INCORPORATED  
CUSTOMER SERVICE SYSTEMS**

FOR ADDITIONAL PRODUCT INFORMATION OR COPIES OF DRAWINGS AND TECHNICAL DOCUMENTS  
PRODUCT INFORMATION CENTER  
1-800-522-6752

FOR APPLICATION TOOLING INFORMATION  
TOOLING ASSISTANCE CENTER  
1-800-722-1111

FOR ORDER ENTRY  
1-800-526-5142

MAX RECOMMENDED OPERATING TEMPERATURE:  
SEE TABLE

VOLTAGE RATING:  
NOT APPLICABLE

WIRE CROSS SECTIONAL AREA RANGE:  
96.3-117.0mm<sup>2</sup>[190,000-231,100] CIR MILS  
SOLID OR STRANDED

THIS DRAWING IS A CONTROLLED DOCUMENT.

DIMENSIONS:  
mm [INCHES]

TOLERANCES UNLESS OTHERWISE SPECIFIED:

|        |              |
|--------|--------------|
| 0 PLC  | ± -          |
| 1 PLC  | ± -          |
| 2 PLC  | ± 0.20[.008] |
| 3 PLC  | ± -          |
| 4 PLC  | ± -          |
| ANGLES | ± -          |

MATERIAL  
COPPER PER ASTM B-152 ANNEALED

FINISH  
4

DWN DK SCHRUM 5/25/93

CHK RD HEIM 1/27/94

APVD RE ROSER 1/27/94

PRODUCT SPEC

APPLICATION SPEC

WEIGHT -

CUSTOMER DRAWING

**STE** TE Connectivity

NAME  
TERMINAL, RING TONGUE,  
SOLISTRAND, STRATO-THERM,  
4/0 AWG

SIZE A3 CAGE CODE 00779 DRAWING NO C-321878 RESTRICTED TO -

SCALE 2:1 SHEET 1 OF 1 REV H4