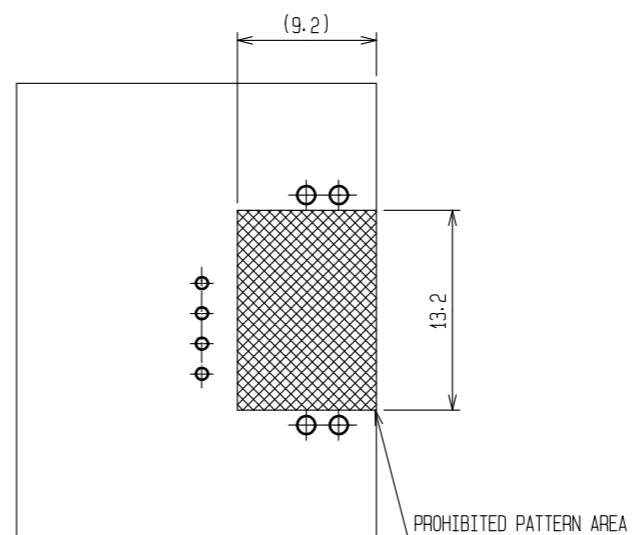
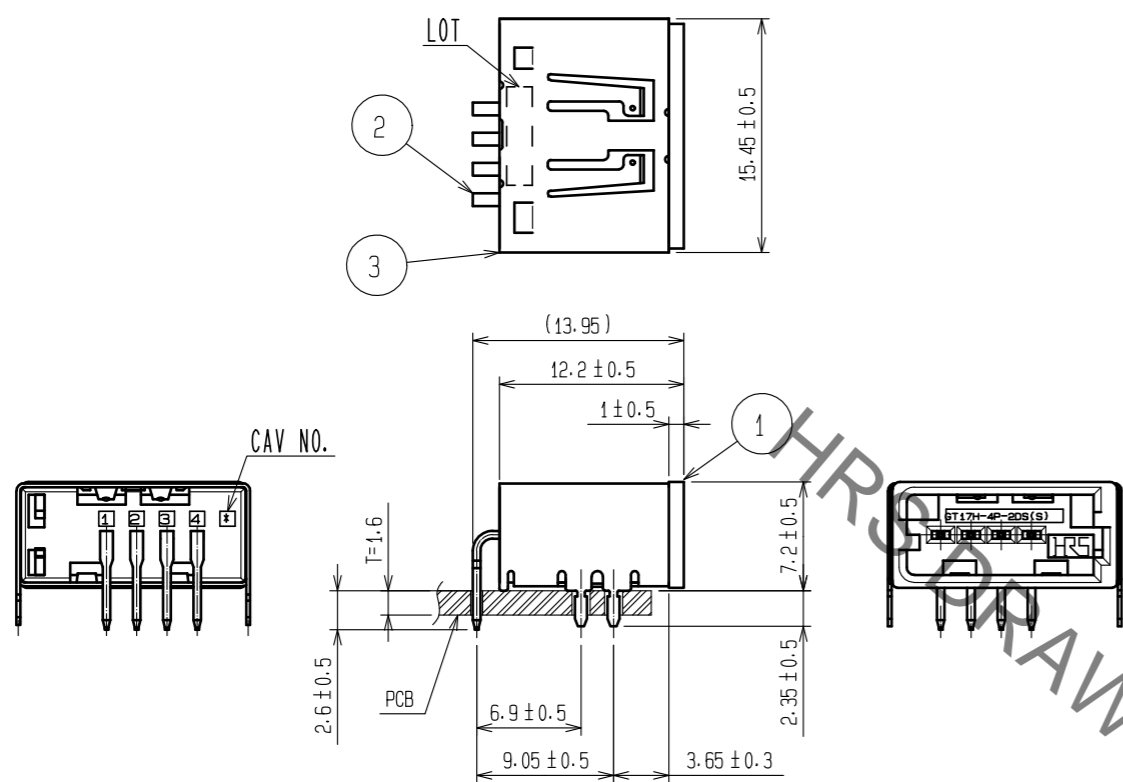
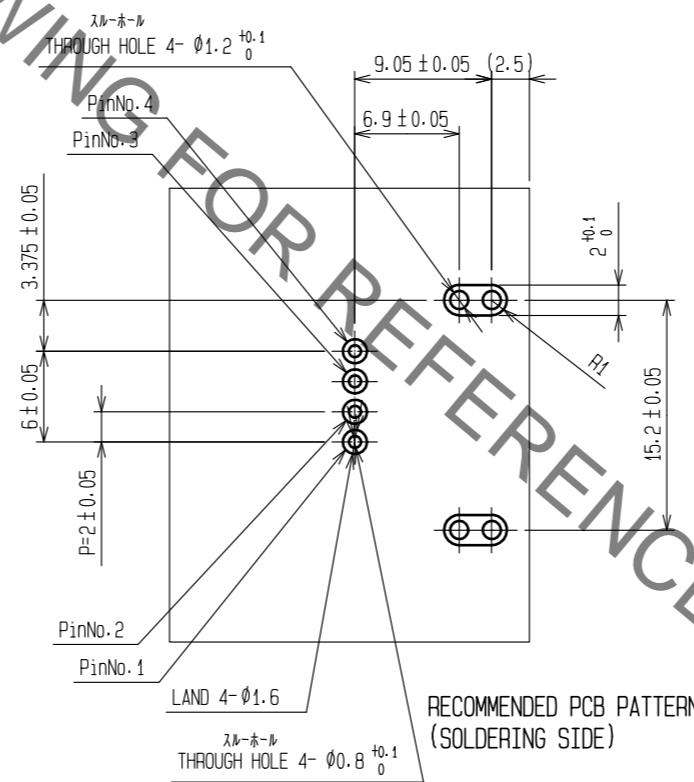


May.1.2023 Copyright 2023 HIROSE ELECTRIC CO., LTD. All Rights Reserved.
In case of consideration for using Automotive equipment / device which demand high reliability, kindly contact our sales window correspondents.

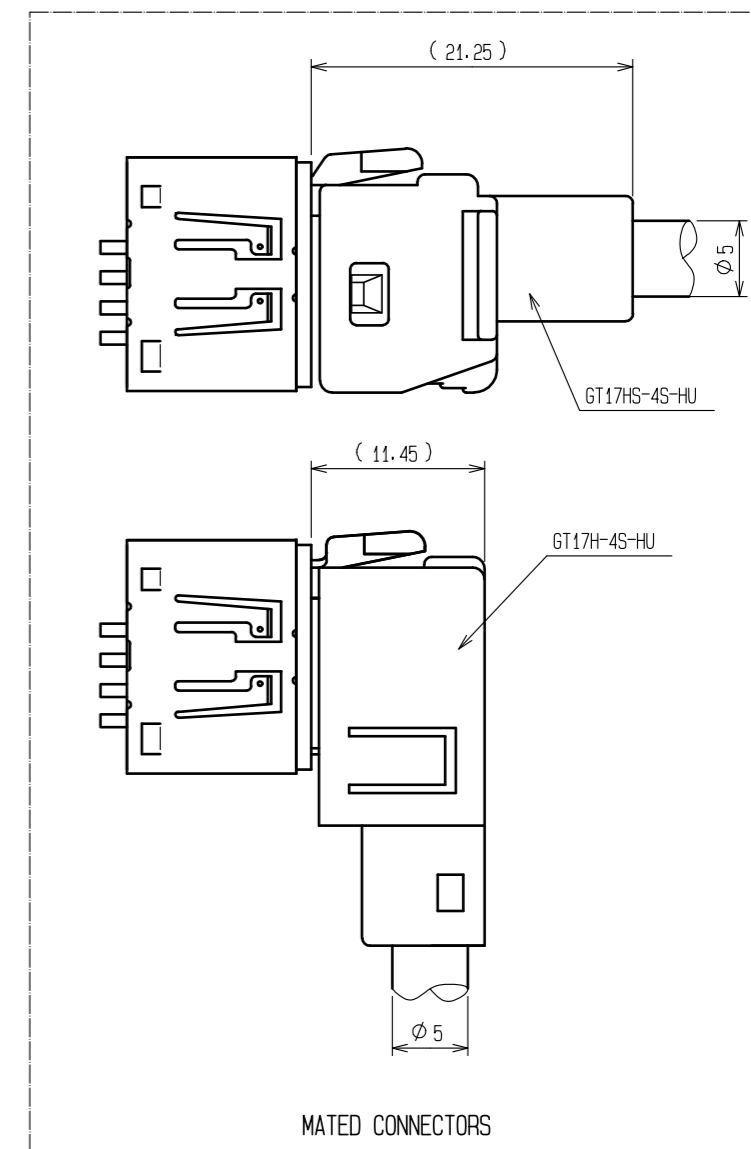
RoHS, ELV COMPLIANT



RECOMMENDED PCB PATTERN (CONNECTOR SIDE)



RECOMMENDED PCB PATTERN (SOLDERING SIDE)



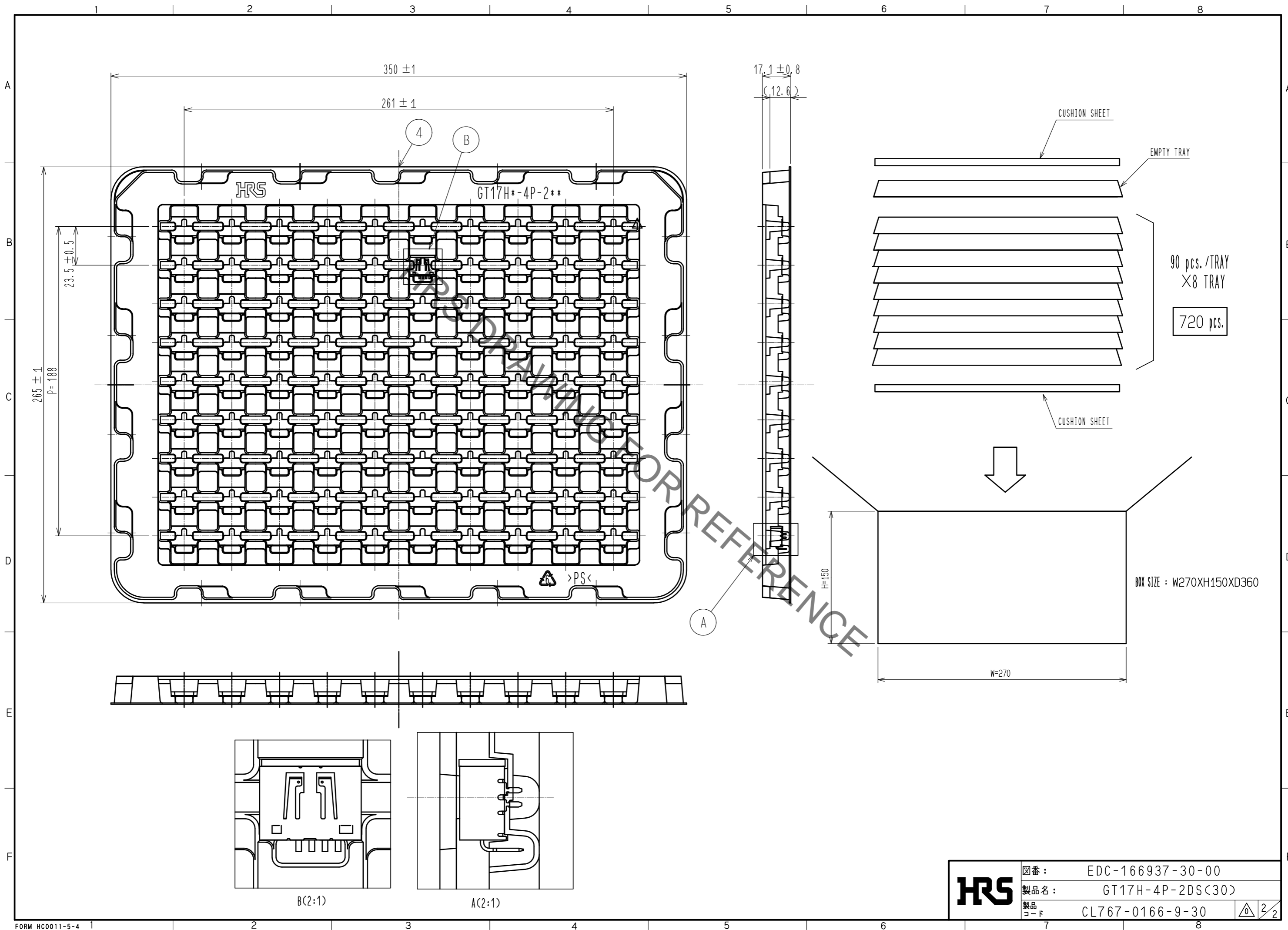
MATED CONNECTORS

NOTE1. APPLICABLE CONNECTOR : GT17H-4S-HU
GT17HS-4S-HU

2. APPLICABLE PC BOARD : T=1.6mm

2	BRASS	TIN PLATING	4	PS	NATURAL		
1	PPS	LIGHT GRAY	3	COPPER ALLOY	TIN PLATING		
NO.	MATERIAL	FINISH . REMARKS	NO.	MATERIAL	FINISH . REMARKS		
UNITS mm		SCALE 2 : 1		DESCRIPTION OF REVISIONS	DESIGNED	CHECKED	DATE
HRS HIROSE ELECTRIC CO., LTD.		APPROVED : NH. NAKATA	15.09.10	DRAWING NO.	EDC-166937-30-00		
		CHECED : NH. NAKATA	15.09.10	PART NO.	GT17H-4P-2DS(30)		
		DESIGNED : TK. SUZUKI	15.09.09	CODE NO.	CL767-0166-9-30		
		DRAWN : TK. SUZUKI	15.09.09				

May.1.2023 Copyright 2023 HIROSE ELECTRIC CO., LTD. All Rights Reserved.
In case of consideration for using Automotive equipment / device which demand high reliability, kindly contact our sales window correspondents.



HRS	図番:	EDC-166937-30-00	2/2
	製品名:	GT17H-4P-2DS(30)	
	製品コード:	CL767-0166-9-30	