

THIS DRAWING IS UNPUBLISHED.

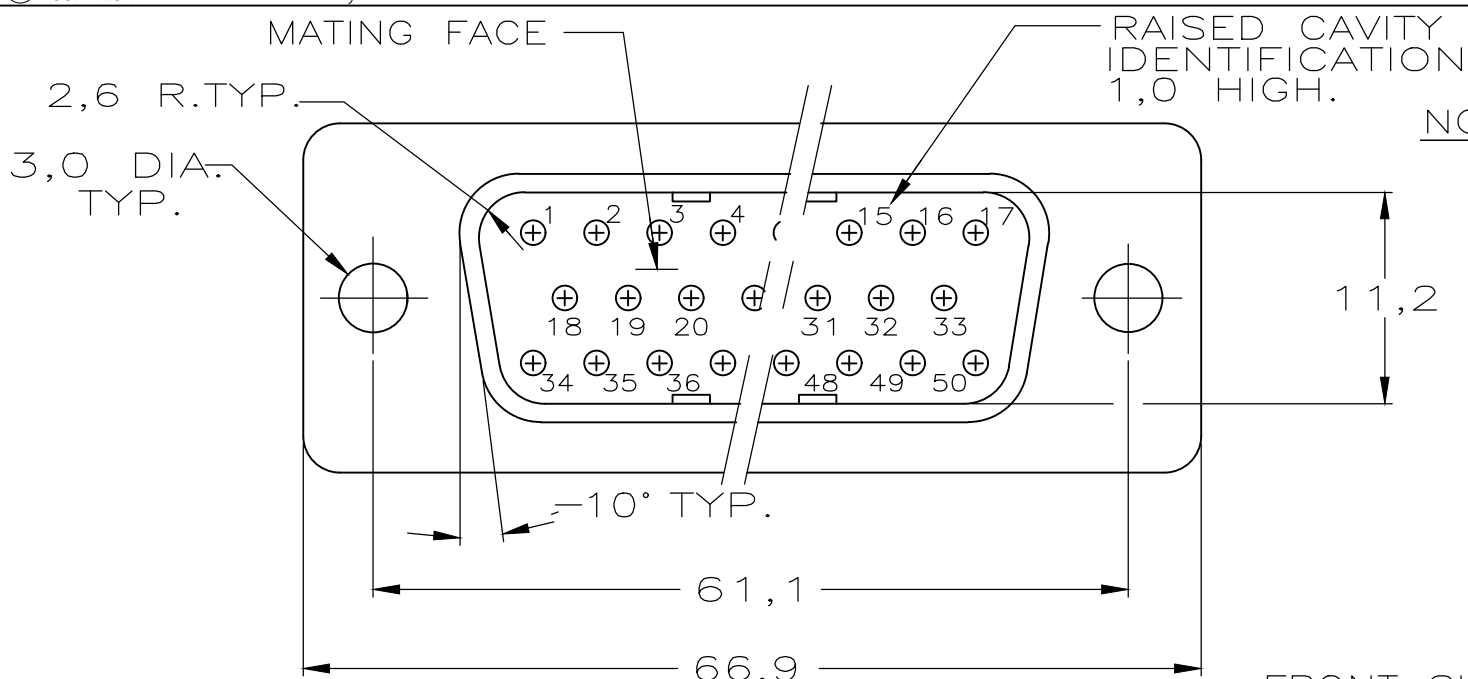
RELEASED FOR PUBLICATION

REVISIONS

© COPYRIGHT - TE Connectivity Ltd.

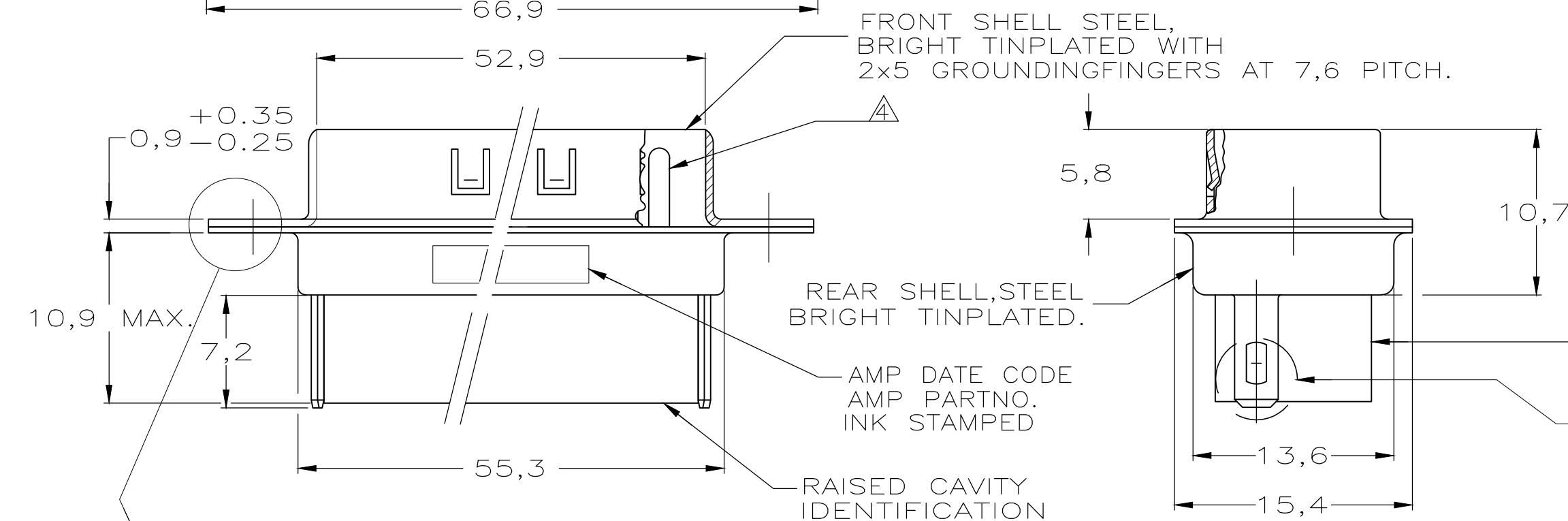
ALL RIGHTS RESERVED.

P	LTR	DESCRIPTION	DATE	DWN	APVD
	C	REVISED PER ECO-18-001571	08FEB2018	AP	DG



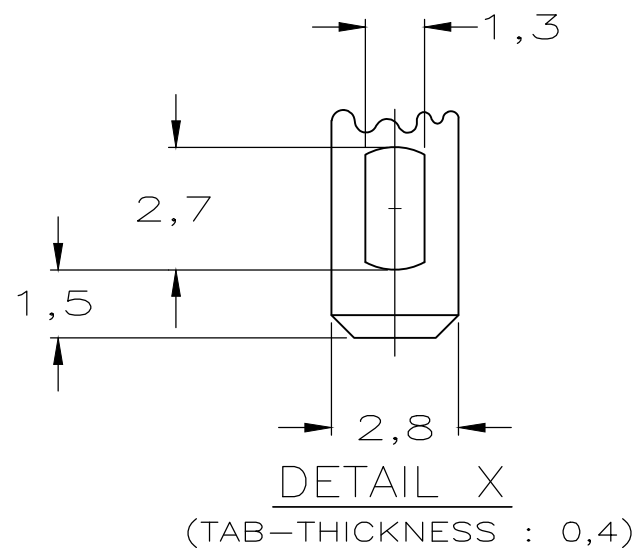
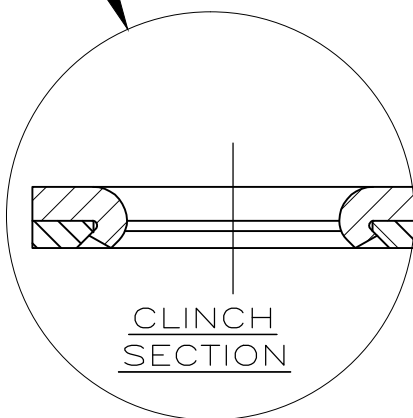
- NOTES:
- 1 THIS PLUG ACCEPTS SIZE 20 PIN CONTACTS
 - 2 MAXIMUM WIRE INSULATION RECOMMENDED FOR USE WITH THIS PLUG IS 1,73 DIA. MAX..
 - 3 RETENTION TINES ARE AN INTEGRAL PART OF INSERT.
 - 4 CONTACTS SHOWN FOR ILLUSTRATION ONLY, NO PART OF CONNECTOR PACKAGE, MUST BE ORDERED SEPARATELY.
 - 5 FOLLOWING INSERTION/REMOVAL TOOLS ARE RECOMMENDED FOR USE WITH THESE CONNECTORS:

32-28AWG/28-24AWG CONT's	24-20AWG CONTACTS
91067-3 INSERTION/REMOVAL	91067-2 INSERTION/REMOVAL
726363-1 INSERTION ONLY	726363-1 INSERTION ONLY
	726364-1 REMOVAL ONLY



INSERTS: NYLON
GLASS-FILLED
SELF-EXTINGUISHING
COLOR: BLACK
SEE DETAIL X

SEE DRAWING	SEE DRAWING	188289-1
FINISH	MATERIAL	PARTNUMBER



THIS DRAWING IS A CONTROLLED DOCUMENT.		DWN	L.V.D.HEIJDEN	30.06.87	 TE Connectivity Ltd.	NAME				
DIMENSIONS: mm		CHK	C.V.TILBURG	07-07-87		HDP-20 PLUG CONNECTOR, SIZE 5, (50 POSITION) WITH SOLDER TABS				
TOLERANCES UNLESS OTHERWISE SPECIFIED:		APVD	L.V.SOEST	28-07-87		SIZE	CAGE CODE	DRAWING NO	RESTRICTED TO	
0 PLC ± - 1 PLC ± - 2 PLC ± - 3 PLC ± - 4 PLC ± - ANGLES ± -		PRODUCT SPEC	-			A3	00779	C-215714	-	
MATERIAL		FINISH		WEIGHT		CUSTOMER DRAWING		SCALE	SHEET	REV
-		-		0.000000		-		1 OF 1	C	