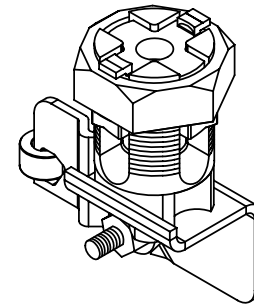
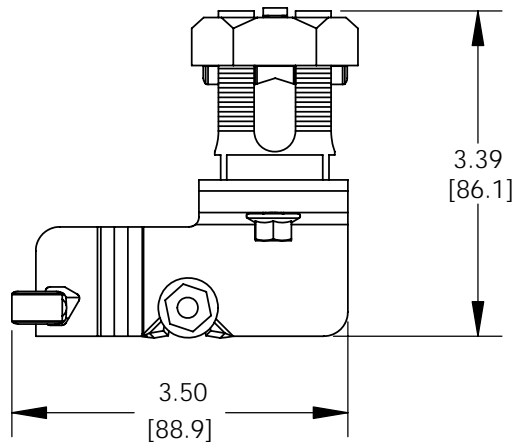
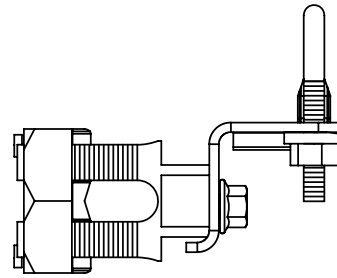
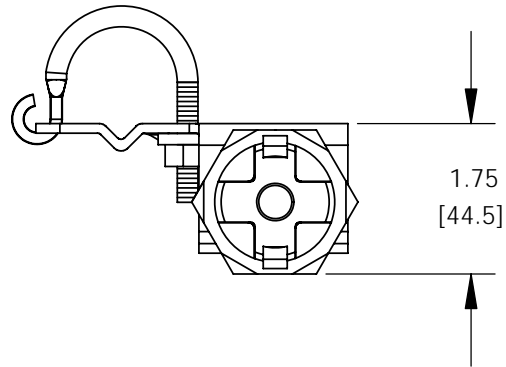


THIS COPY IS PROVIDED ON A RESTRICTED BASIS AND IS NOT TO BE USED IN ANY WAY DETRIMENTAL TO THE INTERESTS OF PANDUIT CORP.



NOTES:

1. PACKAGING: 1 KIT PER BOX  
10 BOXES PER CARTON
2. DIMENSIONS IN PARENTHESIS ARE MILLIMETERS.



C41704\_00

00	3/07	JHNU	RGB	DRAWING RELEASED
REV	DATE	BY	CHK	DESCRIPTION

		TINLEY PARK, ILLINOIS	
		PEDESTAL CLAMP (GPQC1/0) CUSTOMER DRAWING	
ECN	SCALE N/A	DRAWING NO / CAD FILE	C41704