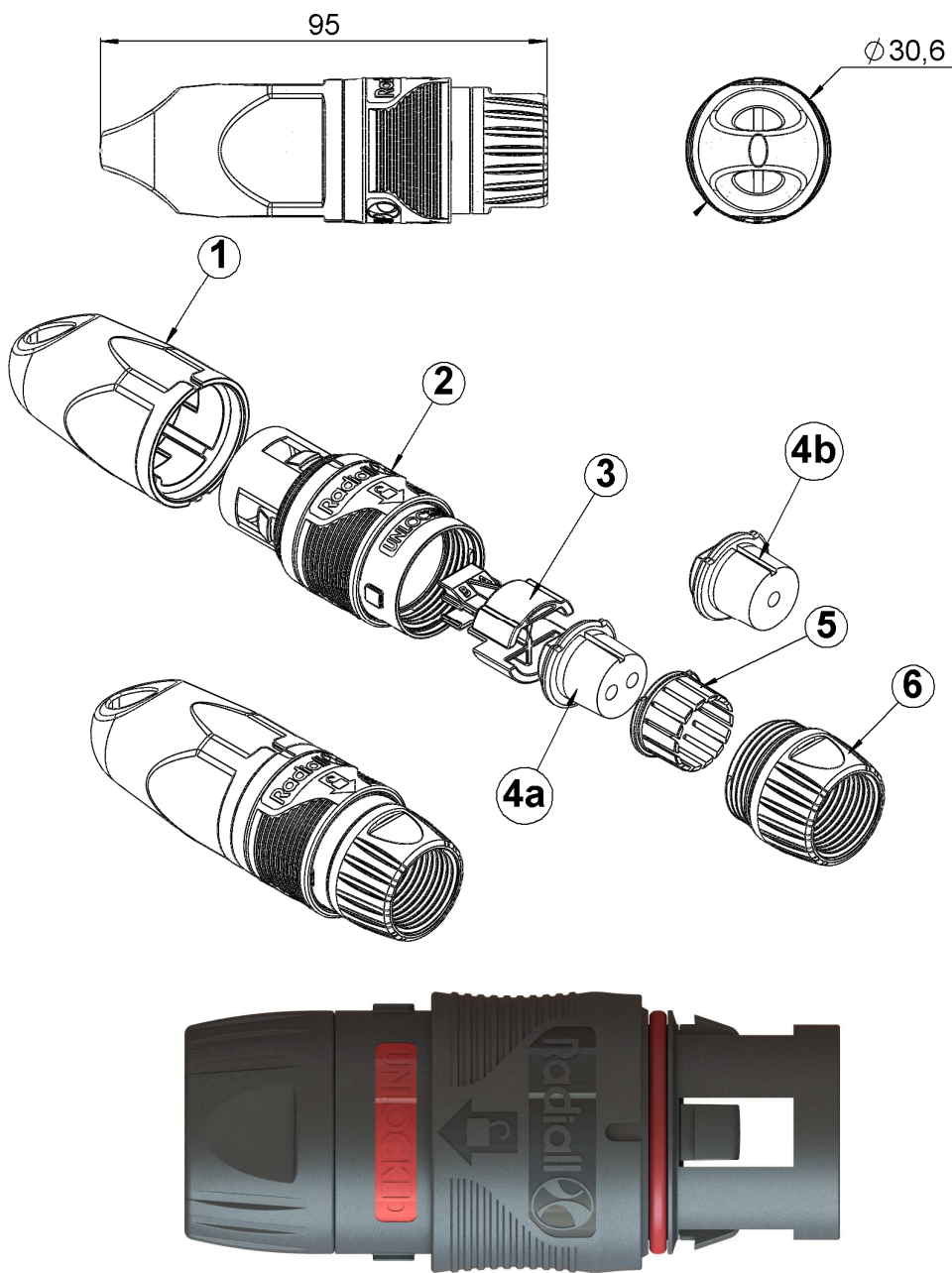


PAGE 1/5	ISSUE 1426D	SERIES OPUS	PART NUMBER OPUS117200
----------	-------------	-------------	-------------------------------

Dimensions in mm



DESCRIPTION

REP	COMPONENT	MATERIALS	PLATING
1	Protection cap	PA 6.6	-
2	Main body	PBT GF30	-
3	LC duplex support	PBT GF30	-
4a	Gasket duplex	Silicone	-
4b	Gasket simplex	Silicone	-
5	Cable gland	PBT	-
6	Nut	PBT GF30	-

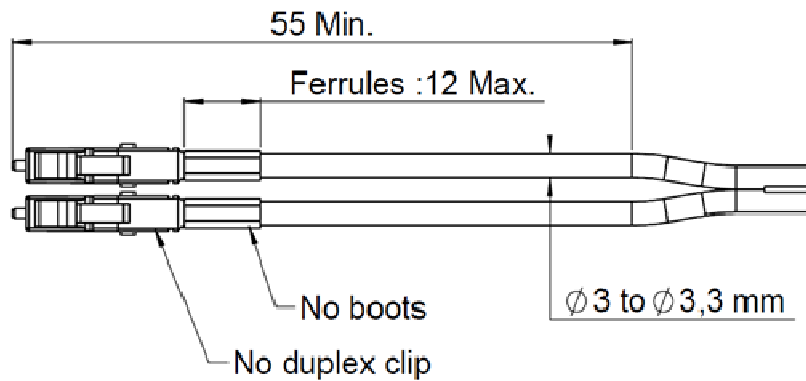
PAGE 2/5	ISSUE 1426D	SERIES OPUS	PART NUMBER OPUS117200
----------	-------------	-------------	-------------------------------

Dimensions in mm

GENERAL CHARACTERISTICS

Mechanical Mating endurance Tensile load	IEC 61300-2-2 IEC 61300-2-4	100 cycles 100N
Environmental Protection class Operating temperature Storage temperature Humidity (damp heat) Salt Mist Flammability RoHS	IEC 60529 IEC 61300-2-22 IEC 61300-2-22 IEC 61300-2-19 IEC 61300-2-26 UL94 -	IP67 mated -40°C to +85°C -25°C to +75°C 5% to 95% RH 672h V1 Compliant
Others: Connection Compatibility Cable Weight Packaging	- - - - -	Red marking visible when disconnected For use with OPUS LC Duplex receptacle OPUS.107.200 For use with standard LC connectors. Diameter of cable : from 3 mm to 3,3mm. For other cable diameter, contact us. 47,95 g Unitary in plastic bag. 25 parts in 10L box

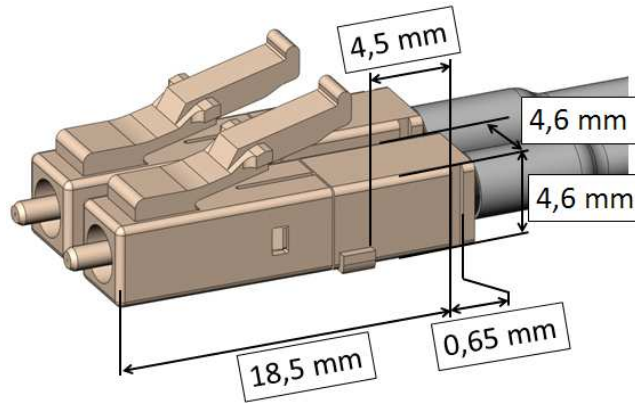
PATCHCORD REQUEST



PAGE 3/5	ISSUE 1426D	SERIES OPUS	PART NUMBER OPUS117200
----------	-------------	-------------	-------------------------------

Dimensions in mm

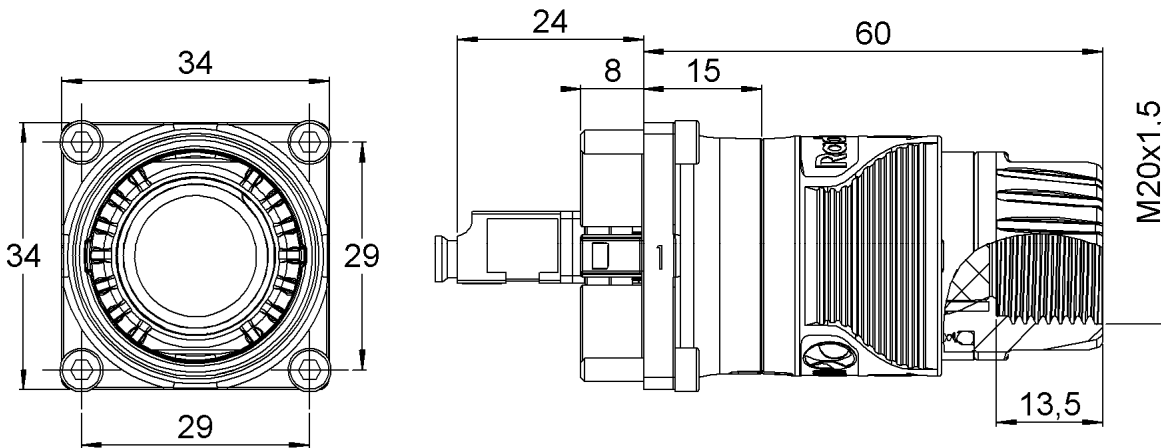
LC CONNECTOR REQUEST



* For more information about compatible LC, please contact us.

MATED DIMENSIONS

- LC Duplex Kit Plug (OPUS.117.200) and LC duplex adaptor (OPUS.107.200) :



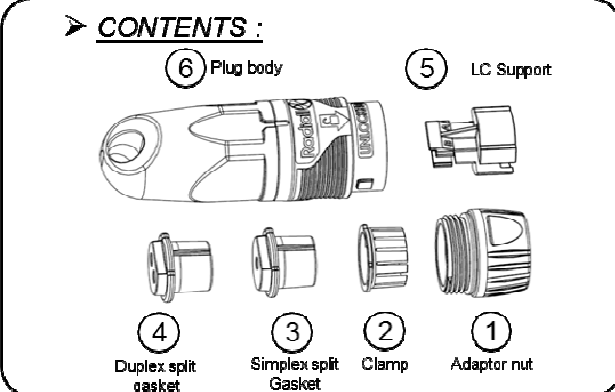
PAGE 4/5	ISSUE 1426D	SERIES OPUS	PART NUMBER OPUS117200
----------	-------------	-------------	------------------------

Dimensions in mm

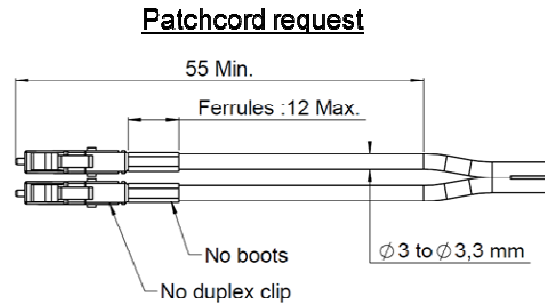
OPUS Short Plug Kit

➤ Assembly instructions for optical LC patchcords

➤ **CONTENTS :**

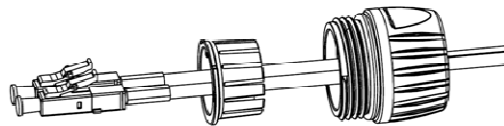


- 6 Plug body
- 5 LC Support
- 4 Duplex split gasket
- 3 Simplex split Gasket
- 2 Clamp
- 1 Adaptor nut



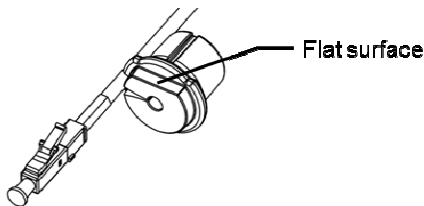
**Caution during assembly process.
Pay attention to fiber integrity.**

1 Slide the adaptor nut ① and the clamp ② along the patch cord.

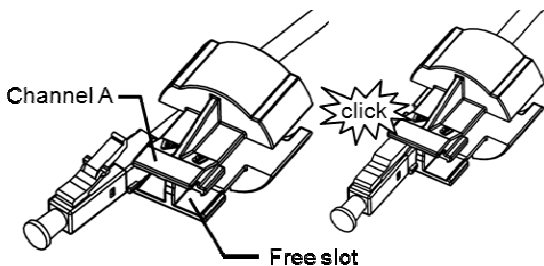


Simplex cable

2 Place the simplex split gasket ③ on the cable using the split on the side, larger diameter toward the front.

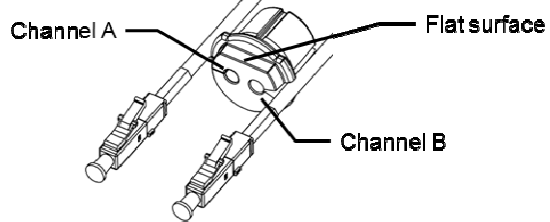


3 Insert the LC connector by the side into the cavity A of LC support ⑤.

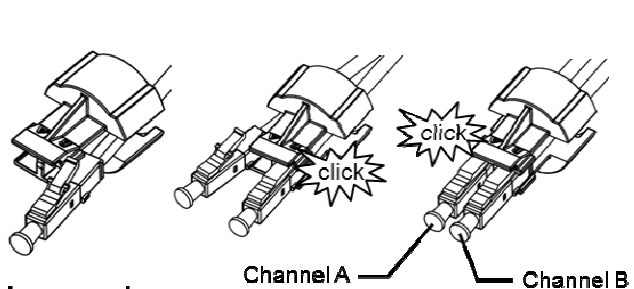


Duplex cable

2b Place the duplex split gasket ④ on the cable using the split on both side, take care of channel positioning. Larger diameter toward the front.



3b Insert the LC connectors by the side into the LC support ⑤, take care of channel positioning.

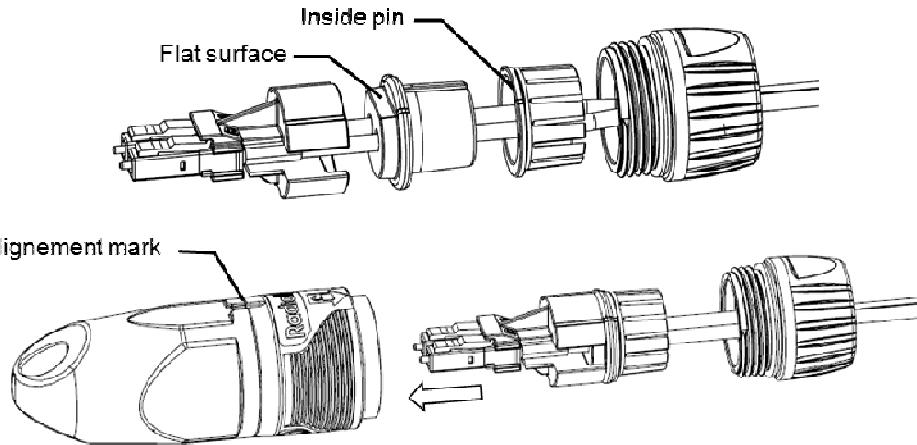


**LC latch must be press down
Remove LC protection cap after this operation**

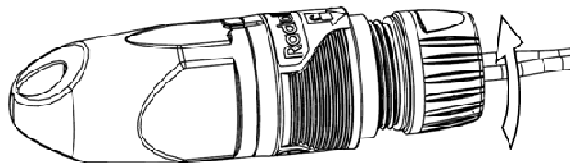
PAGE 5/5	ISSUE 1426D	SERIES OPUS	PART NUMBER OPUS117200
----------	-------------	-------------	-------------------------------

Dimensions in mm

- 4** Align and assemble LC support **6** with gasket **3** or **4** and clamp **2**. Insert this assembly into the plug body **5**.

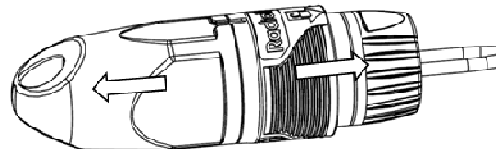


- 5** Screw the adaptor nut **1** onto the body. 2 N.m Max.

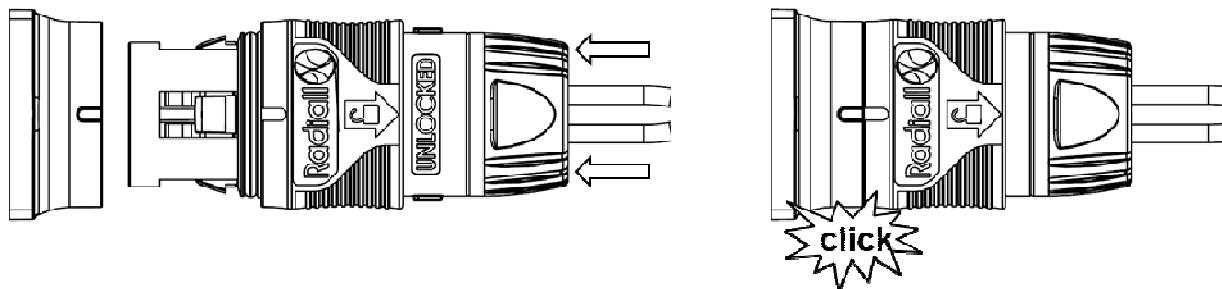


➤ Mating

- 1** Pull on the collar to remove the protection cap.



- 2** Push the plug body into the receptacle until the collar is in lock position : Mention "UNLOCKED" not visible anymore.



➤ Unmating

- 1** Pull on the collar.

