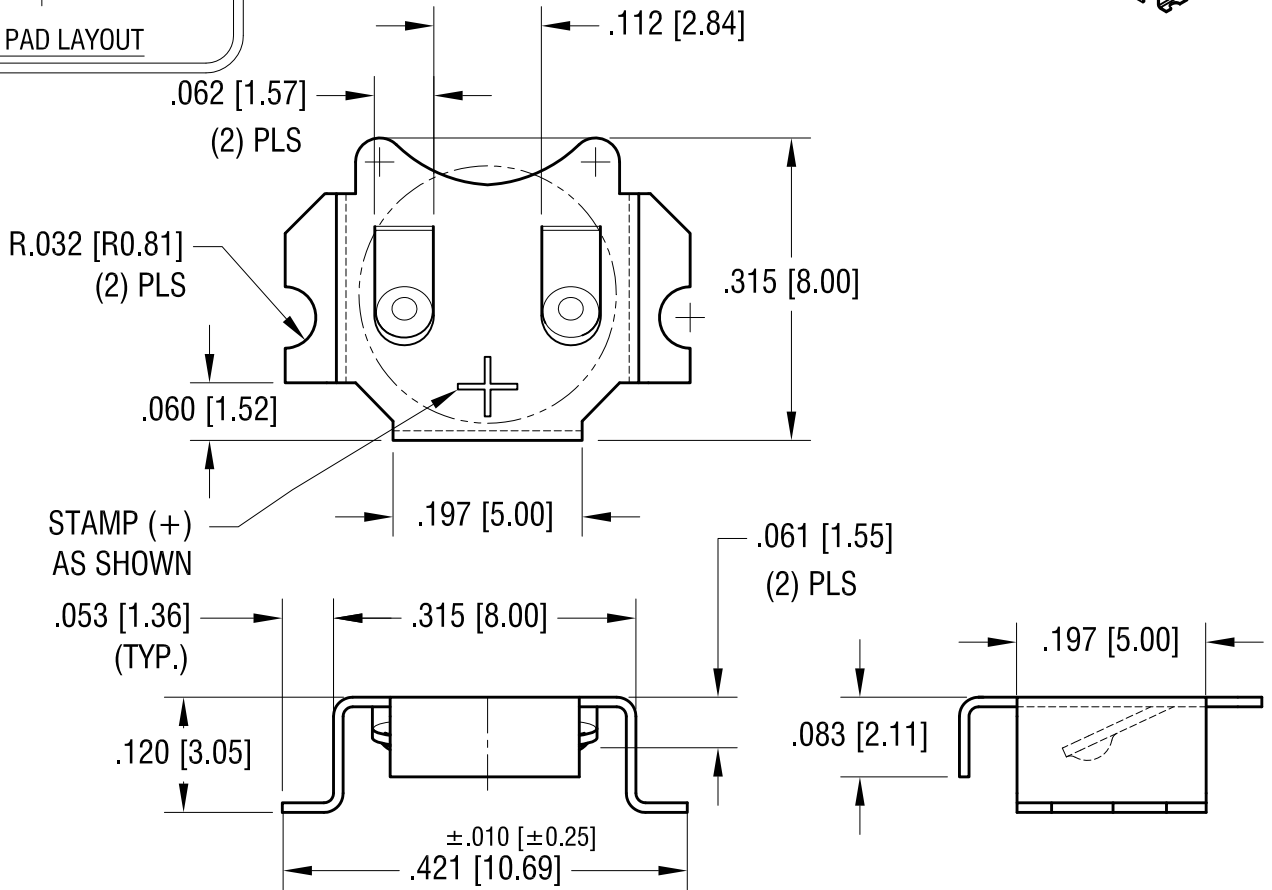
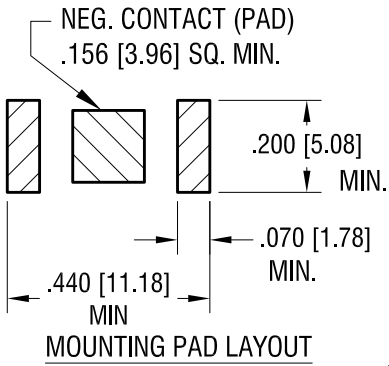


THIS DOCUMENT IS THE PROPERTY OF KEYSTONE ELECTRONICS CORP. AND SHALL NOT BE REPRODUCED, DISTRIBUTED OR USED AS A BASIS FOR MANUFACTURE WITHOUT PRIOR WRITTEN PERMISSION FROM KEYSTONE ELECTRONICS CORP.

ACTUAL SIZE



**KEYSTONE ELECTRONICS CORP.**

www.keyelco.com • NEW HYDE PARK, NY 11040 • Tel (516) 328-7500

PART NAME  
6.8mm SM BUTTON CELL RETAINER

MATERIAL  
.010 [0.25] TH'K PHOSPHOR BRONZE

FINISH <b>MATTE TIN PLATE</b>	DRN BY NT	DATE 4.07.09
	APP'D LN	SCALE 5X

TOLERANCES INCH [MM] DECIMAL ±.005 [±0.13] ANGULAR ± 1° UNLESS OTHERWISE SPECIFIED	CODE C	DWG NO. <b>3098</b>
---	-----------	------------------------

1.04.22	CHANGE AS PER ECN 22-001	B
12.30.16	CHANGE AS PER ECN 16-128	A
DATE	DESCRIPTION	REV.