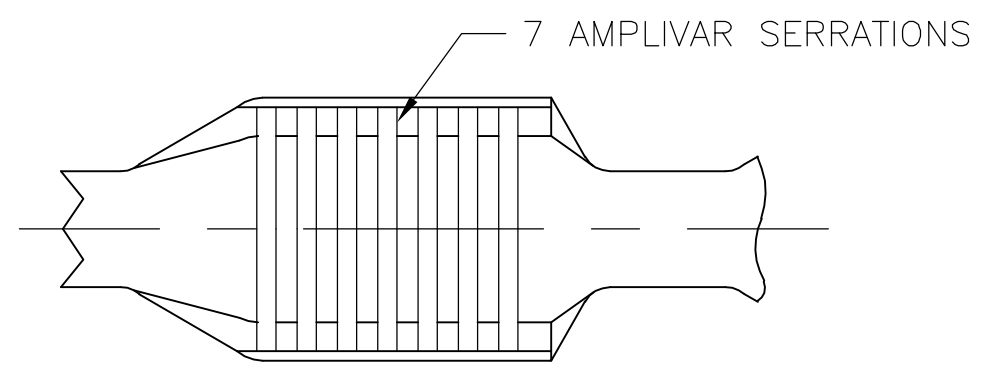
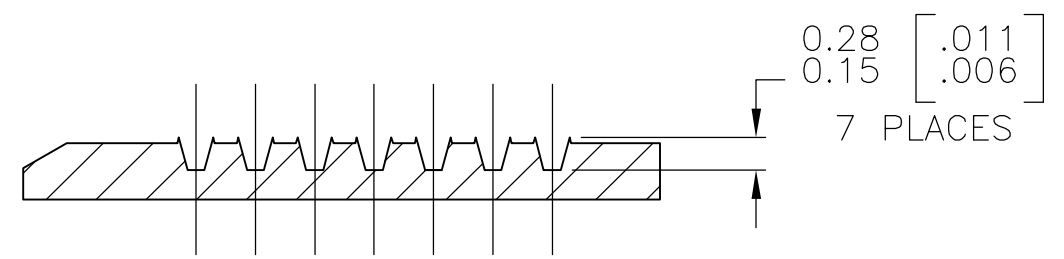
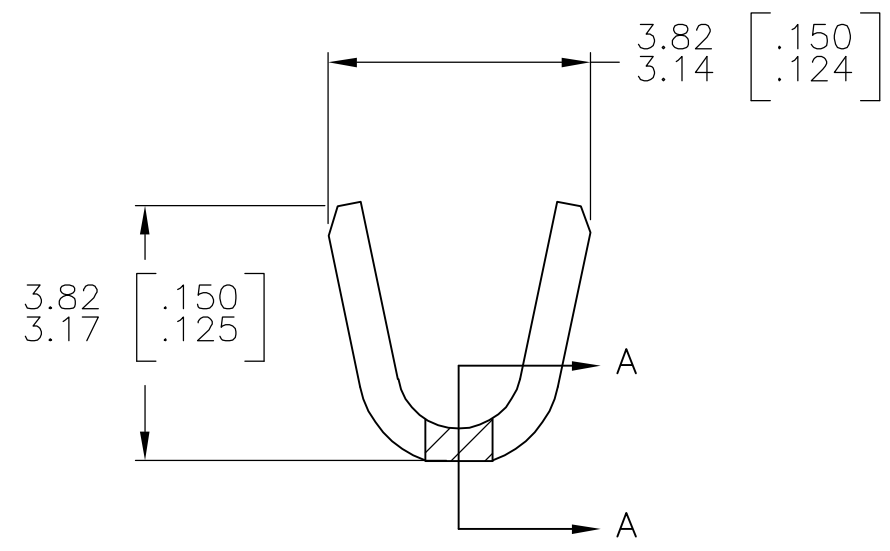
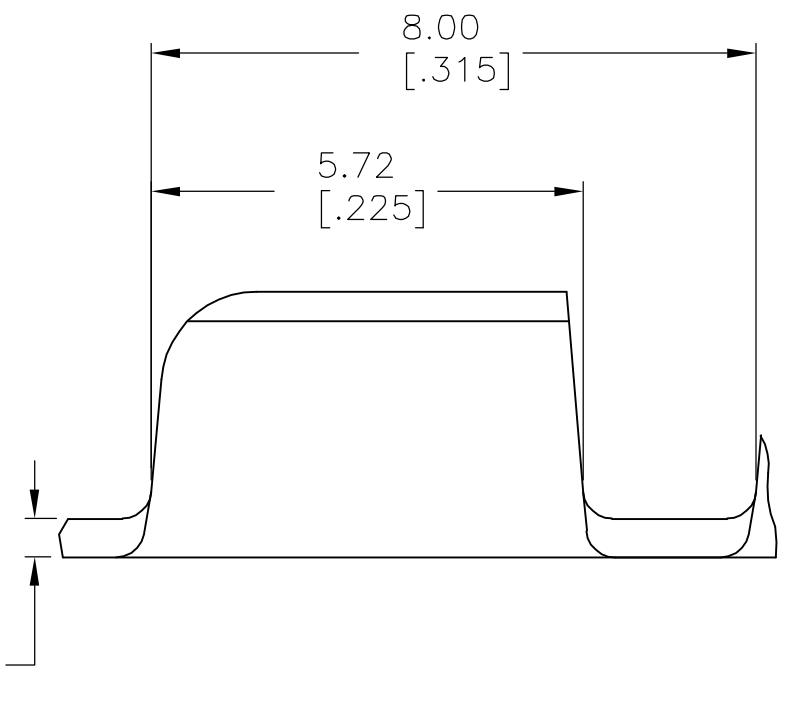


THIS DRAWING IS UNPUBLISHED. RELEASED FOR PUBLICATION
 © COPYRIGHT BY TYCO ELECTRONICS CORPORATION. ALL RIGHTS RESERVED.

| LOC | DIST | REVISIONS | | | |
|-----|------|-------------|-----------------------------------|---------|--------|
| P | LTR | DESCRIPTION | DATE | DWN | APVD |
| AF | 50 | L1 | ECR-06-023927(REDRAWN IN AUTOCAD) | 27JUN06 | HMR GP |



- CONTINUOUS STRIP ON REELS.
- DIMENSIONS IN BRACKETS ARE IN INCHES.
- FOR ADDITIONAL INFORMATION, SEE APPLICATION SPEC. 114-2002.
- CRIMP WIDTH: .110 F TYPE (AMPLIVAR PIGTAIL)
 CRIMP HEIGHT (±.002)=(TOTAL CMA+9,400)/190,500
 GENERAL APPLICATION GUIDELINES MUST BE FOLLOWED AS SPECIFIED IN CATALOG #82221
 FOR APPLICATOR INFORMATION CALL:1-800-722-1111
 FOR PRODUCT INFORMATION CALL:1-800-522-6752



SECTION A-A
 SCALE 20:1

| | |
|-----------|---------|
| TIN PLATE | 62000-2 |
| - | 62000-1 |
| FINISH | PART NO |

| | | | | |
|--|--|-------------------------|---|--------------|
| THIS DRAWING IS A CONTROLLED DOCUMENT. | | DWN RAGHAVENDRA 27JUN06 | Tyco Electronics Corporation Harrisburg, PA 17105-3608 | |
| DIMENSIONS: mm [INCHES] | TOLERANCES UNLESS OTHERWISE SPECIFIED: | CHK G.D.PORTA | NAME | |
| | 0 PLC ± - | APVD G.D.PORTA | SPLICE, AMPLIVAR | |
| | 1 PLC ± - | PRODUCT SPEC | 600-3000 CMA | |
| | 2 PLC ± - | APPLICATION SPEC | SIZE | CAGE CODE |
| | 3 PLC ± 0.38 [.015] | | A3 | 00779 |
| | 4 PLC ± - | | DRAWING NO | C-62000 |
| | ANGLES ± 1' 0" | | RESTRICTED TO | - |
| MATERIAL BRASS | FINISH SEE TABLE | WEIGHT - | CUSTOMER DRAWING | |
| | | | SCALE 10:1 | SHEET 1 OF 1 |
| | | | REV L1 | |