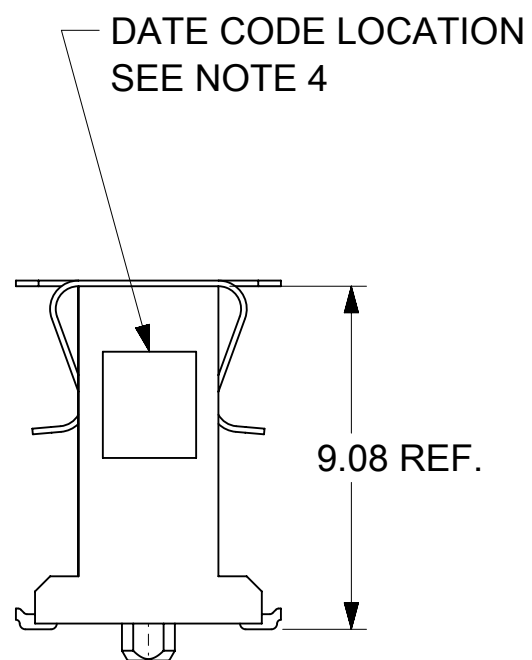
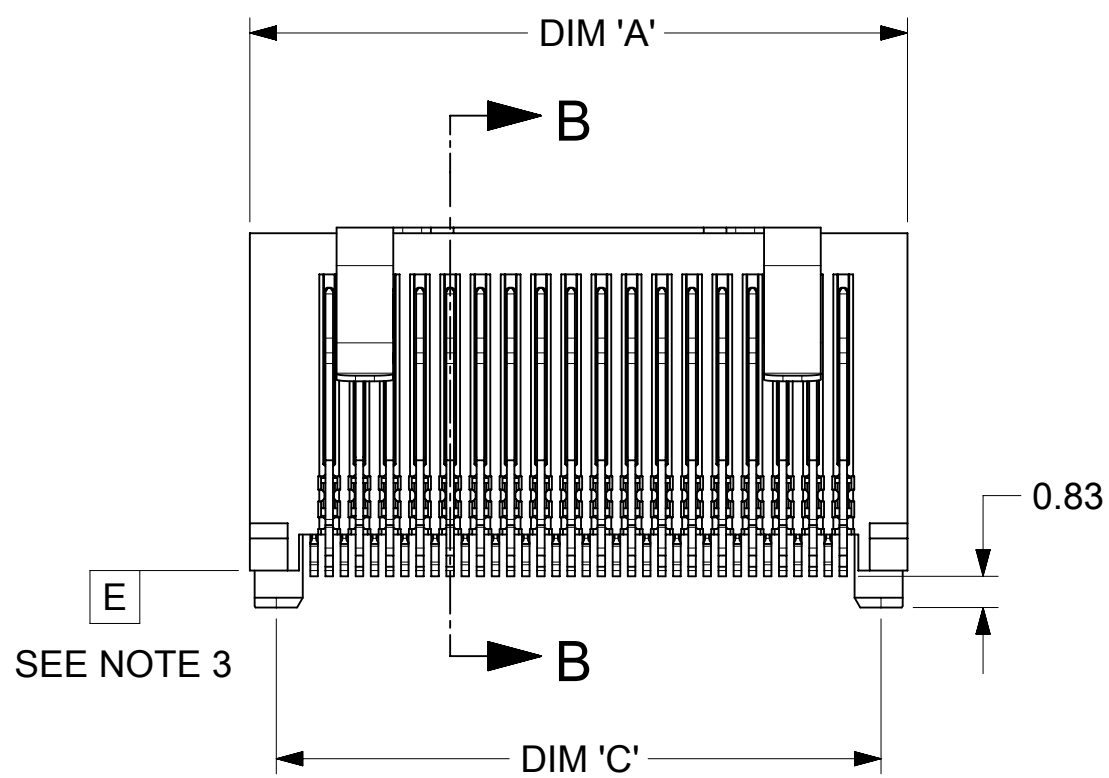
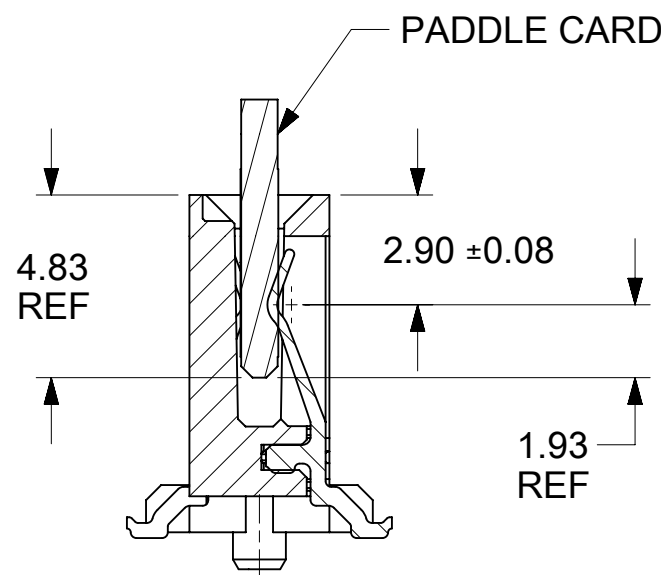
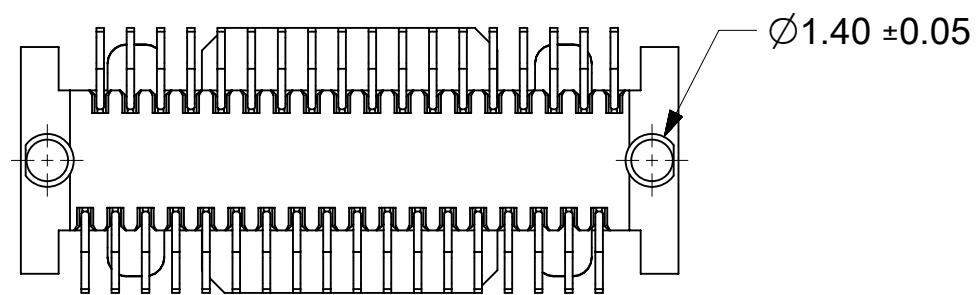


36 CIRCUIT ASSEMBLY SHOWN



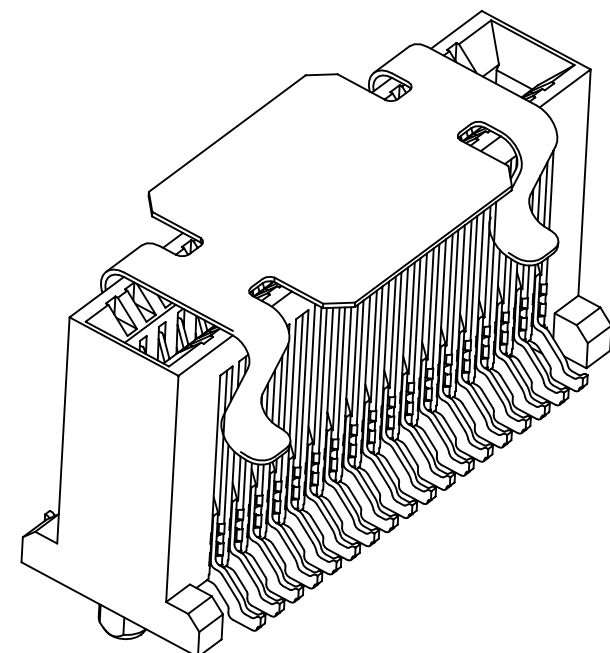
NOTES:

1. MATERIAL:
HOUSING - HIGH TEMPERATURE THERMOPLASTIC GLASS FILLED, UL 94V-0, BLACK
TERMINALS - COPPER ALLOY
2. TERMINAL PLATING:
OPTION 1
CONTACT AREA: 0.38µm HARD GOLD OVER 2.54µm NICKEL
SOLDER AREA: 2.54-5.09µm TIN OVER 1.27µm NICKEL
OPTION 2
CONTACT AREA: 0.76µm HARD GOLD OVER 2.54µm NICKEL
SOLDER AREA: 2.54-5.09µm TIN OVER 1.27µm NICKEL
3. TERMINAL SOLDER FEET TO BE COPLANAR WITHIN 0.10/.004 MEASURED FROM FRONT HOUSING STANDOFF (DATUM E)
4. DATE CODE: 4 DIGIT (3 DIGIT DAY, 1 DIGIT YEAR)
5. CIRCUIT IDENTIFIER: SEE APPROPRIATE INDUSTRY SPECIFICATION FOR LOCATION OF PIN 1
6. MATES WITH:
A. INTERNAL CABLE SERIES:
79575/74563/79576/74573/79536/74562/74569/74586
B. PADDLE CARD PCB: DO NOT BOTTOM OUT PCB IN THE CONNECTOR. SEE SECTION Z-Z.
- USE WITH APPROPRIATE INTERNAL SHELL FROM SD-76010-002
7. LITTLE ROCK PACKAGING PER PK-75577-001
CHENGDU PACKAGING PER PK-75577-002
8. CONFORMS TO PRODUCT SPECIFICATION PS-75783-001
9. CONFORMS TO APPLICATION SPECIFICATION AS-75783-001



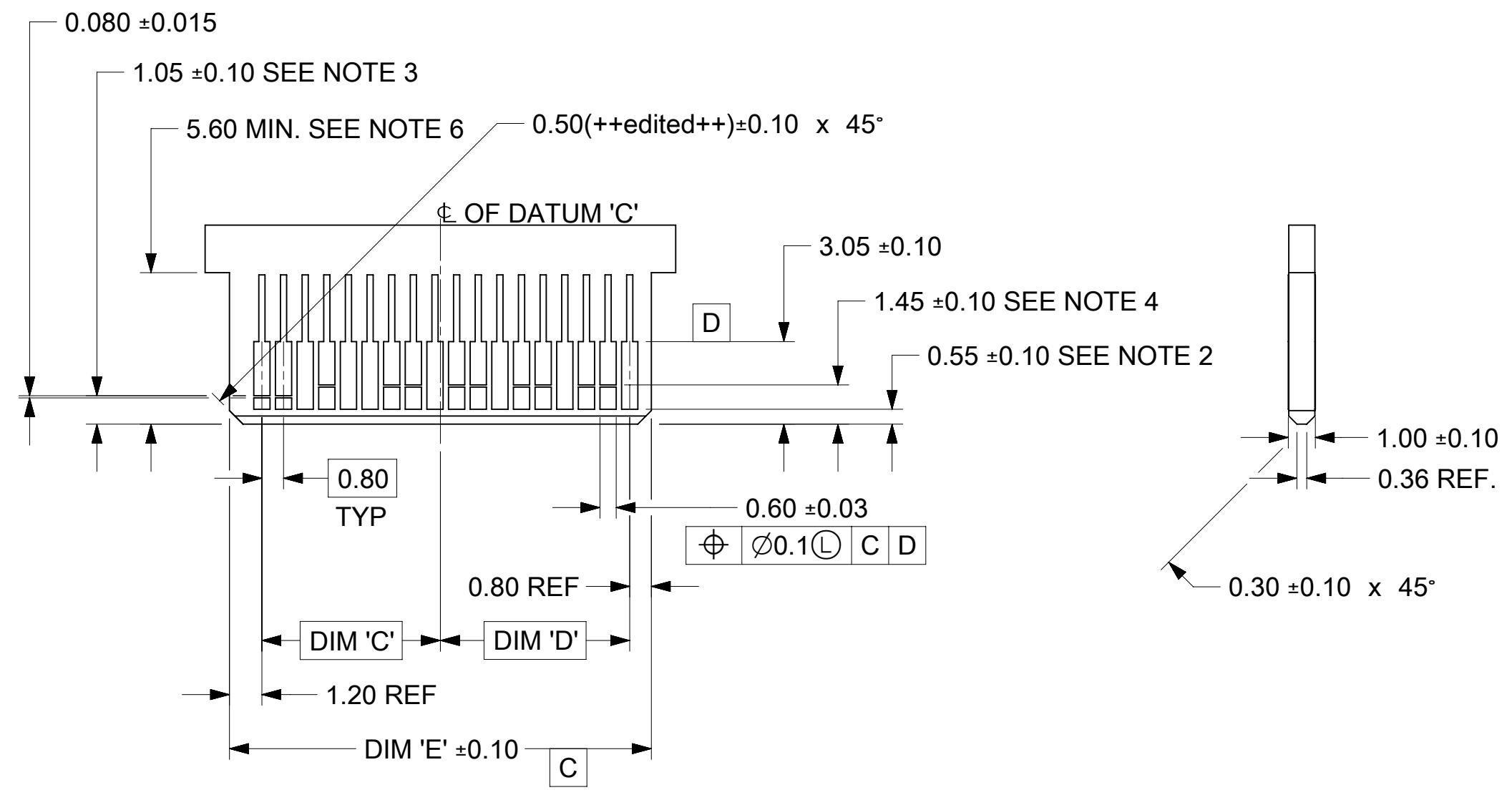
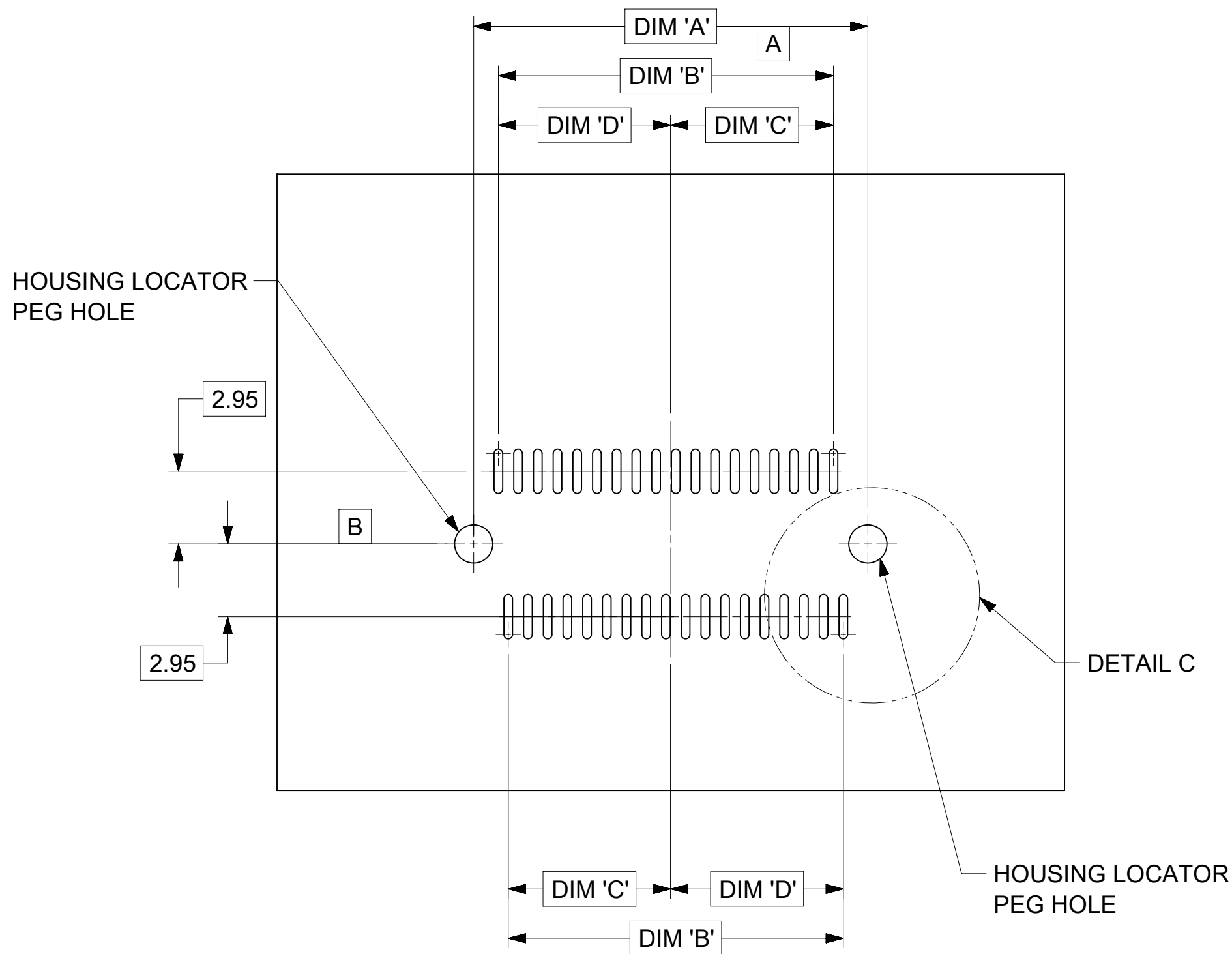
SECTION B-B

CIRCUIT SIZE	MAT'L NUMBER	PLATING OPTION	DIM 'A'	DIM 'B'	DIM 'C'
26	75577-1001	OPTION 1	13.40	11.80	12.00
26	75577-1005	OPTION 2	13.40	11.80	12.00
36	75577-1002	OPTION 1	17.40	15.80	16.00
36	75577-1006	OPTION 2	17.40	15.80	16.00
50	75577-1003	OPTION 1	23.00	21.40	21.60
50	75577-1007	OPTION 2	23.00	21.40	21.60
68	75577-1004	OPTION 1	30.20	28.60	28.80

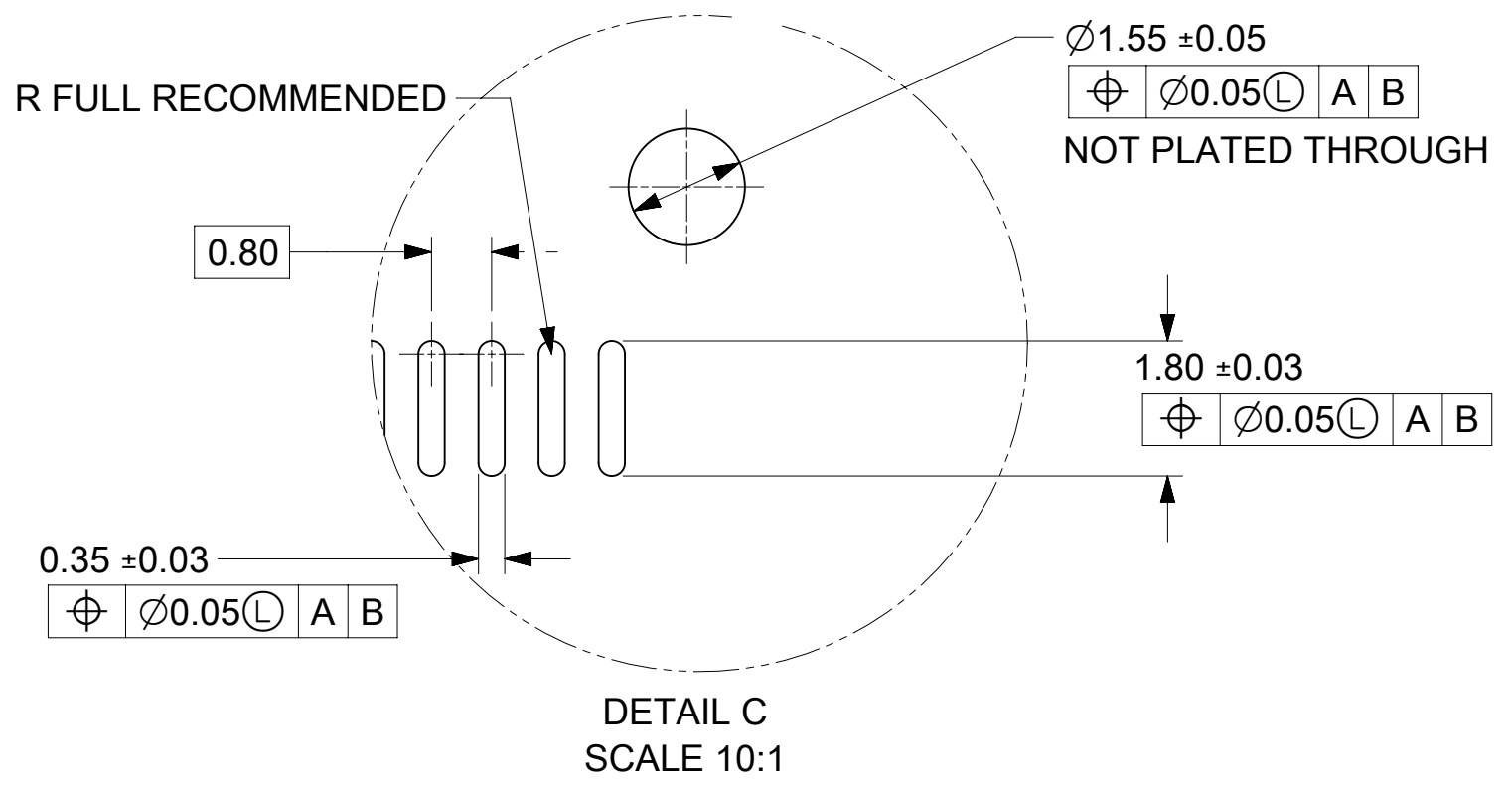


THIS DRAWING CONTAINS INFORMATION THAT IS PROPRIETARY TO MOLEX ELECTRONIC TECHNOLOGIES, LLC AND SHOULD NOT BE USED WITHOUT WRITTEN PERMISSION

DIMENSION UNITS mm	SCALE 5:1	CURRENT REV DESC: OBSOLETE PART NUMBER AS PER PCN#510579	molex		
GENERAL TOLERANCES (UNLESS SPECIFIED)		EC NO: 675088			
4 PLACES ±	MM	INCH	PRODUCT CUSTOMER DRAWING		
3 PLACES ±	MM	INCH	DOCUMENT NUMBER		
2 PLACES ± 0.13	MM	INCH	SD-75577-002		
1 PLACE ± 0.25	MM	INCH	DOC TYPE DOC PART REVISION		
0 PLACES ±	MM	INCH	PSD 001 E		
ANGULAR TOL ± 0.5 °	MM	INCH	SHEET NUMBER		
DRAFT WHERE APPLICABLE MUST REMAIN WITHIN DIMENSIONS	THIRD ANGLE PROJECTION	DRAWING SERIES C-SIZE 75577	MATERIAL NUMBER CUSTOMER SEE TABLE GENERAL MARKET		



36 CIRCUIT SHOWN
PATTERN FOR REPRESENTATION ONLY



- NOTES:
- FOR APPROPRIATE SHELL FOOT PRINT AND KEEP OUT AREAS, SEE SD-76010-002
 - PAD CONFIGURATION FOR FIRST MATE
 - PAD CONFIGURATION FOR SECOND MATE (HIGH SPEED SIGNALS)
 - PAD CONFIGURATION FOR THIRD MATE
 - FOR PIN ASSIGNMENTS AND MATING SEQUENCE (1ST, 2ND, 3RD), SEE APPLICABLE SPECIFICATION
 - MINIMUM STEP REQUIRED IF PCB MADE WIDER THAN CARD TONGUE
 - THESE ARE GENERIC DETAILS THAT DESCRIBES THE CONFIGURATION OF VARIOUS PCB DESIGN ELEMENTS. THE CUSTOMER MUST DETERMINE WHERE AND WHEN TO USE EACH ELEMENT TO ACCOMODATE THEIR SPECIFIC APPLICATION.
 - CHAMFER ROUGHNESS NOT TO EXCEED 3.17µM.
 - EDGECARD CHAMFER NOT TO GO THROUGH GOLD PAD.

CIRCUIT SIZE	DIMENSIONS				
	DIM 'A'	DIM 'B'	DIM 'C'	DIM 'D'	DIM 'E'
26	12.00	9.60	4.60	5.00	11.60
36	16.00	13.60	6.60	7.00	15.60
50	21.60	19.20	9.40	9.80	21.20
68	28.80	26.40	13.00	13.40	28.40

THIS DRAWING CONTAINS INFORMATION THAT IS PROPRIETARY TO MOLEX ELECTRONIC TECHNOLOGIES, LLC AND SHOULD NOT BE USED WITHOUT WRITTEN PERMISSION

DIMENSION UNITS mm	SCALE 5:1	CURRENT REV DESC: OBSOLETE PART NUMBER AS PER PCN#510579	molex		
GENERAL TOLERANCES (UNLESS SPECIFIED)		EC NO: 675088			
4 PLACES ±	MM	INCH	DRWN: SUGEEB	2021/08/02	PRODUCT CUSTOMER DRAWING
3 PLACES ±			CHK'D: GGA	2021/09/08	
2 PLACES ± 0.13			APPR: GGA	2021/09/08	DOCUMENT NUMBER SD-75577-002
1 PLACE ± 0.25			INITIAL REVISION:		
0 PLACES ±			DRWN: JLSWENSON	06/07/07	DOC PART 001
ANGULAR TOL ± 0.5°			APPR: MBANAKIS	06/07/07	REVISION E
DRAFT WHERE APPLICABLE MUST REMAIN WITHIN DIMENSIONS	THIRD ANGLE PROJECTION	DRAWING C-SIZE	SERIES 75577	MATERIAL NUMBER SEE TABLE	CUSTOMER GENERAL MARKET
					SHEET NUMBER 2 OF 2