

FAA/PMA

REV.	DESCRIPTION	DATE	APPROVED
1	RELEASED		
2	REMOVED ITEM 12, OVERLAY - NAMEPLATE	02/10/10	RS
3	REMOVED ITEM 8 & 10 WAS 5	00/09/18	RS
4	MAX WEIGHT WAS 6.5 OZ	99/04/23	RS
5	ITEM 5 WAS 42765-010	98/12/01	RS

CONSTRUCTION
MAIN CONTACTS
CONFIGURATION
VOLTAGE-NOMINAL
CURRENT-RES.

AUX. CONTACTS
CONFIGURATION
VOLTAGE
CURRENT-RES.

COIL DATA
DUTY CYCLE
NOM. COIL VOLTAGE
PICKUP MAX.
DROPOUT VOLTAGE
COIL CURRENT (HOLD)
OPERATE TIME AT 28 VDC 25°C
RELEASE TIME AT 28 VDC 25°C

ENVIRONMENTAL DATA
AMBIENT TEMP.
ALTITUDE
SHOCK
VIBRATION
ACCELERATION

LIFE ELECTRICAL
LIFE MECHANICAL
WEIGHT MAX.

GASKET SEALED, VENTED
SPDT SIDE STABLE
28 VDC
60 AMP

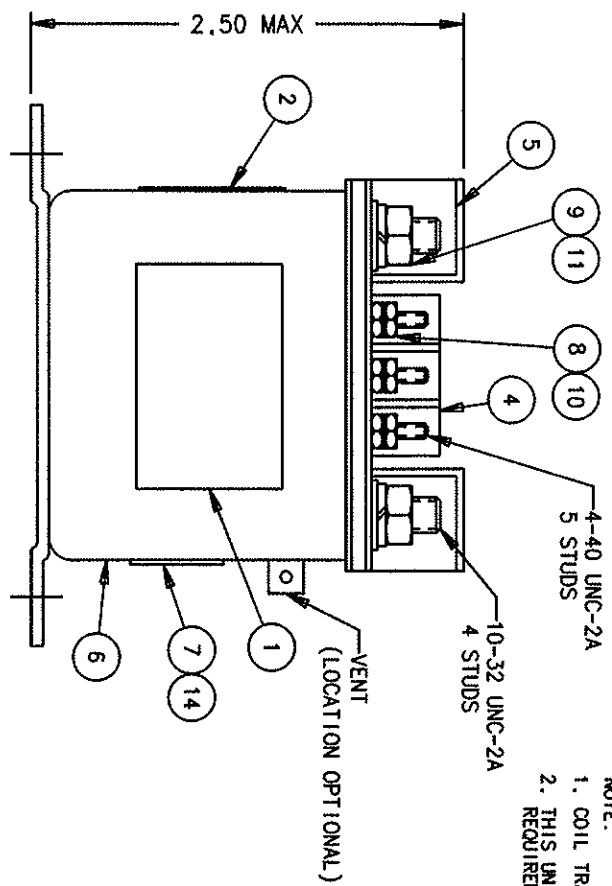
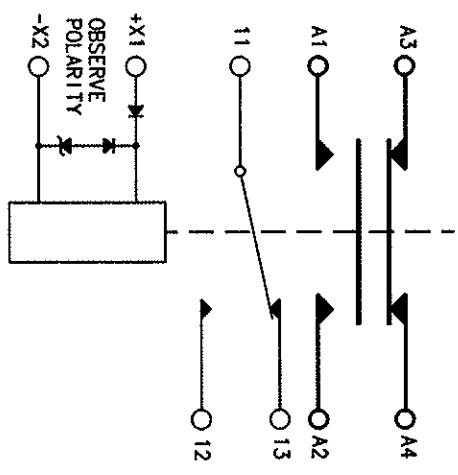
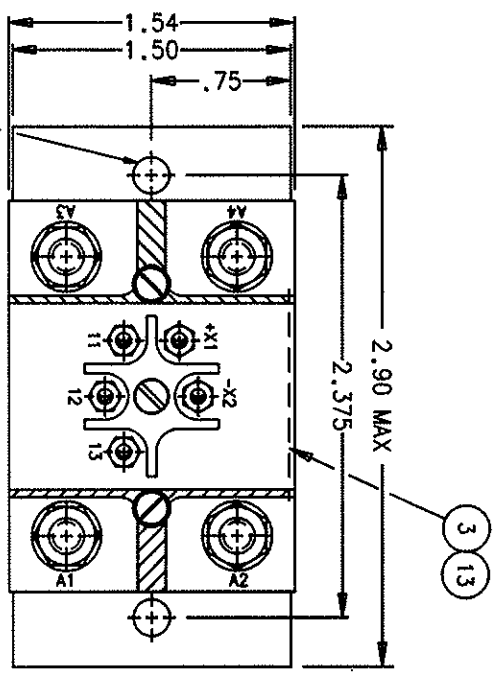
SPDT
28 VDC OR 115 VAC 400 HZ
5 AMP

CONTINUOUS
28 VDC
15 VDC AT 25°C
2.5 - 6.5 VDC AT 25°C
2 AMP MAX. AT 28 VDC AT 25°C
TYPICAL 10 MS
MAX 20 MS
TYPICAL 8 MS
MAX. 15 MS

- 55°C TO + 71°C
50,000 FT. MAX.
25 G'S MAX. 6 TO 9 MILLISECONDS
10 G'S SINE
10 G'S

50,000 CYCLES MIN.
100,000 CYCLES MIN.
7.0 OZ.

- NOTE:
1. COIL TRANSIENT VOLTAGE LIMITED TO ± 45 VOLTS
2. THIS UNIT MEETS THE MATERIAL AND WORKMANSHIP REQUIREMENTS OF MIL-R-6106



REF. NO.	QTY	PART OR IDENTIFYING NO.	NOMENCLATURE OR DESCRIPTION	FSK NO.	DEATING OR SPECIFICATION	MATERIAL OR NOTE
14	1	39529-024	OVERLAY			
13	1	39529-007	OVERLAY			
12						
11	4	51810-054	WASHER - LOCK, NO.10, SPLIT			BRONZE
10	10	51804-014	WASHER - LOCK, NO.4, SPLIT			BRONZE
9	4	50410-054	NUT 10-32 X 5/16 X 9/64 HEX			BRASS
8	10	50404-044	NUT 4-40 X 5/32 X 1/16 HEX			BRASS
7	1	58400-168	PLATE - FAA/PMA			
6	1	42559-010	CONTACTOR ASSEMBLY - PRIMARY			
5	2	42765-040	TERMINAL SHIELD ASSEMBLY			
4	1	42775-010	TERMINAL SHIELD ASSEMBLY			
3	1	42775-091	PLATE - WIRING DIAGRAM			
2	1	25695-001	PLATE - WARNINGS			
1	1	16043-001	PLATE - NAME			

REF. CANADAIR

UNLESS OTHERWISE SPECIFIED DIMENSIONS ARE IN INCHES TOLERANCES OR

2 PL. DEC.13 PL. DEC. ANGLES

±.06 ±.010 ±1°

SCALE 1/1 SHEET

DR BY CSC 02/10/11
CHK BY 02/10/11
ENGR 02/10/11
MFG 02-10-11
SIZE CODE IDENT
74063

TYCO Electronics
121 Horton Division, 175 N. Diamond Street, Mansfield, Ohio 44902

CONTACTOR - D.C. SPDT
60 AMPS
NN-233C

DWG NO. NN-233C

REF TYCO P/N 0-1616095-2