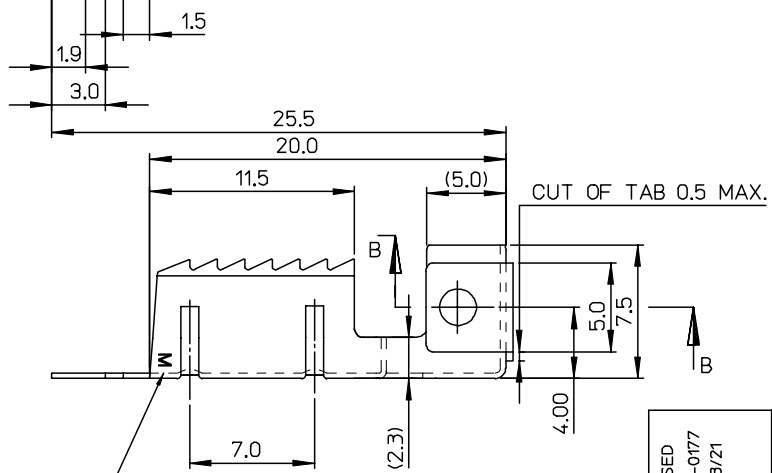
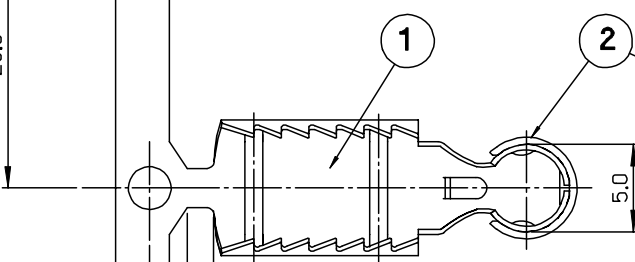
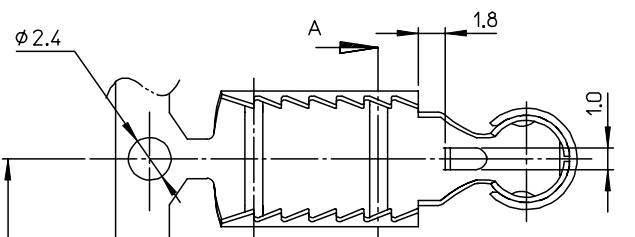


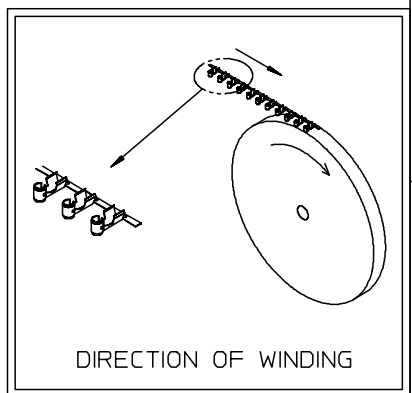
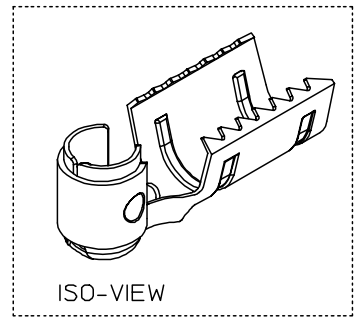
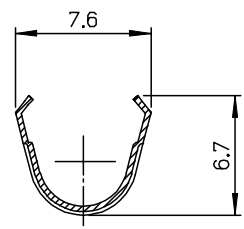
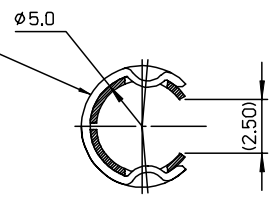
DWG. NO. SD-49766-001
 SIMILAR ITEM
 PROJECT NO.
 DO NOT SCALE DRAWING
 DIMENSION IN METRIC



NOTES
 1. PART NO. AND MATERIAL

NO	NAME	MATERIAL NO.	PART NO.	MATERIAL	THICKNESS
1	BODY	///	///	STAINLESS-STEEL(SUS 304)	0.3
2	RING	///	///	STAINLESS-STEEL(SUS 301)	0.4

2. INITIAL INSERTION FORCE : 5.0 Kg.f MAX.
 EXTRACTION FORCE : INITIAL : 2.0 - 4.5 Kg.f
 6TH : 1.2 Kg.f Min.



TRADE MARK
(MK1)

NEW RELEASED	QUALITY SYMBOLS
ECN NO. KOR2005-0177	MAJOR
DRWN: J.B.JIN 05/03/21	CRITICAL
CHK: W.Y.YANG	
APPR: C.W.LEE	
DESCRIPTION	
REV	

GENERAL TOLERANCES: (UNLESS SPECIFIED)	
4 PLACES	±0.
3 PLACES	±0.
2 PLACES	±0.30
1 PLACE	±0.30
ANGULAR: ± °	
DRAFT WHERE APPLICABLE MUST REMAIN WITHIN DIMENSIONS	

SCALE 4:1	DESIGN UNITS <input checked="" type="checkbox"/> mm <input type="checkbox"/> INCH
DRAWN BY & DATE J.B.JIN 04/12/08	
CHECKED BY & DATE W.Y.YANG 04/12/08	
APPROVED BY & DATE C.W.LEE 04/12/08	
CAD FILENAME S497665001AA.MI	MATERIAL NO. 497665001

DIMENSIONS: <input type="checkbox"/> mm <input type="checkbox"/> INCH <input checked="" type="checkbox"/> mm ONLY		SHT REV
THIRD ANGLE PROJECTION		REVISE ON CAD ONLY
TITLE: 5.0 DIA SPARK PLUG TERMINAL (BODY ASS'Y)		
MOLEX INCORPORATED		
DRAWING NO. SD-49766-001	SHEET NO. 1 OF 1	
THIS DRAWING CONTAINS INFORMATION THAT IS PROPRIETARY TO MOLEX INCORPORATED AND SHOULD NOT BE USED WITHOUT WRITTEN PERMISSION.		SIZE B