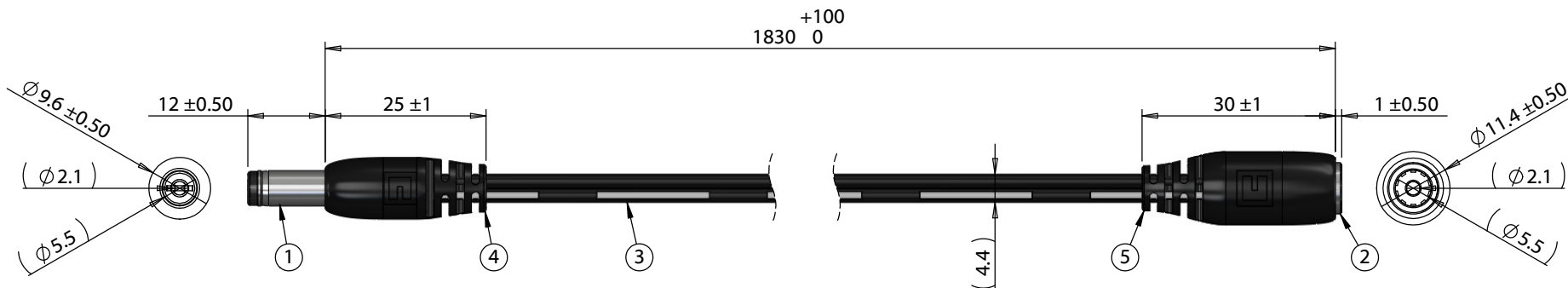


ITEM NO.	PART NUMBER	DESCRIPTION	QTY.	COMPONENT NOTES
1	50-00540	Connector, dc plug, 5.5x2.1x23 mm, molding style, spring contacts, nickel plated, 105° C	1	
2	50-00541	Connector, dc jack, 5.5x2.1x17.6 mm, molding style, spring contacts, nickel plated, 105° C	1	
3	30-01248	Wire, 2C, 18 AWG, UL4384, 300V, 105 °C, 4.4 mm, VW-1, LSZH, XLPE	1	
4	24-00003	Overmold	1	TPE, 105 °C, black
5	24-00004	Overmold	1	TPE, 105 °C, black



Wiring Diagram		
50-00540	wire color	50-00541
center	black with stripe	center
sleeve	black	sleeve

Revision:	Date:	Description:	Prepared:	Notes: RoHS compliant	<b>TENSILITY</b> tel 1.541.323.3228 800 877.670.7118 fax 1.541.323.4202 web tensility.com
A	10/03/2018	Initial release	Verified:		
			Dimensions are in millimeters. Tolerances: X: ± 0.5 mm X.X: ± 0.3 mm X.XX: ± 0.05 mm	Low smoke, zero halogen	Size: Part number: A 10-03134
				Description: Cable, 1830 mm, 5.5x2.1x12 mm 50-00540 dc plug to 5.5x2.1 50-00541 jack, 18 AWG, 30-01248, LSZH	

5

4

3

2

1