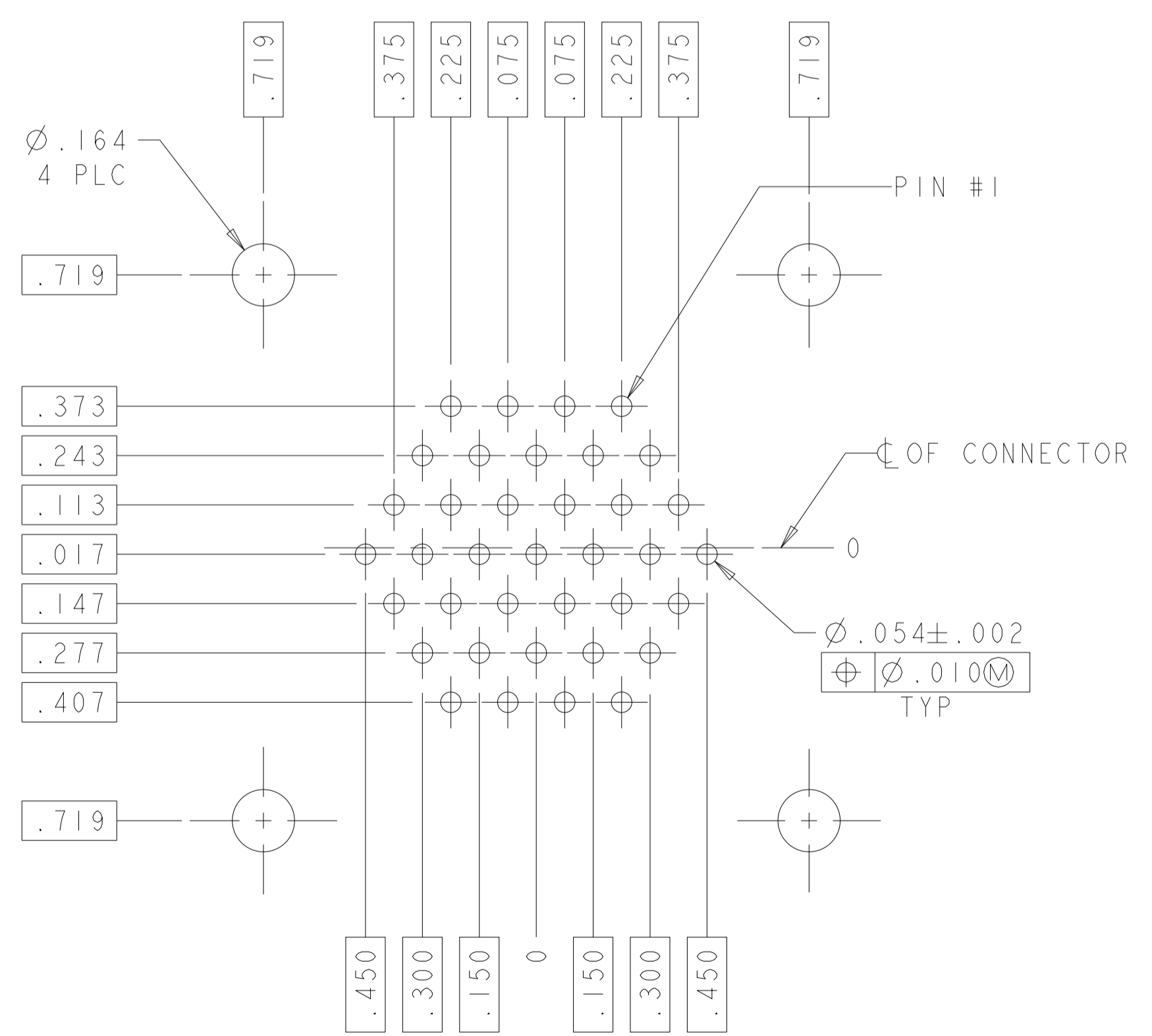
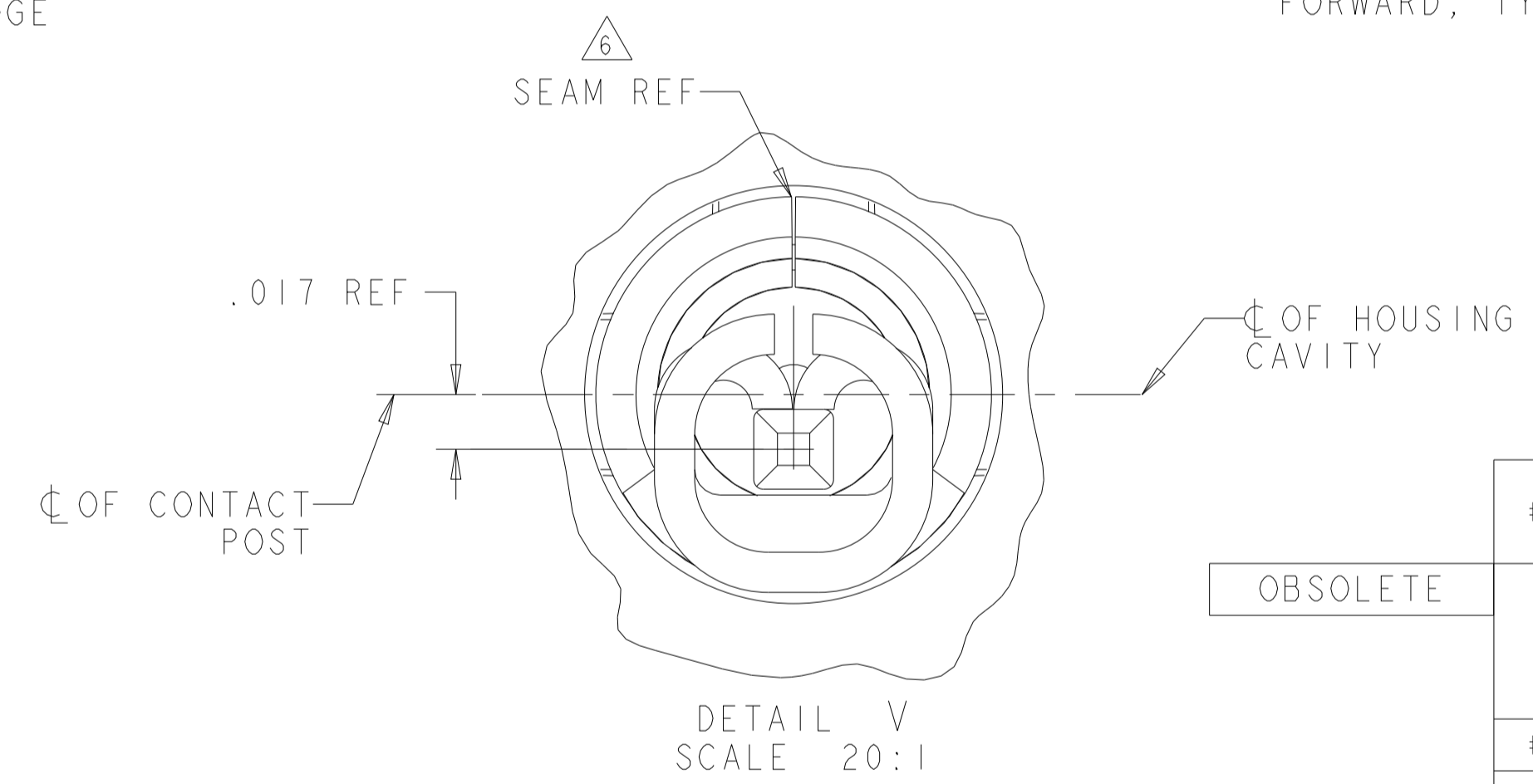
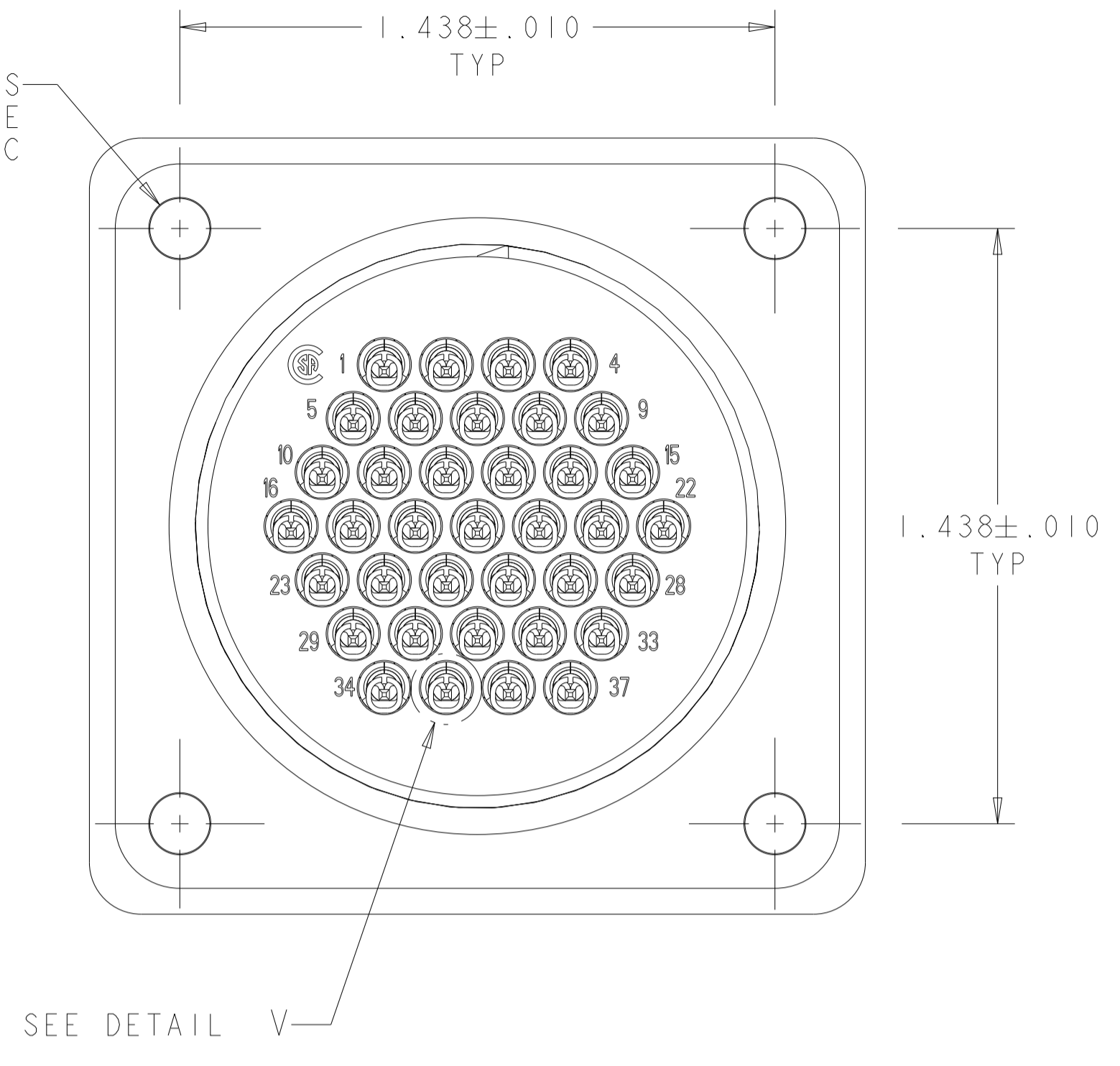
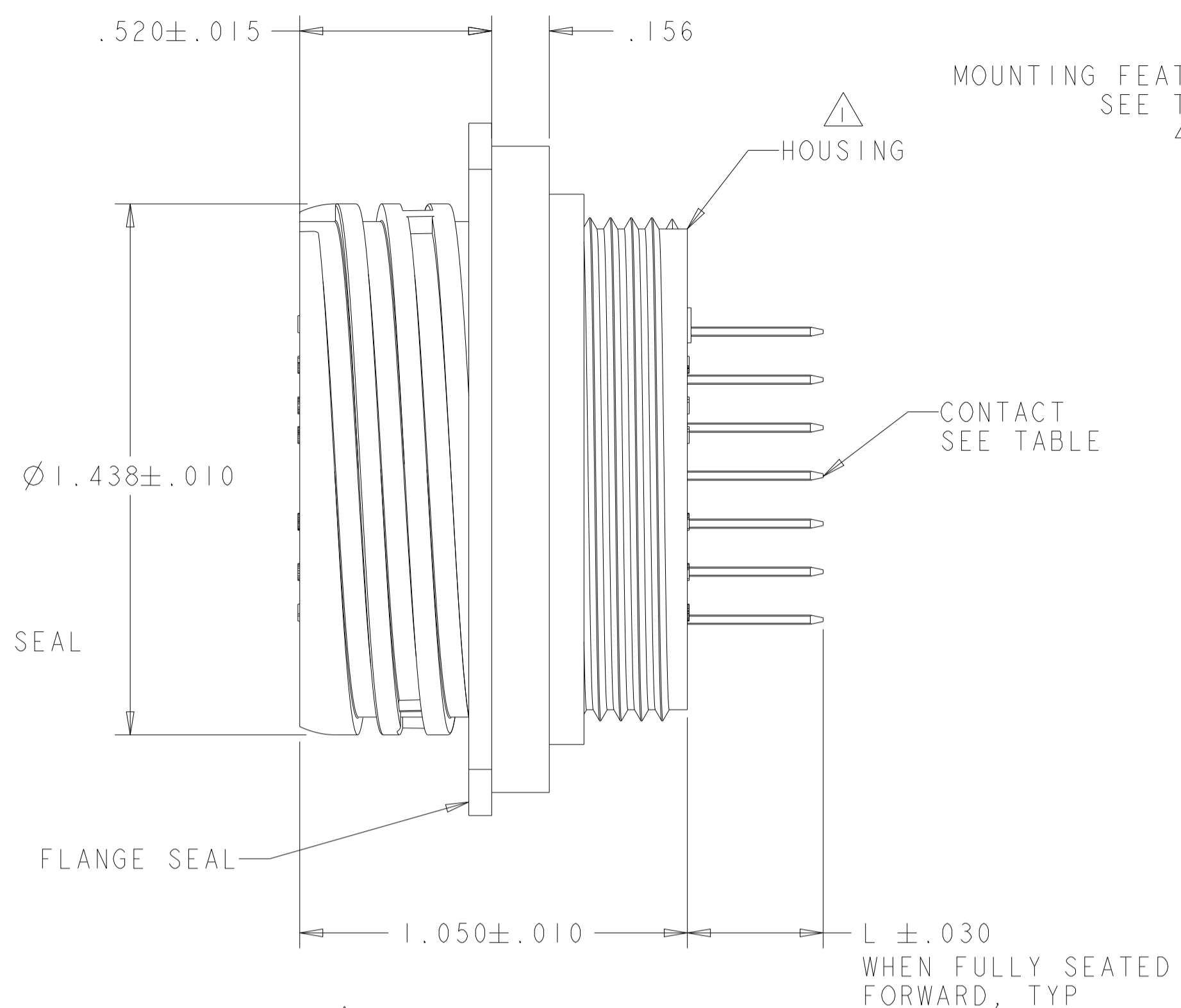
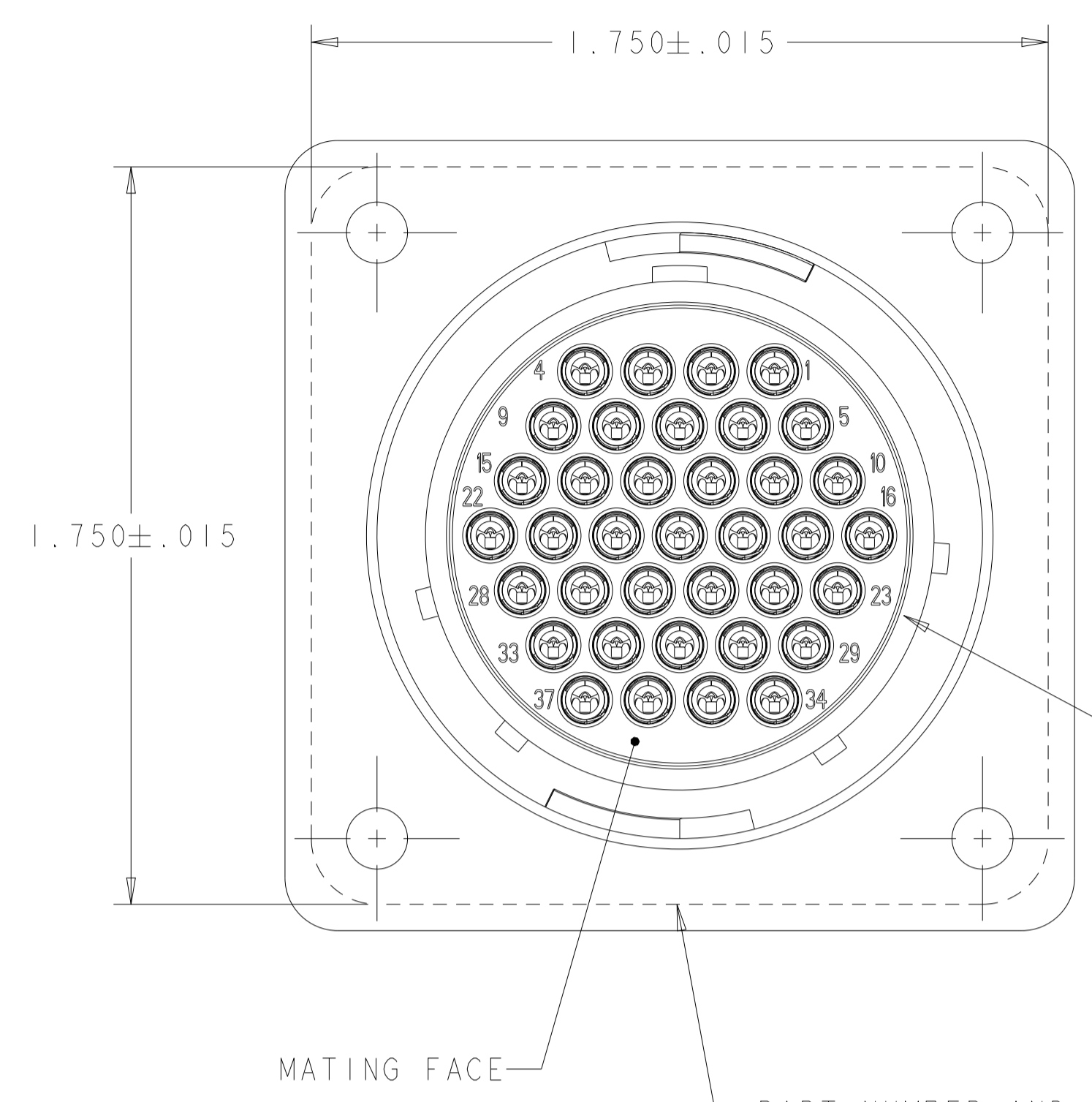


REVISIONS					
P	LTN	DESCRIPTION	DATE	DWN	APVD
	AH1	REVISED PER ECR-22-144105	29JUN2022	RK	MZ



	#4-40 THREADED INSERTS	NO	YES			
OBSOLETE	Ø .125 HOLES	NO	NO	.547	7	ALL
		NO	NO	.490	7	ALL
OBSOLETE	Ø .125 HOLES	YES	YES	.368	7	1-17, 19-37
		NO	NO	.557	3	1-9, 11-31, 33-37
OBSOLETE	Ø .125 HOLES	NO	YES	.557	3	ALL
		NO	NO	.368	7	ALL
		NO	NO	.557	7	ALL
		NO	YES	.368	5	1-10, 12-29, 31-37
		NO	YES	.368	5	4, 8, 10, 23, 31, 34-36
		NO	YES	.368	5	1-10, 12-29, 31-37
		NO	YES	.368	5	1-22, 24-37
		NO	NO	.368	5	ALL
		NO	YES	.368	5	1-10, 12-29, 31-37
		NO	YES	.368	5	1-22, 24-37
		NO	YES	.368	4	1-10, 12-29, 31-37
		NO	NO	.368	3	ALL
OBSOLETE	Ø .125 HOLES	NO	YES	.368	4	1-22, 24-37
		NO	YES	.368	4	4, 8, 10, 23, 31, 34-36
OBSOLETE	Ø .125 HOLES	NO	YES	.368	4	1-10, 12-29, 31-37
		NO	NO	.368	3	ALL
OBSOLETE	Ø .125 HOLES	NO	YES	.368	4	1-22, 24-37
		NO	YES	.368	4	4, 8, 10, 23, 31, 34-36
OBSOLETE	Ø .125 HOLES	NO	YES	.368	4	1-10, 12-29, 31-37
		NO	NO	.368	4	ALL
OBSOLETE	Ø .125 HOLES	NO	NO	.557	3	ALL
		NO	NO	.557	3	ALL
MOUNTING FEATURES	FLANGE SEAL	PERIPHERAL SEAL	L	CONTACT FINISH	SELECT LOADED IN POSITIONS	PART NUMBER

RECOMMENDED PC BOARD LAYOUT

THIS DRAWING IS A CONTROLLED DOCUMENT. DWN S. WELDON 26FEB2003  
 CHK S. HEADER 26FEB2003  
 DIMENSIONS: INCHES TOLERANCES UNLESS OTHERWISE SPECIFIED:  
 0 PLC ±.000  
 1 PLC ±.000  
 2 PLC ±.000  
 3 PLC ±.000  
 4 PLC ±.000  
 ANGLES ±.0000  
 FINISH ±.0000

APVD S. HEADER 26FEB2003  
 PRODUCT SPEC  
 APPLICATION SPEC  
 MATERIAL  
 WEIGHT  
 CUSTOMER DRAWING

NAME RECEPTACLE ASSEMBLY, POSTED, REVERSE SEX, SERIES 1, 23-37, CPC  
 SIZE CAGE CODE DRAWING NO RESTRICTED TO  
 A 100779 C=208224  
 SCALE 3:1 SHEET 1 OF 2 REV AH1

TE Connectivity

REVISIONS				
P	LTN	DESCRIPTION	DATE	APVD
-	-	SEE SHEET 1	-	-

- △ HOUSING: THERMOPLASTIC, COLOR: BLACK.
- △ PERIPHERAL SEAL: ELASTOMER, COLOR: BLACK.
- △ CONTACT:  
 BODY - BRASS, .000030 MIN GOLD FOR A LENGTH OF .200 MIN FROM MATING END, GOLD FLASH ON REMAINDER, BOTH OVER .000050 MIN NICKEL.  
 POST - BRASS, .000100 MIN TIN-LEAD OVER .000050 MIN NICKEL.
- △ CONTACT:  
 BODY - BRASS, .000100 MIN TIN-LEAD OVER .000050 MIN NICKEL.  
 POST - BRASS, .000100 MIN TIN-LEAD OVER .000050 MIN NICKEL.
- △ CONTACT:  
 BODY - BRASS, .000100 MIN TIN OVER .000050 MIN NICKEL.  
 POST - BRASS, .000100 MIN TIN OVER .000050 MIN NICKEL.
- △ .009 MAXIMUM CONTACT LEAD-IN SEAM GAP PERMISSIBLE ON MATING FACE END.
- △ CONTACT:  
 BODY - BRASS, .000030 MIN GOLD FOR A LENGTH OF .200 MIN FROM MATING END, GOLD FLASH ON REMAINDER, BOTH OVER .000050 MIN NICKEL.  
 POST - BRASS, .000100 MIN TIN.
- △ FLANGE SEAL: ELASTOMER, COLOR: BLACK.

THIS DRAWING IS A CONTROLLED DOCUMENT.		OWN S. WELDON 26FEB2003	
		CHK S. HEADER 26FEB2003	
DIMENSIONS: INCHES	TOLERANCES UNLESS OTHERWISE SPECIFIED:	APVD S. HEADER 26FEB2003	NAME RECEPTACLE ASSEMBLY, POSTED, REVERSE SEX, SERIES 1, 23-37, CPC
0 PLC ±.0	1 PLC ±0.0	PRODUCT SPEC	RESTRICTED TO
2 PLC ±0.00	3 PLC ±0.000	APPLICATION SPEC	SIZE CAGE CODE DRAWING NO
4 PLC ±0.0000	ANGLES ±.0000	WEIGHT	A 00779 C=208224
FINISH		CUSTOMER DRAWING	SCALE 3:1 SHEET 2 OF 2 REV AH1