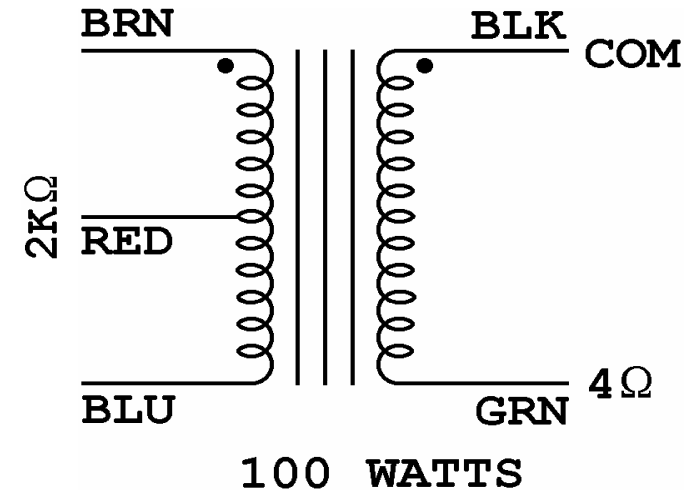
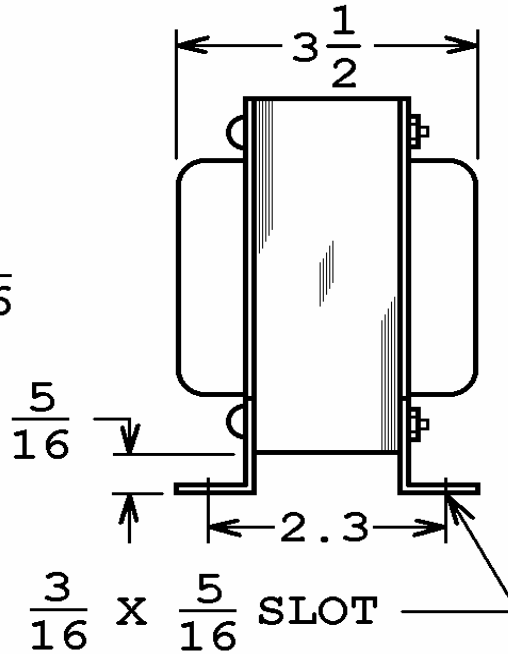
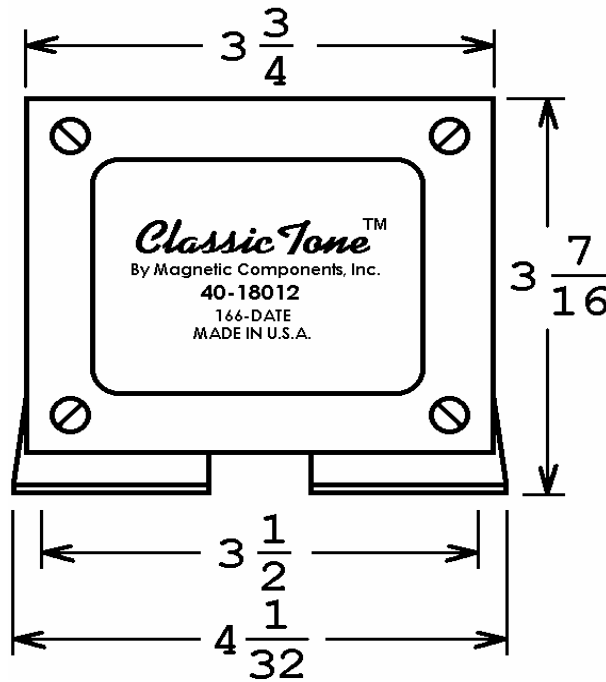


This drawing is the property of Magnetic Components, Inc. and shall not be reproduced, in whole or in part, without the written permission of Magnetic Components, Inc.

REVISIONS			
LTR	DESCRIPTION	DATE	APPROVED
A	ADD PRIMARY IMPEDANCE	09/02/09	M.S.
B	ADD ClassicTone, FENDER P/N	01/07/10	M.S.



DRAWING No. :  
OOA-85214  
DIV :  
LOC : SCHILLER PK

UNLESS OTHERWISE SPECIFIED		SIGNATURES		DATE	MAGNETIC COMPONENTS, INC.		TITLE		REV
ALL DIMENSIONS IN INCHES DO NOT SCALE DRAWING		DRAWN : <i>M.S.</i>		25 JUN 09			100W OUTPUT		
CHECK :									
FRACTIONS +/-		APPR : <i>M. Sacketa</i>		25 JUN 09	CAGE	50508	SIZE	PART No.	
.X = +/-							A	40-18012	B
.XX = +/-					SCALE	NONE			
.XXX = +/-									
ANGLES = +/-									
								SHEET :	

FENDER P/N :  
022889 (CORRECT P/N)  
022899  
125A29A