

6

5

4

3

2

1

E

E

D

D

C

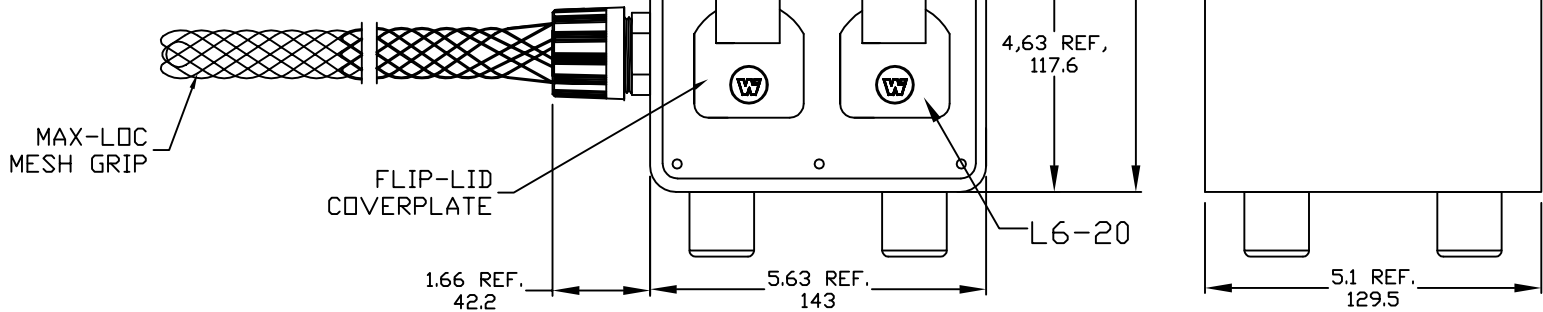
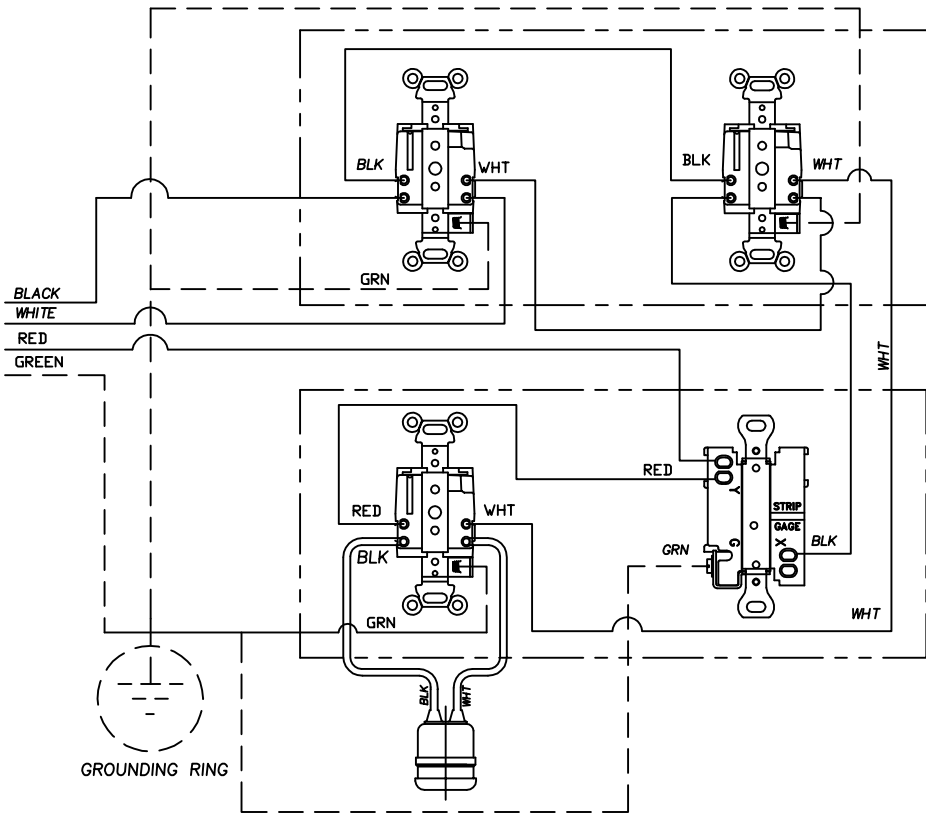
C

B

B

A

A



CUSTOMER DRAWING EC NO: WNA2009-0738 DRWN: HKNEELAN 5/8/09 CHKD: HKNEELAN 2009/05/18 APPR: DTTITUS 2009/06/11	QUALITY SYMBOLS $\nabla=0$ $\nabla C=0$	GENERAL TOLERANCES (UNLESS SPECIFIED)		DIMENSION STYLE INCH	SCALE NTS	DESIGN UNITS INCH	THIRD ANGLE PROJECTION
		4 PLACES ±--- ±---	mm INCH	DRAWN BY DATE HKNEELAN 2009/05/08	TITLE ILLUMINATED OUTLET BOX 3290 W/(3) L5-15 RCPTS (1) L6-20 RPCT & MESH		
		3 PLACES ±--- ±---	CHECKED BY DATE HKNEELAN 2009/05/18	MOLEX INCORPORATED			
		2 PLACES ±--- ±---	APPROVED BY DATE DTTITUS 2009/05/08	DOCUMENT NO. SD-130135-013			
		1 PLACE ±--- ±---	MATERIAL NO. 1301350357	SHEET NO. 1 OF 1			
A	DRAFT WHERE APPLICABLE MUST REMAIN WITHIN DIMENSIONS	SIZE A	THIS DRAWING CONTAINS INFORMATION THAT IS PROPRIETARY TO MOLEX INCORPORATED AND SHOULD NOT BE USED WITHOUT WRITTEN PERMISSION				

6

5

4

3

2

1